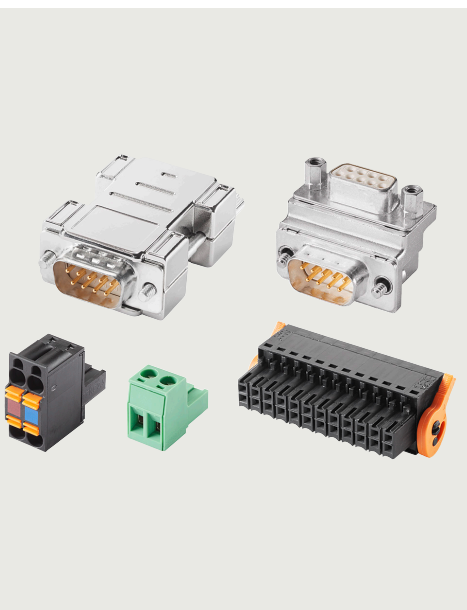


Accessories



6/2	Batteries
6/5	Fixing elements
6/10	Labeling strips
6/14	Input devices, cables
6/30	Input tools
6/35	HMI connecting components
6/43	Power supply units, power supply cords
6/48	Back covers
6/50	Protective films
6/68	Protective covers, dust caps, INOX frames
6/75	Service sets
6/82	Storage media
6/94	Transport and storage
6/97	Distributor
6/98	Additional accessories
6/100	Industrial Wireless LAN, Access Control with RFID
6/100	<u>Access points IEEE 802.11n</u>
6/103	SCALANCE W761 RJ45 for the control cabinet
6/104	SCALANCE W774 RJ45 for the control cabinet
6/105	SCALANCE W774 M12 EEC for an extended range of ambient conditions
6/106	KEY-PLUG W700, CLP W700
6/107	<u>Access points IEEE 802.11ax</u>
6/107	SCALANCE WAM763-1 for use in control cabinet
6/108	SCALANCE WAM766-1 for indoor use
6/109	SCALANCE WAM766-1 EEC for an extended range of ambient conditions
6/110	<u>SIMATIC RF1000</u>
6/110	RF1040R
6/111	RF1060R
6/112	RF1070R
6/113	<u>Transponders</u>
6/113	MDS E600
6/114	<u>Process coupling</u>
6/114	Connecting cables
6/122	Connecting cable 830-1T
6/123	IE TP cord
6/124	RS485 bus connector
6/125	IE FC RJ45 plug 2 x 2, Cat5e
6/126	IE FC RJ45 plugs 4 x 2, Cat6a
6/127	IE FC TP cable 2 x 2
6/129	IE FC TP cable 4 x 2

Accessories

Batteries

Overview



HMI accessories, battery, accumulator

Batteries and accumulators

The following batteries and accumulators are available:

- Rechargeable buffer battery
- Button cell
- Main rechargeable battery

Note:

Transporting lithium batteries by air is not possible at all, or only feasible under restricted conditions.

When ordering replacements, please allow transport times of up to 6 months depending on the region (outside the EU).

Please read the notes under "More information".

Ordering data

Article No.

Rechargeable buffer battery for Mobile Panel for wired Mobile Panels	6AV6671-5AD00-0AX0
Main rechargeable battery for Mobile Panel IWLAN	6AV6671-5CL00-0AX1
Lithium battery for SIMATIC HMI and S7	W79084-E1001-B2

Technical specifications

Article number	6AV6671-5AD00-0AX0 Buffer battery Mobile Panel	6AV6671-5CL00-0AX1 Main battery Mobile Panel IWLAN	W79084E-1001B- 2 Lithium battery SIMATIC HMI and C7
General information			
Product type designation	Rechargeable back-up battery Mobile Panel	Main battery Mobile Panel IWLAN	Lithium battery
Installation type/mounting			
Wall mounting/direct mounting	Yes; in HMI devices, battery compartment	Yes; in HMI devices, battery compartment	Yes; in HMI devices, battery compartment
Supply voltage			
Rated value (DC)	3.6 V	7.2 V	3.6 V
Accumulator			
Charge status display	No	No	No
Rechargeable	Yes	Yes	Yes
Capacity	1.15 A·h	5.1 A·h	1.6 A·h
Lithium-ion	Yes; 1/CP7/34/50 01 CGA	Yes; ICR18650-26J	Yes; SL-361
Special design	Yes; flat	Yes; bent	Yes; 2/3 AA
Degree and class of protection			
IP (all-round)		IP20	
Standards, approvals, certificates			
CE mark	Yes	Yes	
UL approval	Yes	Yes	
cULus	Yes	Yes	
KC approval		No; unnecessary	
EAC (formerly Gost-R)	No	No	
CCC	No	No	
RoHS conformity	Yes	Yes	Yes
China RoHS compliance	Yes		
Ambient conditions			
Ambient temperature during operation			
• min.	0 °C; Don't charge below	0 °C; Don't charge below	0 °C
• max.	55 °C	45 °C	55 °C
Relative humidity			
• Operation, max.	90 %	90 %	90 %
Accessories			
belongs to product			SIMATIC S5
Mechanics/material			
Material			
• Plastic		Yes; Enclosure, black	
Dimensions			
Width	35 mm	75 mm	
Height	50 mm	78 mm	
Thickness	10 mm	33 mm	
Length			33 mm
Diameter			14.7 mm
Weights			
Weight (without packaging)	38 g	320 g	12 g
Scope of supply			
Delivery quantity in pieces	1; incl. 65 mm connecting cable	1; with ejector	1; incl. 220 mm connecting cable

Accessories

Batteries

Technical specifications

Article number	6AV6671-5AD00-0AX0	6AV6671-5CL00-0AX1	W79084E-1001B- 2
	Buffer battery Mobile Panel	Main battery Mobile Panel IWLAN	Lithium battery SIMATIC HMI and C7
Other			
Merchandise	No; 1S1P CQA 103450A	No; 2S2P ICR18650-26J / 11273-02	Yes; SL2361 PGHK
Manufacturer name	SIEMENS AG	SIEMENS AG	Tadiran Batteries GmbH
Manufacturer's address	Gleiwitzerstraße 555, 90475 Nuremberg, Germany	Gleiwitzerstraße 555, 90475 Nuremberg, Germany	Industriestr. 22, 63654 Büdingen, Germany
contacting the manufacturer	Email: simatic_hmi_panel_helpdesk. i-ia@siemens.com	Email: simatic_hmi_panel_helpdesk. i-ia@siemens.com	Email: anfrage@distrelec.de
Target devices	for Mobile Panel DP cabled, Mobile Panel PN cabled, Mobile Panel 277 IWLAN, Mobile Panel 277F IWLAN	for Mobile Panel 277 IWLAN, Mobile Panel 277F IWLAN, Mobile Panel 277 IWLAN V2, Mobile Panel 277F IWLAN V2, Mobile Panel 277F IWLAN (RFID tag)	For TD17, OP17, OP25, OP27, OP35, OP37, TP27, TP37, OP/TP270, MP270, MP270B, MP370
Note:	Dispose of battery (lithium) properly; hazardous product!	Dispose of battery (lithium) properly; hazardous product!	Dispose of battery (lithium) properly; hazardous product!

More information

Accumulators are shipped with less than 30% of their maximum charging capacity to minimize risks during transport.

Diverse certificates are required for transport and import in some regions. They can be downloaded from Industry Online Support/Product Support.

Enter the "Article No." as the search term and select "Certificate" as the Entry type.

<https://support.industry.siemens.com/cs/products>

Before first use, accumulators should always be recharged; this also ensures the longest possible service life of the accumulators.

Disposal of waste batteries and old electrical and electronic devices:

The device must not be disposed of with household waste (Battery Law, WEEE Directive).

The waste bin symbol on the product, the batteries or the packaging means that the product and any batteries contained within it must not be disposed of with household waste.

You are obliged to dispose of the product at an appropriate disposal point.

You can find out more about disposing of batteries and old electrical and electronic devices from the authorities in your city or community, the responsible waste disposal company, or the manufacturer.

Notes:

Photos and product images may differ from the actual product.

Detailed technical specifications, content information, quantities and compatible core products are listed online in the technical specifications of the respective accessory.

Industry Mall:

<https://mall.industry.siemens.com>

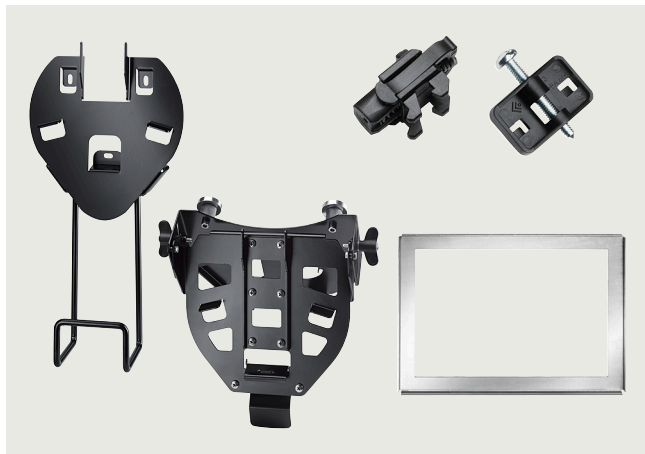
If you use the TIA Selection Tool (selection guide) to find your core product, the appropriate accessories are also displayed automatically. This facilitates selection of suitable accessories.

<http://www.siemens.com/tia-selection-tool>

Data sheets and manufacturer declarations are available for downloading in the Online Support area.

<http://support.automation.siemens.com>

Overview



Fixing elements

All parts required to install a SIMATIC device are listed here.

Depending on the device, various fasteners are available for attaching the Panel.

- Interlock
- Wall brackets and fixing elements
- Mounting frame ¹⁾
- Adapter frame
- Mounting clip
- Mounting bracket
- Installation enclosure

¹⁾ The mounting frame for the USB HUB4 is contained in the service set (see "Service sets").

Mounting frames enable compliance with device-specific degrees of protection IP65, NEMA4x and NEMA12 if the thickness of the mounting plate is less than the minimum plate thickness specified in the operating instructions of the device. The mounting frames have been specially developed for thin plates.

Ordering data

Article No.

Mounts and interlocks

Memory card lock

- 4"
- 7" ... 22"

6AV2181-4DM10-0AX0
6AV2181-4XM00-0AX0

Wall-mounting bracket for Mobile Panels

- Type 10, for Mobile Panel and Mobile Client900, without cable storage
- Type 13, for KTP Mobile Panels

6AV6574-1AF04-4AA0
6AV2181-5AG80-0AX0

For IP65 installation of Panels in thin-walled mounting plates

Mounting frame for stabilizing and increasing the strength of the mounting plate

- 8" Touch
- 8" Key
- 10"/12" Touch
- 7" Unified Panels
- 10" Unified Panels
- 15" Unified Panels
- 19" Unified Panels
- 22" Unified Panels

6AV6671-3CS00-0AX0
6AV6671-3CS01-0AX0
6AV6671-8XS00-0AX0
6AV6881-0GD33-0DA0
6AV6881-0KD33-0DA0
6AV6881-0QD33-0DA0
6AV6881-0UD33-0DA0
6AV6881-0VD33-0DA0

Mounting clip/bracket

for practical mounting of SIMATIC Panels,

Thin Client and IPCs

Mounting clip

- Aluminum
- Spring
- Plastic
- Sheet steel
- Captive sheet steel
- Die-cast aluminum
- Thin Client
- Thin Client spring

6AV6671-8XK00-0AX0
6AV6671-8XK00-0AX1
6AV6671-8XK00-0AX2
6AV6671-8XK00-0AX3
6AV6881-6AD10-0AA0
6AV2185-8MA00-0AA0
6AV6671-6AP00-0AX0
6AV6671-6AP00-0AX1

Mounting bracket

6AV6671-8XK00-0AX4

Steel

Interlock bolt

6AV6881-4AW41-4AA0

Interlock bolt for PRO keyboards and keyboard trays to lock the tilt adjustment, hardened V2A

VESA 100/75 in IP20 / ST37 round tube adapter

6AV6881-0AD56-0AA0

Can be used with all PRO devices with matching tube connector for support arm systems. ST37 partly RAL 9006, powder-coated

VESA 100/75 in IP20 / V2A round tube adapter

Can be used with all PRO devices with matching tube connector for support arm systems.

- 100% V2A
- 100% V2A with icotek cable entry

6AV6881-0AD56-2CA0
6AV6881-0AD56-3CA0

Accessories

Fixing elements

Ordering data	Article No.	Article No.
Adapter frame Adapter frame for widescreen rack mounting INOX For widescreen Unified Panels and ITC V3. <ul style="list-style-type: none"> • 15" • 19" • 22" 	6AV6881-6QD41-0AA0 6AV6881-6UD41-0AA0 6AV6881-6VD41-0AA0	Installation enclosure KP8F Prefabricated IP65 installation enclosure KP8F, including 1x 22.5 mm cutout. Supplied with an EMERGENCY OFF button Max. of 4 cables can be connected in IP65, cable sleeves enclosed. The enclosure can be permanently mounted or used as a portable device. The Key Panel is not included in the scope of delivery.
Adapter frame 19" rack For installation of 19" devices (HMI Panels or IPCs) in a 19" rack structure or other structures with 19" grid size	6AV6881-6UD42-0AA0	
Installation enclosure for KP8 and KP8F Prefabricated IP65 installation enclosure for KP8 and KP8F, including 2 x 22.5 mm cutouts for long stroke keys or switches. Supplied with blanking covers. Max. of 4 cables can be connected in IP65, cable sleeves enclosed. The enclosure can be permanently mounted or used as a portable device. The Key Panel is not included in the scope of delivery.	6AV6881-2AM12-2AA0	6AV6881-2AM12-1AA0 icotek replacement grommets <ul style="list-style-type: none"> • single for 4-5 mm cable • single for 5-6 mm cable • single for 6-7 mm cable • single for 7-8 mm cable • single for 8-9 mm cable • single for 9-10 mm cable • double for 6 mm cable • double for 8 mm cable • single dummy grommet
		6AV6881-0AM62-0AD0 6AV6881-0AM62-0AE0 6AV6881-0AM62-0AF0 6AV6881-0AM62-0AG0 6AV6881-0AM62-0AH0 6AV6881-0AM62-0AJ0 6AV6881-0AM62-0AQ0 6AV6881-0AM62-0AR0 6AV6881-0AM62-0AX0

Technical specifications

Article number	6AV6881-0UD33-0DA0	6AV6881-0QD33-0DA0	6AV6881-0VD33-0DA0	6AV6881-0GD33-0DA0	6AV6881-0KD33-0DA0
	Mounting frame 19" Unified Panels	Mounting frame 15" Unified Panels	Mounting frame 22" Unified Panels	Mounting frame 7" Unified Panels	Mounting frame 10" Unified Panels
General information					
Product type designation	mounting frame	mounting frame	mounting frame	mounting frame	mounting frame
Display					
Suitable for screen diagonal	18.5 in	15.6 in	21.5 in	7 in	10.1 in
Installation type/mounting					
Mounting in portrait format possible	Yes	Yes	Yes	Yes	Yes
Mounting in landscape format possible	Yes	Yes	Yes	Yes	Yes
Standards, approvals, certificates					
CE mark	No; No CE marking obligation	No; No CE marking obligation	No; No CE marking obligation	No; No CE marking obligation	No; No CE marking obligation
REACH	Yes; Tested	Yes; Tested	Yes; Tested	Yes; Tested	Yes; Tested
RoHS conformity	Yes; Tested / compliant	Yes; Tested / compliant	Yes; Tested / compliant	Yes; Tested / compliant	Yes; Tested / compliant
Use in hazardous areas					
• ATEX Zone 2	No	No	No	No	No
• ATEX Zone 22	No	No	No	No	No
• ATEX as target device	No	No	No	No	No
• IECEx Zone 1	No	No	No	No	No
• IECEx Zone 11	No	No	No	No	No
• IECEx Zone 2	No	No	No	No	No
• IECEx Zone 22	No	No	No	No	No
• cULus Class I Zone 1	No	No	No	No	No
• cULus Class I Zone 2, Division 2	No	No	No	No	No
• cULus Class II Division 2	No	No	No	No	No
• FM Class I Division 2	No	No	No	No	No
• FM Class II Division 2	No	No	No	No	No
Marine approval					
• Germanischer Lloyd (GL)	No	No	No	No	No
• American Bureau of Shipping (ABS)	No	No	No	No	No
• Bureau Veritas (BV)	No	No	No	No	No
• Det Norske Veritas (DNV)	No	No	No	No	No
• Korean Register of Shipping (KRS)	No	No	No	No	No

Technical specifications

Article number	6AV6881-0UD33-0DA0	6AV6881-0QD33-0DA0	6AV6881-0VD33-0DA0	6AV6881-0GD33-0DA0	6AV6881-0KD33-0DA0
	Mounting frame 19" Unified Panels	Mounting frame 15" Unified Panels	Mounting frame 22" Unified Panels	Mounting frame 7" Unified Panels	Mounting frame 10" Unified Panels
<ul style="list-style-type: none"> Lloyds Register of Shipping (LRS) Nippon Kaiji Kyokai (Class NK) Polski Rejestr Statkow (PRS) Chinese Classification Society (CCS) Marine approval as target device 	No	No	No	No	No
Ambient conditions					
Suited for indoor use	Yes	Yes	Yes	Yes	Yes
Suited for outdoor use	No	No	No	No	No
Ambient temperature during operation					
• min.	-40 °C	-40 °C	-40 °C	-40 °C	-40 °C
• max.	80 °C	80 °C	80 °C	80 °C	80 °C
Relative humidity					
• Operation, max.	90 %	90 %	90 %	90 %	90 %
Mechanics/material					
Enclosure material (front)					
• Sheet steel	Yes; Powder-coated	Yes; Powder-coated	Yes; Powder-coated	Yes; Powder-coated	Yes; Powder-coated
Dimensions					
Width	477.5 mm	411.5 mm	542.5 mm	227.5 mm	293.5 mm
Height	307.5 mm	270.5 mm	344.5 mm	171.5 mm	218.5 mm
Thickness	4 mm	4 mm	4 mm	4 mm	4 mm
Weights					
Weight, approx.	1.8 kg	1.5 kg	2.1 kg	0.6 kg	0.9 kg
Scope of supply					
Delivery quantity in pieces	1; frame	1; frame	1; frame	1; frame	1; frame
Other					
Merchandise	Yes; mounting frame WFP2.3	Yes; mounting frame WFP2.3	Yes; mounting frame WFP2.3	Yes; mounting frame WFP2.3	Yes; mounting frame WFP2.3
Manufacturer name	QUERUM products UG	QUERUM products UG	QUERUM products UG	QUERUM products UG	QUERUM products UG
Manufacturer's address	Wirtsstr. 23, 85110 Kipfenberg-Böhming, Germany	Wirtsstr. 23, 85110 Kipfenberg-Böhming, Germany	Wirtsstr. 23, 85110 Kipfenberg-Böhming, Germany	Wirtsstr. 23, 85110 Kipfenberg-Böhming, Germany	Wirtsstr. 23, 85110 Kipfenberg-Böhming, Germany
contacting the manufacturer	email: querumproducts@web.de	email: querumproducts@web.de	email: querumproducts@web.de	email: querumproducts@web.de	email: querumproducts@web.de
Target devices	for Unified Comfort Panels to reinforce the mounting plate thickness	for Unified Comfort Panels to reinforce the mounting plate thickness	for Unified Comfort Panels to reinforce the mounting plate thickness	for Unified Comfort Panels to reinforce the mounting plate thickness	for Unified Comfort Panels to reinforce the mounting plate thickness
Note:	ensures tightness with thin mounting plates	ensures tightness with thin mounting plates	ensures tightness with thin mounting plates	ensures tightness with thin mounting plates	ensures tightness with thin mounting plates

Accessories

Fixing elements

Technical specifications

Article number	6AV6881-6QD41-0AA0 Adapter Frame Widescreen 15" Touch	6AV6881-6UD41-0AA0 Adapter Frame Widescreen 19" Touch	6AV6881-6VD41-0AA0 Adapter Frame Widescreen 22" Touch	6AV6881-6UD42-0AA0 Adapter frame widescreen 19" Rack
General information				
Product type designation	Adapter frame 15" touch widescreen	Adapter frame 19" touch widescreen	Adapter frame 22" touch widescreen	Adapter frame 19" rack widescreen
Display				
Suitable for screen diagonal				18.5 in
Installation type/mounting				
Mounting				Mounting on 19" standard rack
Mounting type				Provided by customer
Rack mounting				Yes; 8U
Mounting in portrait format possible	Yes	Yes	Yes	No
Mounting in landscape format possible	Yes	Yes	Yes	Yes
Standards, approvals, certificates				
CE mark	No; No CE marking obligation	No; No CE marking obligation	No; No CE marking obligation	No; No CE marking obligation
REACH	Yes; Tested	Yes; Tested	Yes; Tested	Yes; Tested
RoHS conformity	Yes; Tested / compliant	Yes; Tested / compliant	Yes; Tested / compliant	Yes; Tested / compliant
Use in hazardous areas				
• ATEX Zone 2	No	No	No	No
• ATEX Zone 22	No	No	No	No
• ATEX as target device	No	No	No	No
• IECEx Zone 1	No	No	No	No
• IECEx Zone 11	No	No	No	No
• IECEx Zone 2	No	No	No	No
• IECEx Zone 22	No	No	No	No
• cULus Class I Zone 1	No	No	No	No
• cULus Class I Zone 2, Division 2	No	No	No	No
• cULus Class II Division 2	No	No	No	No
• FM Class I Division 2	No	No	No	No
• FM Class II Division 2	No	No	No	No
Marine approval				
• Germanischer Lloyd (GL)	No	No	No	No
• American Bureau of Shipping (ABS)	No	No	No	No
• Bureau Veritas (BV)	No	No	No	No
• Det Norske Veritas (DNV)	No	No	No	No
• Korean Register of Shipping (KRS)	No	No	No	No
• Lloyds Register of Shipping (LRS)	No	No	No	No
• Nippon Kaiji Kyokai (Class NK)	No	No	No	No
• Polski Rejestr Statkow (PRS)	No	No	No	No
• Chinese Classification Society (CCS)	No	No	No	No
• Marine approval as target device	No	No	No	No
Ambient conditions				
Suited for indoor use	Yes	Yes	Yes	Yes
Suited for outdoor use	No	No	No	No; possible under certain conditions
Ambient temperature during operation				
• min.	0 °C	0 °C	0 °C	-40 °C
• max.	50 °C	50 °C	50 °C	80 °C
Relative humidity				
• Operation, max.	90 %	90 %	90 %	90 %
• Condensation permissible				No; Condensation not permissible
Accessories				
Function description	mechanical adapter	mechanical adapter	mechanical adapter	mechanical adapter
belongs to product	MTP1500 Unified Comfort, ITC1500 V3	MTP1900 Unified Comfort, ITC1900 V3	MTP2200 Unified Comfort, ITC2200 V3	19": UCP, ITC, IFP, IPC

Technical specifications

Article number	6AV6881-6QD41-0AA0 Adapter Frame Widescreen 15" Touch	6AV6881-6UD41-0AA0 Adapter Frame Widescreen 19" Touch	6AV6881-6VD41-0AA0 Adapter Frame Widescreen 22" Touch	6AV6881-6UD42-0AA0 Adapter frame widescreen 19" Rack
Mechanics/material				
Enclosure material (front)				
• Aluminum	Yes; Powder-coated	Yes; Powder-coated	Yes; Powder-coated	
• Sheet steel				Yes; Powder-coated
Dimensions				
Width	411.2 mm	480.2 mm	557.2 mm	482.6 mm
Height	306.2 mm	334.2 mm	377.2 mm	354.75 mm
Depth	32.5 mm	32.5 mm	32.5 mm	
Thickness				3 mm
Width of the housing front	382 mm; new mounting cut-out	448 mm; new mounting cut-out	513 mm; new mounting cut-out	
Height of housing front	241 mm; new mounting cut-out	278 mm; new mounting cut-out	315 mm; new mounting cut-out	
Mounting cutout, width	396 mm; existing mounting cut-out	465 mm; existing mounting cut-out	542 mm; existing mounting cut-out	449 mm
Mounting cutout, height	291 mm; existing mounting cut-out	319 mm; existing mounting cut-out	362 mm; existing mounting cut-out	279 mm
Scope of supply				
Delivery quantity in pieces	1; Adapter frame 15"	1; Adapter frame 19"	1; Adapter frame 22"	1; Adapter frame 19" rack
Components included	incl. mounting accessories	incl. mounting accessories	incl. mounting accessories	Without additional accessories
Other				
Merchandise	No	No	No	Yes; Adapter frame 19" rack widescreen
Manufacturer name	SIEMENS AG	SIEMENS AG	SIEMENS AG	QUERUM products UG
Manufacturer's address	Gleiwitzerstraße 555, 90475 Nuremberg, Germany	Gleiwitzerstraße 555, 90475 Nuremberg, Germany	Gleiwitzerstraße 555, 90475 Nuremberg, Germany	Wirtsstr. 23, 85110 Kipfenberg-Böhming, Germany
contacting the manufacturer				email: querumproducts@web.de
Target devices				19": UCP, ITC, IFP, IPC
Note:	observe the user manual	observe the user manual	observe the user manual	Observe documentation of the target device

More information

Note:

3D data and technical drawings for trade goods are only available for download in the SIOS delivery release if the manufacturer has granted permission. Integration into the Siemens 3D download area is unfortunately not possible. For this reason, it is also not possible to provide a 3D (Step) file for every accessory.

The responsibility for trade good files always lies with the manufacturer.

The manufacturer is listed at the end of the technical specifications for each product.

Photos and product images may differ from the actual product.

Detailed technical specifications, content information, quantities and compatible core products are listed online in the technical specifications of the respective accessory.

Industry Mall:

<https://mall.industry.siemens.com>

If you use the TIA Selection Tool (selection guide) to find your core product, the appropriate accessories are also displayed automatically. This facilitates selection of suitable accessories.

<http://www.siemens.com/tia-selection-tool>

Data sheets and manufacturer declarations are available for downloading in the Online Support area.

<http://support.automation.siemens.com>

Accessories

Labeling strips

Overview



Labeling strips and printable films

Labeling strips enable keys and pushbuttons to be labeled. Print templates for the Panels and IPCs are available for downloading free of charge (in SIOS entry ID: 11274631). They enable you to create transparent films on your own printer.

Perforated labeling strips are available for some classic panels. In this case, make sure that a suitable printer is used.

The thickness of the films should be between 100 and 125 µm.

- Labeling strips
- Front film
- Labeling set
- Protective sleeve

Note:

Protective front films which are specially designed for holding labeling strips are available for Mobile Panel 2nd Generation. The labeling strips can be printed on standard film and attached to the front with adhesive pads. The protective film is then adhered evenly over the Mobile front.

Ordering data

Article No.

Labeling strips for MP 377 Key	6AV6574-1AB00-2BA0
Front film TD400C blank	6AV6671-0AP00-0AX0
Labeling set for Mobile Panel 277	6AV6671-5BF00-0AX0
Widescreen labeling set <ul style="list-style-type: none"> • 4" widescreen for KTP400F Mobile 4" • 7" widescreen for KTP700 Mobile, KTP700F Mobile • 9" widescreen for KTP900 Mobile, KTP900F Mobile 	6AV2181-5DJ10-0AX0 6AV2181-5GJ10-0AX0 6AV2181-5JJ10-0AX0
Protective sleeve for Mobile Panel 170/177	6AV6574-1AB04-4AA0

Technical specifications

Article number	6AV6574-1AB00-2BA0 Labeling strips MP 37x Key	6AV6671-0AP00-0AX0 TD400C front film, blank	6AV6671-5BF00-0AX0 Labeling set Mobile Panel 277	6AV6574-1AB04-4AA0 Protective pouch for labeling strips
General information				
Product type designation	Labeling strip MP 37x key	Front membrane TD400C, blank	Labeling set Mobile Panel 277	Protective pouch labeling strips
Installation type/mounting				
Mounting in portrait format possible	Yes	Yes	Yes	Yes
Mounting in landscape format possible	Yes	Yes	Yes	Yes
Standards, approvals, certificates				
CE mark		Yes	Yes	
RoHS conformity		Yes		
Ambient conditions				
Ambient temperature during operation				
• min.	-40 °C	-40 °C	-40 °C	-40 °C
• max.	80 °C	80 °C	80 °C	80 °C
Relative humidity				
• Operation, max.	90 %	90 %	90 %	90 %
Mechanics/material				
Enclosure material (front)				
• Plastic	Yes; DIN A4 perforated sheets			
Dimensions				
Width	210 mm	210 mm	210 mm	170 mm; Approximate dimension
Height	297 mm	297 mm	297 mm	115 mm; Approximate dimension
Thickness	0.13 mm; Max. tolerance ± 0.03 mm			
Width of the housing front		163 mm		
Height of housing front		91 mm		
Weights				
Weight (without packaging)	45 g			
Scope of supply				
Delivery quantity in pieces	1; Contains two sets	10	2; 2 sheets with 3 labeling strips each, incl. corner seals, O-ring, replacement screw, decorative film for corner seal	5
• Number of films per sheet		2	6	
• Parts per unit	2; one set comprises a set of vertical and a set of horizontal labeling strips	20	6	1
Other				
printable with laser printer	Yes; Test printer suitability beforehand. No liability for printer damage	Yes	Yes	No
Merchandise	No	No	No	Yes
Manufacturer name	SIEMENS AG	SIEMENS AG	SIEMENS AG	SIEMENS AG
Manufacturer's address	Gleiwitzerstraße 555, 90475 Nuremberg, Germany	Gleiwitzerstraße 555, 90475 Nuremberg, Germany	Gleiwitzerstraße 555, 90475 Nuremberg, Germany	Gleiwitzerstraße 555, 90475 Nuremberg, Germany
Target devices	For MP370 key, MP377 key	For TD400C	For Mobile Panel 277	For Mobile Panel 170, Mobile Panel 177
Note:	Transparent film, keys pre-printed in gray, LED area free			

Accessories

Labeling strips

Technical specifications

Article number	6AV2181-5DJ10-0AX0	6AV2181-5GJ10-0AX0	6AV2181-5JJ10-0AX0
	Labeling set 4" wide, type 13	Labeling set 7" wide, type 13	Labeling set 9" wide, type 13
General information			
Product type designation	Labeling set 4" widescreen	Labeling set 7" widescreen	Labeling set 9" widescreen
Display			
Suitable for screen diagonal	4.3 in	7 in	9 in
Installation type/mounting			
Mounting in portrait format possible	Yes	Yes	Yes
Mounting in landscape format possible	Yes	Yes	Yes
Ambient conditions			
Suited for indoor use	Yes; Resistant to alcohol, dilute acids, diluted alkaline solutions, hydrocarbons, household cleaning agents	Yes; Resistant to alcohol, dilute acids, diluted alkaline solutions, hydrocarbons, household cleaning agents	Yes; Resistant to alcohol, dilute acids, diluted alkaline solutions, hydrocarbons, household cleaning agents
Ambient temperature during operation			
• min.	-40 °C	-40 °C	-40 °C
• max.	80 °C	80 °C	80 °C
Relative humidity			
• Operation, max.	90 %	90 %	90 %
Mechanics/material			
Material			
• Plastic	Yes; Autoflex EBA 130	Yes; Autoflex EBA 130	Yes; Autoflex EBA 130
Enclosure material (front)			
• Plastic	Yes; Film properties: Anti-glare 55 %, hardness 3H	Yes; Film properties: Anti-glare 55 %, hardness 3H	Yes; Film properties: Anti-glare 55 %, hardness 3H
Dimensions			
Width	168 mm	224 mm	283 mm
Height	120 mm	149 mm	178 mm
Thickness	0.125 mm	0.125 mm	0.125 mm
Weights			
Weight (without packaging)	60 g	80 g	100 g
Scope of supply			
Delivery quantity in pieces	5	5	5
Components included	including 20 double-sided adhesive dots	including 20 double-sided adhesive dots	including 20 double-sided adhesive dots
Other			
printable with laser printer	No	No	No
Merchandise	Yes	Yes	Yes
Manufacturer name	Kolb-Siebdruck GmbH & Co. KG	Kolb-Siebdruck GmbH & Co. KG	Kolb-Siebdruck GmbH & Co. KG
Manufacturer's address	Espenstraße 5, 95632 Wunsiedel, Germany	Espenstraße 5, 95632 Wunsiedel, Germany	Espenstraße 5, 95632 Wunsiedel, Germany
Target devices	KTP400F Mobile	KTP700 Mobile, KTP700F Mobile	KTP900 Mobile, KTP900F Mobile
Note:	Labeling strip SIOS entry No. 11274631	Labeling strip SIOS entry No. 11274631	Labeling strip SIOS entry No. 11274631

More information

Notice:

The labeling strips, blank films, and protective films should be printed at a printing works. Further details on printing the films can be found in the respective Technical Specifications.

Templates can be used to create labeling strips for SIMATIC HMI devices. Alternatively, a tool for the creation of labeling strips is available.

Download templates from:

<http://support.automation.siemens.com/WW/view/en/11274631>
and

Label Creator Download from:

<http://support.automation.siemens.com/WW/view/en/61507590>

Note:

Photos and product images may differ from the actual product.

Detailed technical specifications, content information, quantities and compatible core products are listed online in the technical specifications of the respective accessory.

Industry Mall:

<https://mall.industry.siemens.com>

If you use the TIA Selection Tool (selection guide) to find your core product, the appropriate accessories are also displayed automatically. This facilitates selection of suitable accessories.

<http://www.siemens.com/tia-selection-tool>

Data sheets and manufacturer declarations are available for downloading in the Online Support area.

<http://support.automation.siemens.com/>

Accessories

Input devices, cables

Overview



USB keyboard GER, KV25605, INOX and keyboard tray for HMI PRO devices

Input devices

Input devices are all those devices via which information can be supplied to a computer or Panel. This enables interaction with a program.

SIMATIC HMI input devices are specially designed for operation on Panels and industrial PCs in industrial environments.

Trade goods, which are identified as such in the technical specifications, have been approved by the manufacturer for typical office applications. Siemens does not always carry out in-depth industrial testing on trade goods.

The following input devices are available for use with IPCs and Panels:

- Desktop keyboards
- Built-in and mounted keyboards
- Removable keyboard
- USB mouse
- USB cables



Keyboard with tray

Ordering data	Article No.	Article No.
USB keyboard TKL-105 IP68 keyboard, black, with USB connection <ul style="list-style-type: none"> with German layout with international US layout 	6AV6881-0AU14-0AA0 6AV6881-0AU14-1AA0	USB cables ³⁾ USB cable 2.0 <ul style="list-style-type: none"> Type A female USB A, IP20 / male USB A, IP20, length 2.5 m Type B with M20 screw sealing, female USB A, IP67 / male USB A, IP20, length 0.8 m Type C with M20 screw sealing, female USB A, IP67 / male USB A, IP20, length 2.5 m Type D female, USB A, IP67 / male USB A, IP20, length 2.5 m
USB keyboard TKV-086 IP65 stainless steel Desktop keyboard, INOX vandal-proof, also suitable for PRO system ¹⁾ . Incl. 4 plastic adhesive feet ²⁾ , cable holder/ties for fixing the USB cable. IP65 keyboard stainless steel with IP67 USB connection, incl. accessories <ul style="list-style-type: none"> with German layout with international US layout 	6AV6881-0AU14-0DB0 6AV6881-0AU14-1DB0	
Tray for PRO devices For installation on all PRO devices with fully-enclosed IP65 protection with suitable mechanics. With 2x USB connection sockets including USB cable. Unused socket can be sealed to IP65 <ul style="list-style-type: none"> Tray in RAL9023 (gray) for all 4:3 PRO devices with fully-enclosed IP65 protection 	6AV7674-0NE01-0AA0	
Membrane keyboard IP65 with touchpad, PS/2 <ul style="list-style-type: none"> with German layout with international US layout 	6GF6710-2AC 6GF6710-2BC	
Removable keyboard 19" removable keyboard with trackball, PS/2 <ul style="list-style-type: none"> with German layout with international US layout 	6GF6710-3BJ 6GF6710-3BK	
Built-in keyboard, touchpad 19" built-in keyboard, 4U with touchpad, PS/2 <ul style="list-style-type: none"> with German layout with international US layout 	6GF6710-3AE 6GF6710-3BE	
Built-in keyboard, trackball, international Built-in keyboard with trackball, PS/2	6GF6710-3BG	
USB 2.0 mouse For HMI Panels, programming devices and IPCs with corresponding interfaces. Color: Anthracite	6AV2181-8AT00-0AX0	

¹⁾ Further mechanical attachment parts (keyboard tray, etc.) are required for use on PRO systems. Observe the respective specifications of the target systems!

²⁾ Plastic adhesive feet can be attached on the underside of the keyboard at the marked locations.

³⁾ With specification IP20, the connector type specified on the cable corresponds to a standard USB connector. With specification IP67, it corresponds to a connector with IP67-protected screw connection. IP67 connectors are fitted with a cover to ensure degree of protection IP67 even when the connector is unplugged and the cover is unscrewed. In some cases a M20 screw sealing is already part of the cable. This version can be used for IP65 transitions (PRO system/control cabinet). The IP67 sockets are also suitable for standard USB connectors, however in those cases the degree of protection is reduced to IP20.
 Note: A maximum cable length of 3 m should not be exceeded!

Accessories

Input devices, cables

Technical specifications

Article number	6AV6881-0AU14-0DB0 USB keyboard GER, KV25605, INOX	6AV6881-0AU14-1DB0 USB keyboard INT, KV25605, INOX
General information		
Product type designation	USB keyboard GERMAN	USB keyboard international US
Control elements		
Version of actuating element	Long-stroke key with 2 mm contact travel	Long-stroke key with 2 mm contact travel
Operating principle of the actuating element	Carbon pellet on gold-plated PCB	Carbon pellet on gold-plated PCB
Input device		
• Scroll wheel	No; Cursor control possible, left and right mouse button	No; Cursor control possible, left and right mouse button
• Movement tracking	Capacitive touchpad	Capacitive touchpad
Keyboard fonts		
• Design	Keyboard with long-stroke keys	Keyboard with long-stroke keys
• Keyboard assignment	86 (Germany QWERTZ)	86 (International QWERTY, US version)
• Color of the buttons	Stainless steel	Stainless steel
• Color of the key inscription	Black, laser-inscribed	Black, laser-inscribed
• Key illumination	No	No
• Function keys	Yes	Yes
- Number of function keys	12	12
- Number of function keys with LEDs	0	0
- Programmable	No	No
• Number pad	Yes; Integrated into key layout	Yes; Integrated into key layout
• status LED displays	Yes; Num, FN, Shift, Scroll lock	Yes; Num, FN, Shift, Scroll lock
- for number pad	Yes	Yes
- for Shift keys	Yes	Yes
• Multi-key operation		
- 2-key rollover	Yes; 1 finger, slow typing, robust industry standard	Yes; 1 finger, slow typing, robust industry standard
- n-key rollover	No	No
Connection type		
• USB	Yes; USB 2.0 type A	Yes; USB 2.0 type A
• PS/2	No	No
• Cable length	0 m; See cable length	0 m; See cable length
Frame size/design		
• Standard	Yes; For industrial applications	Yes; For industrial applications
Installation type/mounting		
Mounting	Desktop, PRO support arm, drawer	Desktop, PRO support arm, drawer
Mounting type	Suitable for PRO devices	Suitable for PRO devices
Supply voltage		
Rated value (DC)	5 V; 4.35 V to 5.25 V (USB)	5 V; 4.35 V to 5.25 V (USB)
Battery		
Battery-operated	No; maintenance-free	No; maintenance-free
Interfaces		
Number of USB interfaces	1; USB 2.0 (IP67 plug enclosure)	1; USB 2.0 (IP67 plug enclosure)
Degree and class of protection		
IP (all-round)	IP65	IP65
IP (at the front)	USB plug, meets IP67 with screws, if only inserted then without IP	USB plug, meets IP67 with screws, if only inserted then without IP
Standards, approvals, certificates		
CE mark	Yes	Yes
UL approval	Yes; Available soon	Yes; Available soon
cULus	Yes; Available soon	Yes; Available soon
EAC (formerly Gost-R)	Yes; Available soon	Yes; Available soon
CCC	No; not necessary	No; not necessary
BIS	No; required for export to India	No; required for export to India
RoHS conformity	Yes	Yes
China RoHS compliance	Yes; Available soon	Yes; Available soon

Technical specifications

Article number	6AV6881-0AU14-0DB0 USB keyboard GER, KV25605, INOX	6AV6881-0AU14-1DB0 USB keyboard INT, KV25605, INOX
Ambient conditions		
Suited for indoor use	Yes	Yes
Suited for outdoor use	No; > 0 °C possible under certain conditions	No; > 0 °C possible under certain conditions
Ambient temperature during operation		
• min.	0 °C	0 °C
• max.	60 °C	60 °C
Relative humidity		
• Operation, max.	80 %; no condensation	80 %; no condensation
• Condensation permissible	No	No
Operating systems		
Runs under operating system		
• Windows CE	Yes	Yes
• Windows Vista	Yes	Yes
• Windows XP	Yes	Yes
• Windows 7	Yes	Yes
• Windows 8	Yes	Yes
• Windows 10	Yes	Yes
Cables		
Cable length	0.4 m; USB	0.4 m; USB
Mechanics/material		
Material		
• Stainless steel	Yes; Front stainless steel AISI 304	Yes; Front stainless steel AISI 304
Enclosure material (rear)	aluminum	aluminum
Material of the front ring	Generally silicone-free PORON seal	Generally silicone-free PORON seal
Enclosure color (front)	INOX AISI 304	INOX AISI 304
Enclosure color (rear)	Aluminum paint	Aluminum paint
Torques/forces		
• Breakdown torque	1.5 N·m; Switching force buttons 1.5 N to 1.8 N	1.5 N·m; Switching force buttons 1.5 N to 1.8 N
Service life		
• Number of operating cycles, keys	20 000 000; Operations (minimum)	20 000 000; Operations (minimum)
Dimensions		
Width	369 mm	369 mm
Height	18 mm	18 mm
Depth	130 mm; Without cable outlet (with + 3 cm)	130 mm; Without cable outlet (with + 3 cm)
Scope of supply		
Delivery quantity in pieces	1	1
Other		
printable with laser printer	No	No
Merchandise	Yes; GETT KV25605 / VES001681	Yes; GETT KV27610 / VES001681
Manufacturer name	GETT Gerätetechnik GmbH	GETT Gerätetechnik GmbH
Manufacturer's address	Mittlerer Ring 1, 08233 Treuen (Vogtland), Germany	Mittlerer Ring 1, 08233 Treuen (Vogtland), Germany
contacting the manufacturer	Phone +49 37468 660-0, email: info@gett.de	Phone +49 37468 660-0, email: info@gett.de
Target devices	For SIMATIC HMI devices and IPCs with the appropriate slot	For SIMATIC HMI devices and IPCs with the appropriate slot

Accessories

Input devices, cables

Technical specifications

Article number	6AV6881-0AU14-0AA0 USB keyboard GER, TKL-105	6AV6881-0AU14-1AA0 USB keyboard INT, TKL-105
General information		
Product type designation	USB keyboard GERMAN	USB keyboard international US
Control elements		
Version of actuating element	Long-stroke key with 4 mm contact travel	Long-stroke key with 4 mm contact travel
Operating principle of the actuating element	Keyboard with long-stroke keys with membrane switching contacts	Keyboard with long-stroke keys with membrane switching contacts
Input device		
• Scroll wheel	No	No
• Movement tracking	none	none
Keyboard fonts		
• Design	Keyboard with long-stroke keys	Keyboard with long-stroke keys
• Keyboard assignment	105 keys, German layout	105 keys, international US layout
• Color of the buttons	Black	Black
• Color of the key inscription	White	White
• Key illumination	No	No
• Function keys	Yes	Yes
- Number of function keys	12	12
- Number of function keys with LEDs	0	0
- Programmable	No	No
• Number pad	Yes; Free-standing	Yes; Free-standing
• status LED displays	Yes; Num, Caps and Scroll	Yes; Num, Caps and Scroll
- for number pad	Yes	Yes
- for Shift keys	Yes	Yes
• Multi-key operation		
- 2-key rollover	No	No
- n-key rollover	Yes; 10 finger system, quick typing possible	Yes; 10 finger system, quick typing possible
Connection type		
• USB	Yes; USB 2.0 type A	Yes; USB 2.0 type A
• PS/2	No	No
• Cable length	0 m; See cable length	0 m; See cable length
Frame size/design		
• Standard	Yes; For industrial applications	Yes; For industrial applications
Installation type/mounting		
Mounting	Desktop	Desktop
Mounting type	none	none
Supply voltage		
Rated value (DC)	5 V; via USB	5 V; via USB
Battery		
Battery-operated	No; maintenance-free	No; maintenance-free
Interfaces		
Number of USB interfaces	1; USB 2.0	1; USB 2.0
Degree and class of protection		
IP (all-round)	IP68 all-round and dishwasher safe	IP68 all-round and dishwasher safe
IP (at the front)	USB connector without degree of protection	USB connector without degree of protection
Standards, approvals, certificates		
CE mark	Yes	Yes
UL approval	Yes; cUL	Yes; cUL
cULus	Yes; cUL	Yes; cUL
KC approval	Yes	Yes
EAC (formerly Gost-R)	Yes	Yes
BIS	No; required for export to India	No; required for export to India
RoHS conformity	Yes	Yes

Technical specifications

Article number	6AV6881-0AU14-0AA0 USB keyboard GER, TKL-105	6AV6881-0AU14-1AA0 USB keyboard INT, TKL-105
Ambient conditions		
Suited for indoor use	Yes	Yes
Suited for outdoor use	No; possible under certain conditions	No; possible under certain conditions
Ambient temperature during operation		
• min.	0 °C	0 °C
• max.	70 °C	70 °C
Relative humidity		
• Operation, max.	80 %; no condensation	80 %; no condensation
• Condensation permissible	No	No
Operating systems		
Runs under operating system		
• Windows CE	Yes	Yes
• Windows Vista	Yes	Yes
• Windows XP	Yes	Yes
• Windows 7	Yes	Yes
• Windows 8	Yes	Yes
• Windows 10	Yes	Yes
Cables		
Cable length	1.5 m; USB	1.5 m; USB
Mechanics/material		
Material		
• Plastic	Yes; Black	Yes; Black
Enclosure material (front)		
• Plastic	Yes; ABS with antimicrobial coating	Yes; ABS with antimicrobial coating
Enclosure color (front)	Black	Black
Enclosure color (rear)	Black	Black
Torques/forces		
• Breakdown torque	0.53 N·m; Switching force buttons	0.53 N·m; Switching force buttons
Service life		
• Number of operating cycles, keys	10 000 000; Operations (minimum)	10 000 000; Operations (minimum)
Dimensions		
Width	459 mm	459 mm
Height	35 mm	35 mm
Depth	174 mm	174 mm
Weights		
Weight (without packaging)	800 g	800 g
Scope of supply		
Delivery quantity in pieces	1	1
Other		
printable with laser printer	No	No
Merchandise	Yes; GETT TKL-105	Yes; GETT TKL-105
Manufacturer name	GETT Gerätetechnik GmbH	GETT Gerätetechnik GmbH
Manufacturer's address	Mittlerer Ring 1, 08233 Treuen (Vogtland), Germany	Mittlerer Ring 1, 08233 Treuen (Vogtland), Germany
contacting the manufacturer	Phone +49 37468 660-0, email: info@gett.de	Phone +49 37468 660-0, email: info@gett.de
Target devices	For SIMATIC HMI devices and IPCs with the appropriate slot	For SIMATIC HMI devices and IPCs with the appropriate slot
Note:	Corresponds to KL21203	Corresponds to KL24603

Accessories

Input devices, cables

Technical specifications

Article number	6AV7674-0NE01-0AA0 Tray for 4:3 PRO devices
General information	
Product type designation	Tray incl. 2x USB
Control elements	
Connection type	
• USB	Yes; USB 2.0
• PS/2	No
• Cable length	500 mm; Typical
Frame size/design	
• Standard	Yes; For industrial applications
• Ergonomic	Yes; 90° adjustable / tiltable
Ergonomics	
• Trackball rest	No
• Adjustable height	Yes; By adjusting inclination angle 0° to 90°
Installation type/mounting	
Mounting	Max. load bearing capacity of 2 kg
Mounting type	Suitable for PRO devices
maximum permissible angle of inclination without external ventilation	90°; Between 0° and 90° in steps of 15°
Interfaces	
Number of USB interfaces	2; USB 2.0
Degree and class of protection	
IP (all-round)	IP65 fully enclosed (when protective cover is closed)
Standards, approvals, certificates	
RoHS conformity	Yes

Article number	6AV7674-0NE01-0AA0 Tray for 4:3 PRO devices
Ambient conditions	
Ambient temperature during operation	
• min.	0 °C
• max.	45 °C
Relative humidity	
• Operation, max.	80 %; no condensation
• Condensation permissible	No; Condensation not permissible
Mechanics/material	
Material	
• Aluminum	Yes; Powder-coated, RAL 9023
Dimensions	
Width	500 mm
Height	64 mm
Depth	200 mm
Weights	
Weight (without packaging)	3 000 g
Scope of supply	
Delivery quantity in pieces	1; With support arm bracket, without keyboard
Other	
Merchandise	Yes; Sasse no. 1580.9906124
Manufacturer name	Sasse Elektronik GmbH
Manufacturer's address	Berliner Straße 12, 91126 Schwabach, Germany
Target devices	Merchandise suitable for 4:3 PRO devices

Technical specifications

Article number	6AV6881-0AF21-0LB0	6AV6881-0AF22-0DC0	6AV6881-0AF22-0LC0	6AV6881-0AF21-0LC0
	USB cable type A	USB cable type B	USB cable type C	USB cable type D
General information				
Product type designation	Connecting cable USB	Connecting cable USB	Connecting cable USB	Connecting cable USB
Control elements				
Connection type				
• USB	Yes; USB 2.0 type A IP20 to type A IP20	Yes; USB 2.0 type x IP67 to type A IP20	Yes; USB 2.0 type x IP67 to type A IP20	Yes; USB 2.0 type x IP67 to type A IP20
Degree and class of protection				
IP (all-round)	IP20	On the female side up to IP65 screw connection, then IP20	On the female side up to IP65 screw connection, then IP20	On the female side up to IP65 screw connection, then IP20
Standards, approvals, certificates				
CE mark	No; No CE marking obligation	No; No CE marking obligation	No; No CE marking obligation	No; No CE marking obligation
RoHS conformity	Yes	Yes	Yes	Yes
Ambient conditions				
Suited for indoor use	Yes; Always comply with the operating instructions of the target device.	Yes; Always comply with the operating instructions of the target device.	Yes; Always comply with the operating instructions of the target device.	Yes; Always comply with the operating instructions of the target device.
Ambient temperature during operation				
• min.	0 °C	0 °C	0 °C	0 °C
• max.	55 °C	55 °C	55 °C	55 °C
Relative humidity				
• Operation, max.	95 %	95 %	95 %	95 %
Cables				
Cable length	2.5 m	2.5 m	2.5 m	0.8 m
smallest bending radius	0 mm; 10x d (cable diameter)	0 mm; 10x d (cable diameter)	0 mm; 10x d (cable diameter)	0 mm; 10x d (cable diameter)
Color of cable sheath	Black	Black	Black	Black
Mechanics/material				
Enclosure material (front)				
• Plastic	Yes; Connector enclosure	Yes; Connector enclosure	Yes; Connector enclosure	Yes; Connector enclosure
Torques/forces				
• Tightening torque, min.		1 N·m; Hand-tight	1 N·m; Hand-tight	1 N·m; Hand-tight
• Tightening torque, max.		1.5 N·m; Hand-tight	1.5 N·m; Hand-tight	1.5 N·m; Hand-tight
Scope of supply				
Delivery quantity in pieces	1; USB 2.0 cable (max. 500 mA)	1; USB 2.0 cable (max. 500 mA)	1; USB 2.0 cable (max. 500 mA)	1; USB 2.0 cable (max. 500 mA)
Other				
Merchandise	Yes; USB-IP20-2500-C7294-Siemens	Yes; USB-IP67-2500M-C7294-Siemens	Yes; USB-IP67-2500-C7294-Siemens	Yes; USB-IP67-800M-C7294-Siemens
Manufacturer name	GETT Gerätetechnik GmbH	GETT Gerätetechnik GmbH	GETT Gerätetechnik GmbH	GETT Gerätetechnik GmbH
Manufacturer's address	Mittlerer Ring 1, 08233 Treuen (Vogtland), Germany	Mittlerer Ring 1, 08233 Treuen (Vogtland), Germany	Mittlerer Ring 1, 08233 Treuen (Vogtland), Germany	Mittlerer Ring 1, 08233 Treuen (Vogtland), Germany
Target devices	For Panels and PC systems with suitable interface; observe operating instructions of the target device!	For Panels and PC systems with suitable interface; observe operating instructions of the target device!	For Panels and PC systems with suitable interface; observe operating instructions of the target device!	For Panels and PC systems with suitable interface; observe operating instructions of the target device!
Note:	Request certificates and drawings from manufacturer	Request certificates and drawings from manufacturer	Request certificates and drawings from manufacturer	Request certificates and drawings from manufacturer

Accessories

Input devices, cables

Technical specifications

Article number	6GF6710-2AC PS2 foil keyboard GER, touchpad	6GF6710-2BC PS2 foil keyboard INT, touchpad
General information		
Product type designation	PS/2 membrane keyboard GER	PS/2 membrane keyboard INT
Control elements		
Keyboard fonts		
• Design	Membrane keyboard	Membrane keyboard
• Keyboard assignment	B3F, 101/102 or 104/105 OMRON	B3F, 101/102 or 104/105 OMRON
• Key illumination	No	No
• Function keys		
- Number of function keys	12	12
- Programmable	Yes	Yes
• Number pad	Yes	Yes
• status LED displays	Yes; Num, Caps and Scroll	Yes; Num, Caps and Scroll
- for number pad	Yes	Yes
- for Shift keys	Yes	Yes
Connection type		
• USB	Yes; With PS/2 USB adapter (not included in the scope of supply)	Yes; With PS/2 USB adapter (not included in the scope of supply)
• PS/2	Yes	Yes
• Cable length	1.75 m	1.75 m
Frame size/design		
• Standard	Yes; For industrial applications	Yes; For industrial applications
Installation type/mounting		
Rack mounting	No; Desktop housing	No; Desktop housing
Battery		
Battery-operated	No; maintenance-free	No; maintenance-free
Degree and class of protection		
IP (all-round)	IP65	IP65
Splashproof	Yes	Yes
Standards, approvals, certificates		
CE mark	Yes	Yes
RoHS conformity	Yes	Yes
Ambient conditions		
Ambient temperature during operation		
• min.	0 °C	0 °C
• max.	40 °C	40 °C
Relative humidity		
• Operation, max.	90 %; no condensation	90 %; no condensation
• Condensation permissible	No	No

Technical specifications

Article number	6GF6710-2AC	6GF6710-2BC
	PS2 foil keyboard GER, touchpad	PS2 foil keyboard INT, touchpad
Operating systems		
Runs under operating system		
• Windows CE	Yes	Yes
• Windows Vista	Yes	Yes
• Windows XP	Yes	Yes
• Windows 7	Yes	Yes
• Windows 10	Yes	Yes
Mechanics/material		
Material		
• Plastic	Yes; AUTOTEX (R) V150	Yes; AUTOTEX (R) V150
• Sheet steel	No	No
Enclosure material (front)		
• Plastic	Yes; AUTOTEX (R) V150	Yes; AUTOTEX (R) V150
Service life		
• Number of operating cycles, keys	1 000 000; Operations (minimum)	1 000 000; Operations (minimum)
Dimensions		
Width	478.5 mm	478.5 mm
Height	28 mm	28 mm
Depth	180 mm	180 mm
Weights		
Weight (without packaging)	2 260 g	2 260 g
Scope of supply		
Delivery quantity in pieces	1; Membrane keyboard with mouse pad	1; Membrane keyboard with mouse pad
Other		
Merchandise	Yes; TIPRO no. K-547	Yes; TIPRO no. K-547
Manufacturer name	TIPRO Representative Office	TIPRO Representative Office
Manufacturer's address	Vogelweg 20, 31785 Hameln, Germany	Vogelweg 20, 31785 Hameln, Germany
Target devices	Suitable for IPC and HMI devices with the corresponding interfaces (see manual)	Suitable for IPC and HMI devices with the corresponding interfaces (see manual)
Note:	Suitable PS/2 USB adapter (keyboard/mouse): 1x USB 1.1, plug A on 2x PS/2 sockets, 0.20 m, black; manufacturer: Renkforce; supply by Conrad Elektronik, order no.: 1360251 - 62	Suitable PS/2 USB adapter (keyboard/mouse): 1x USB 1.1, plug A on 2x PS/2 sockets, 0.20 m, black; manufacturer: Renkforce; supply by Conrad Elektronik, order no.: 1360251 - 62

Accessories

Input devices, cables

Technical specifications

Article number	6GF6710-3BJ PS2 keyboard 19" GER Trackb.	6GF6710-3BK PS2 keyboard 19" INT Trackb.
General information		
Product type designation	PS/2 withdrawable keyboard GER	PS/2 withdrawable keyboard INT
Control elements		
Keyboard fonts		
• Design	Membrane keyboard	Membrane keyboard
• Keyboard assignment	84 (Germany (QWERTZ))	84 (US version)
• Color of the buttons	light gray	light gray
• Color of the key inscription	dark gray	dark gray
• Key illumination	No	No
• Function keys		
- Number of function keys	12	12
• Number pad	Yes; Integrated into key layout	Yes; Integrated into key layout
• status LED displays	Yes; Num, Caps, Scroll and Pad	Yes; Num, Caps, Scroll and Pad
- for number pad	Yes	Yes
- for Shift keys	Yes	Yes
Connection type		
• Bluetooth radio standard	No	No
• USB	No	No
• PS/2	Yes	Yes
• Cable length	1.5 m	1.5 m
Frame size/design		
• Standard	Yes; For industrial applications	Yes; For industrial applications
• 19" keyboard	Yes	Yes
Installation type/mounting		
Rack mounting	Yes	Yes
Front mounting	No	No
Wall mounting/direct mounting	No	No
maximum permissible angle of inclination without external ventilation	0°	0°
Supply voltage		
Design of the power supply	via PS/2	via PS/2
Battery		
Battery-operated	No; maintenance-free	No; maintenance-free
Degree and class of protection		
Splashproof	No	No
Standards, approvals, certificates		
CE mark	Yes	Yes
RoHS conformity	Yes	Yes
Ambient conditions		
Ambient temperature during operation		
• min.	0 °C	0 °C
• max.	50 °C	50 °C
Relative humidity		
• Operation, max.	80 %; no condensation	80 %; no condensation
• Condensation permissible	No	No

Technical specifications

Article number	6GF6710-3BJ	6GF6710-3BK
	PS2 keyboard 19" GER Trackb.	PS2 keyboard 19" INT Trackb.
Operating systems		
Runs under operating system		
• Windows CE	Yes	Yes
• Windows Vista	Yes	Yes
• Windows XP	Yes	Yes
• Windows 7	Yes	Yes
• Windows 8	Yes	Yes
• Windows 10	Yes	Yes
Connection method		
Connector type	PS/2	PS/2
Mechanics/material		
Material		
• Plastic	Yes; Keyboard itself	Yes; Keyboard itself
• Sheet steel	Yes; Powder-coated drawer	Yes; Powder-coated drawer
Service life		
• Number of operating cycles, keys	20 000 000; Operations (approx.)	20 000 000; Operations (approx.)
Dimensions		
Width	370 mm; Keyboard	370 mm; Keyboard
Height	20 mm; Keyboard	20 mm; Keyboard
Depth	138.5 mm; Keyboard	138.5 mm; Keyboard
Width of the housing front	485 mm; Keyboard incl. drawer	485 mm; Keyboard incl. drawer
Height of housing front	45 mm; Keyboard incl. drawer	45 mm; Keyboard incl. drawer
Enclosure diameter	465 mm; Mounting depth drawer	465 mm; Mounting depth drawer
Weights		
Weight (without packaging)	8 000 g; Without accessories	8 000 g; Without accessories
Scope of supply		
Delivery quantity in pieces	1; Keyboard incl. drawer	1; Keyboard incl. drawer
Other		
Merchandise	Yes	Yes
Manufacturer name	ZF Friedrichshafen AG, Cherry GmbH, Electronic Systems	ZF Friedrichshafen AG, Cherry GmbH, Electronic Systems
Manufacturer's address	Cherrystr., 91275 Auerbach/OPf., Germany	Cherrystr., 91275 Auerbach/OPf., Germany
Target devices	Suitable for IPC and HMI devices with the corresponding interfaces (see manual)	Suitable for IPC and HMI devices with the corresponding interfaces (see manual)

Accessories

Input devices, cables

Technical specifications

Article number	6GF6710-3AE PS2 keyboard 19" GER, touch pad	6GF6710-3BG PS2 keyboard 19" INT, track ball	6GF6710-3BE PS2 keyboard 19" INT, touch pad
General information			
Product type designation	PS/2 built-in keyboard GER	PS/2 built-in keyboard INT	PS/2 built-in keyboard INT
Control elements			
Keyboard fonts			
• Design	Membrane keyboard	Membrane keyboard	Membrane keyboard
• Keyboard assignment	B3F, 101/102 or 104/105 OMRON	B3F, 101/102 or 104/105 OMRON	B3F, 101/102 or 104/105 OMRON
• Color of the buttons		light gray	
• Color of the key inscription		Black	
• Key illumination	No	No	No
• Function keys			
- Number of function keys	12	12	12
- Programmable	Yes	Yes	Yes
• Number pad	Yes	Yes; Free-standing	Yes
• status LED displays	Yes; Num, Caps and Scroll	Yes; Num, Caps and Scroll	Yes; Num, Caps and Scroll
- for number pad	Yes	Yes	Yes
- for Shift keys	Yes	Yes	Yes
Connection type			
• USB	Yes; With PS/2 USB adapter (not included in the scope of supply)	Yes; With PS/2 USB adapter (not included in the scope of supply)	Yes; With PS/2 USB adapter (not included in the scope of supply)
• PS/2	Yes	Yes	Yes
Frame size/design			
• Standard	Yes; For industrial applications	Yes; For industrial applications	Yes; For industrial applications
• 19" keyboard	Yes	Yes	Yes
Installation type/mounting			
Rack mounting	No; Built-in keyboard, 19" rack	No	No; Built-in keyboard, 19" rack
Front mounting		Yes	
Wall mounting/direct mounting		No	
Battery			
Battery-operated	No; maintenance-free	No; maintenance-free	No; maintenance-free
Degree and class of protection			
IP (all-round)		IP65 when the ball is actuated; mouse only IP55	
IP (at the front)	IP65		IP65
IP (rear)	IP20		IP20
Splashproof	Yes	Yes	Yes
Standards, approvals, certificates			
CE mark	Yes	Yes	Yes
RoHS conformity	Yes	Yes	Yes
Ambient conditions			
Ambient temperature during operation			
• min.	0 °C	0 °C	0 °C
• max.	40 °C	40 °C	40 °C
Relative humidity			
• Operation, max.	90 %; no condensation	90 %; no condensation	90 %; no condensation
• Condensation permissible	No	No	No

Technical specifications

Article number	6GF6710-3AE	6GF6710-3BG	6GF6710-3BE
	PS2 keyboard 19" GER, touch pad	PS2 keyboard 19" INT, track ball	PS2 keyboard 19" INT, touch pad
Operating systems			
Runs under operating system			
• Windows CE	Yes	Yes	Yes
• Windows Vista	Yes	Yes	Yes
• Windows XP	Yes	Yes	Yes
• Windows 7	Yes	Yes	Yes
• Windows 10	Yes	Yes	Yes
Mechanics/material			
Material			
• Sheet steel	Yes	Yes	Yes
Enclosure material (front)			
• Plastic	Yes; AUTOTEX (R) V150	Yes; AUTOTEX (R) V150	Yes; AUTOTEX (R) V150
Service life			
• Number of operating cycles, keys	1 000 000; Operations (minimum)	1 000 000; Operations (minimum)	1 000 000; Operations (minimum)
Dimensions			
Width	482.6 mm	482.6 mm	482.6 mm
Height	42.5 mm	38 mm	42.5 mm
Depth	177.8 mm	177.8 mm	177.8 mm
Weights			
Weight (without packaging)	1 480 g	1 490 g	1 480 g
Scope of supply			
Delivery quantity in pieces	1; Built-in keyboard rack mounting	1; Built-in keyboard with stud bolts	1; Built-in keyboard rack mounting
Other			
Merchandise	Yes; TIPRO no. K-647 (K-847)	Yes; TIPRO no. K-842 (K-642)	Yes; TIPRO no. K-647 (K-847)
Manufacturer name	TIPRO Representative Office	TIPRO Representative Office	TIPRO Representative Office
Manufacturer's address	Vogelweg 20, 31785 Hameln, Germany	Vogelweg 20, 31785 Hameln, Germany	Vogelweg 20, 31785 Hameln, Germany
Target devices	Suitable for IPC and HMI devices with the corresponding interfaces (see manual)	Suitable for IPC and HMI devices with the corresponding interfaces (see manual)	Suitable for IPC and HMI devices with the corresponding interfaces (see manual)
Note:	Suitable PS/2 USB adapter (keyboard/mouse): 1x USB 1.1, plug A on 2x PS/2 sockets, 0.20 m, black; manufacturer: Renkforce; supply by Conrad Elektronik, order no.: 1360251 - 62		

Accessories

Input devices, cables

Technical specifications

Article number	6AV2181-8AT00-0AX0 USB 2.0 mouse
General information	
Product type designation	USB mouse
Control elements	
With parameterizable keys	No; 5 including scroll wheel
Input device	
• Scroll wheel	Yes; Vertical and horizontal scrolling
• Movement tracking	Microsoft - proprietary BlueTrack™ Technology
• Movement resolution	1 000 dpi; 8 000 images/second
• Speed	1 829 mm/s; 1.829 m/s
Connection type	
• USB	Yes; USB 2.0 type A
Frame size/design	
• Standard	Yes; For industrial applications
Supply voltage	
Rated value (DC)	5 V; via USB
Battery	
Battery-operated	No; Without battery
Interfaces	
Number of USB interfaces	1
Standards, approvals, certificates	
CE mark	Yes; WEEE (European Union) available
cULus	Yes; ICES-003 (Canada) available
RCM (formerly C-TICK)	No; EIP / EPUP available
KC approval	Yes
FCC Class B	Yes; FCC ID available
BSMI	Yes
Marine approval	
• Nippon Kaiji Kyokai (Class NK)	No; Only VCCI available

Article number	6AV2181-8AT00-0AX0 USB 2.0 mouse
Ambient conditions	
Ambient temperature during operation	
• min.	0 °C
• max.	40 °C
Relative humidity	
• Operation, max.	80 %; 65 % for storage
• Condensation permissible	No
Operating systems	
Runs under operating system	
• Windows CE	Yes; Not all functions are available
• Windows Vista	Yes
• Windows XP	Yes; SP2 and higher
• Windows 7	Yes
• Windows 8	Yes
• Windows 10	Yes
Cables	
Cable length	1 930 mm
smallest bending radius	10 mm
Color of cable sheath	
• Gray	Yes
Mechanics/material	
Material	
• Plastic	Yes; anthracite
Dimensions	
Width	67.9 mm
Height	42.3 mm
Depth	116 mm
Weights	
Weight (without packaging)	131 g
Scope of supply	
Delivery quantity in pieces	1
Other	
Merchandise	Yes; 4EH-0002
Manufacturer name	Microsoft Deutschland GmbH
Manufacturer's address	Walter-Gropius-Straße 5, 80807 Munich, Germany
Target devices	Suitable for HMI Panels and IPCs with USB interface

More information

Certificates:

Import/export certificates are available for downloading from Industry Online Support/Product Support:

<https://support.industry.siemens.com/cs/products>

Enter the "Article No." as the search term and select "Certificate" as the Entry type.

You can always find the current certification for trade goods on the manufacturer's home page.

The manufacturer data appear at the end of the technical specifications.

Notes:

The degree of protection stated for input media does not apply to the USB connection pieces.

IP20 is typical for use with USB interfaces, without any particular degree of protection.

If you need to modify or supplement the products described here, we'll be pleased to provide the necessary information at: "Custom made products".

Photos and product images may differ from the actual product.

Detailed technical specifications, content information, quantities and compatible core products are listed online in the technical specifications of the respective accessory.

Industry Mall:

<https://mall.industry.siemens.com>

If you use the TIA Selection Tool (selection guide) to find your core product, the appropriate accessories are also displayed automatically. This facilitates selection of suitable accessories.

<http://www.siemens.com/tia-selection-tool>

Data sheets and manufacturer declarations are available for downloading in the Online Support area.

<http://support.automation.siemens.com>

Accessories

Input tools

Overview



Touch pen system ELO for capacitive or resistive touch screen pen ELO, including holder for 22.5 mm

Input tools

Input tools facilitate operation and input in difficult environments.

Touch pens are often extremely useful when operating touch displays, particularly if you are wearing gloves, because you can operate small buttons or entry fields precisely despite the gloves.

Touch pens also protect the display from dirt and scratching during operation and when used in extreme environments.

The following input tools are available for operating the touch display:

- Touch pen
- Touch pen holder
- Spare caps for touch pens

Please be sure to note the correct touch system when ordering (resistive or capacitive).

Not all touch pens are compatible with all touch types. There are touch pens available for both resistive and capacitive touch systems.

Note:

Continuous operation with hard touch pens on the same part of the display can significantly reduce the service life of a touch screen.

A longer service life can be achieved by using soft, wide-tip pens and variable-position entry fields.

Ordering data

Article No.

Touch pen, thin, resistive

For purely resistive touch screens, incl. retaining cord.

6AV6645-7AB14-0AS1

Touch pen system ELO

For capacitive and resistive touch screens, pen black anodized and suitable for industrial use, including adhesive or screw-on holder. Alternatives to "Touch pen system, aluminum, classic" and "Touch pen, thick, resistive"

6AV6881-0AV21-0AA0

Touch pen system V2A, food-safe

For capacitive and resistive touch screens, pen V2A high-gloss polished and food-safe, incl. stick-on holder (e.g. glass front). Alternative to touch pen system ELO.

6AV6881-0AV22-0AA0

Touch pen caps, classic

Replacement caps for touch pen systems for capacitive and resistive touch screens. Only suitable for touch pen system classic!

6AV2181-8AV60-0AX0

Touch pen caps ELO

Replacement caps for touch pen systems for capacitive and resistive touch screens. Only suitable for touch pen system ELO!

6AV6881-0AV61-0AA0

Touch pen caps V2A

Replacement caps for touch pen systems for capacitive and resistive touch screens. Not suitable for touch pen system classic!

6AV6881-0AV62-1AA0

Touch pen caps RES

Replacement caps for touch pen systems optimized exclusively for resistive touch screens. Only suitable for touch pen system ELO and touch pen system V2A!

6AV6881-0AV63-0BA0

Technical specifications

Article number	6AV6645-7AB14-0AS1	6AV6881-0AV21-0AA0	6AV6881-0AV22-0AA0
	Touch pen, thin, ALU resistive	Touch pen system ELO	Touch pen system V2A
General information			
Product type designation	touch pen, thin, aluminum, resistive technology	universal touch pen system (resistive/capacitive), including support	universal touch pen system (resistive/capacitive), including support
Control elements			
Touch operation			
• operator help touch operation design (resistive)	Yes	Yes	Yes
• operator help touch operation design (capacitive)	No	Yes	Yes
Frame size/design			
• Standard	Yes; For industrial applications	Yes; For industrial applications	Yes; For industrial applications
• Exceptional		Yes; Spare caps can be stowed in the pen	Yes; Spare caps can be stowed in the pen
• Ergonomic		Yes; With holder	Yes; With holder
Installation type/mounting			
Mounting type		Wall-mounting bracket can be mounted with mounting disk, 2x M3 screw or adhesive pads	Wall-mounting bracket can be mounted with mounting disk, 2x M3 screw or adhesive pads
Front mounting		Yes; also optimized for PRO Extension Unit 22.5 mm opening (from HS01)	Yes; also optimized for PRO Extension Unit 22.5 mm opening (from HS01)
Wall mounting/direct mounting	Yes; using approx. 35 cm retaining cord	Yes; using approx. 60 cm retaining cord	Yes; using approx. 60 cm retaining cord
Degree and class of protection			
IP (at the front)		IP65 (depending on mounting)	IP65 (depending on mounting)
Standards, approvals, certificates			
CE mark	No; No CE marking obligation	No; No CE marking obligation	No; No CE marking obligation
REACH	Yes	Yes; Threaded insert screw tip - according to Article 33 of the REACH Regulation, we hereby inform you that the threaded insert supplied by us contains a substance included on the REACH Candidate List (SVHC). The substance in question is lead. CAS number: 7439-92-1 / EC number: 231-100-4	Yes; Threaded insert screw tip - according to Article 33 of the REACH Regulation, we hereby inform you that the threaded insert supplied by us contains a substance included on the REACH Candidate List (SVHC). The substance in question is lead. CAS number: 7439-92-1 / EC number: 231-100-4
RoHS conformity	Yes	Yes	Yes
FDA-compliant			Yes; the included adhesive pads are RoHS compliant, but not FDA§177.2600 compliant
Ambient conditions			
Suited for indoor use	Yes	Yes	Yes
Suited for outdoor use	Yes	Yes; only suitable under certain conditions due to different environmental conditions; replacement cycle can be increased	Yes; only suitable under certain conditions due to different environmental conditions; replacement cycle can be increased
Ambient temperature during operation			
• min.	-40 °C	-40 °C; at temperatures below 10 °C and above 30 °C, the use of suitable gloves is recommended	
• max.	80 °C	80 °C; at temperatures below 10 °C and above 30 °C, the use of suitable gloves is recommended	
Relative humidity			
• Operation, max.	90 %	95 %	95 %

Accessories

Input tools

Technical specifications

Article number	6AV6645-7AB14-0AS1	6AV6881-0AV21-0AA0	6AV6881-0AV22-0AA0
	Touch pen, thin, ALU resistive	Touch pen system ELO	Touch pen system V2A
Mechanics/material			
Material			
• Plastic		Yes; Attachment cord	Yes; Attachment cord
• Aluminum	Yes; pen, anodized	Yes; pen, anodized	
• Stainless steel			Yes; food safe, suitable for F&B
Enclosure material (front)			
• Plastic		Yes; pen holder	Yes; pen holder
Color	Aluminum paint	black, anodized	stainless steel, polished
Enclosure color (front)		Black	Black
Dimensions			
Length	125 mm	150 mm	150 mm
Diameter	8 mm	14 mm	14 mm
Enclosure diameter		37 mm; Diameter wall-mounting bracket	37 mm; Diameter wall-mounting bracket
Mounting cutout, height		39 mm; Height wall-mounting bracket	39 mm; Height wall-mounting bracket
Weights			
Weight (without packaging)		0.13 kg	0.13 kg
Scope of supply			
Delivery quantity in pieces	5; Incl. retaining cord for Mobile Panel 277 10"	1; 1x touch pen, 1x attachment cord, 1x resistive/capacitive cap, 1x resistive cap (in the touch pen), 1x complete wall bracket	1; 1x touch pen, 1x attachment cord, 1x resistive/capacitive cap, 1x resistive cap (in the touch pen), 1x complete wall bracket
Other			
Merchandise	Yes; touch pen, thin, aluminum, resistive technology	Yes; ELO touch pen, small	Yes; touch pen V2A
Manufacturer name	QUERUM products UG	QUERUM products UG	QUERUM products UG
Manufacturer's address	Wirtsstr. 23, 85110 Kipfenberg-Böhming, Germany	Wirtsstr. 23, 85110 Kipfenberg-Böhming, Germany	Wirtsstr. 23, 85110 Kipfenberg-Böhming, Germany
contacting the manufacturer	email: querumproducts@web.de	email: querumproducts@web.de	email: querumproducts@web.de
Target devices	for resistive touch screens	For common capacitive and resistive touch systems	For common capacitive and resistive touch systems
Note:	length of the interconnecting lead approx. 35 cm	length of the interconnecting lead approx. 55 cm ... 62 cm	length of the interconnecting lead approx. 55 cm ... 62 cm

Technical specifications

Article number	6AV2181-8AV60-0AX0	6AV6881-0AV61-0AA0	6AV6881-0AV62-1AA0	6AV6881-0AV63-0BA0
	Touch pen caps	Touch pen caps ELO	Touch pen caps V2A	Touch pen caps RES
General information				
Product type designation	Touch pen caps	Touch pen caps	Touch pen caps	Touch pen caps
Control elements				
Frame size/design				
• Standard	Yes; Special cap for capacitive touch pens	Yes; threaded special cap for universal touch system	Yes; threaded special cap for universal touch system	Yes; special cap only for resistive touch systems
Installation type/mounting				
Wall mounting/direct mounting	Yes; Capacitive touch system	Yes; can be used for touch pen system ELO	Yes; can be used for touch pen system ELO and V2A	Yes; can be used for touch pen system ELO and V2A
Standards, approvals, certificates				
CE mark			No; No CE marking obligation	No; No CE marking obligation
RoHS conformity		Yes; Threaded insert screw tip - according to Article 33 of the REACH Regulation, we hereby inform you that the threaded insert supplied by us contains a substance included on the REACH Candidate List (SVHC). The substance in question is lead. CAS number: 7439-92-1 / EC number: 231-100-4	Yes; FDA§177.2600 compliant	Yes; FDA§177.2600 compliant
FDA-compliant			Yes; FDA§177.2600 compliant	Yes; FDA§177.2600 compliant
Ambient conditions				
Suited for indoor use		Yes	Yes	Yes
Suited for outdoor use	Yes; only suitable under certain conditions due to different environmental conditions; replacement cycle can be increased	Yes; only suitable under certain conditions due to different environmental conditions; replacement cycle can be increased	Yes; only suitable under certain conditions due to different environmental conditions; replacement cycle can be increased	Yes; only suitable under certain conditions due to different environmental conditions; replacement cycle can be increased
Ambient temperature during operation				
• min.	-40 °C; at temperatures below 10 °C and above 30 °C, the use of suitable gloves is recommended	-40 °C; at temperatures below 10 °C and above 30 °C, the use of suitable gloves is recommended	-40 °C; at temperatures below 10 °C and above 30 °C, the use of suitable gloves is recommended	-40 °C; at temperatures below 10 °C and above 30 °C, the use of suitable gloves is recommended
• max.	80 °C; at temperatures below 10 °C and above 30 °C, the use of suitable gloves is recommended	80 °C; at temperatures below 10 °C and above 30 °C, the use of suitable gloves is recommended	80 °C; at temperatures below 10 °C and above 30 °C, the use of suitable gloves is recommended	80 °C; at temperatures below 10 °C and above 30 °C, the use of suitable gloves is recommended
Relative humidity				
• Operation, max.	95 %	95 %	95 %	95 %
Accessories				
belongs to product		can be used for touch pen system ELO	can be used for touch pen system ELO and V2A	can be used for touch pen system ELO and V2A
Mechanics/material				
Material				
• Plastic	Yes	Yes; special cap only for resistive and capacitive touch systems	Yes; special cap only for resistive and capacitive touch systems	Yes; special cap only for resistive touch systems
• Aluminum		Yes	Yes; food safe, suitable for F&B	
• Stainless steel				
Color				
		Aluminum paint	stainless steel, polished	light beige
Torques/forces				
• Tightening torque, max.		Hand-tight	Hand-tight	Hand-tight

Accessories

Input tools

Technical specifications

Article number	6AV2181-8AV60-0AX0	6AV6881-0AV61-0AA0	6AV6881-0AV62-1AA0	6AV6881-0AV63-0BA0
	Touch pen caps	Touch pen caps ELO	Touch pen caps V2A	Touch pen caps RES
Dimensions				
Height	8 mm	8 mm	8 mm	8 mm
Diameter	8 mm	8 mm	8 mm	8 mm
Weights				
Weight (without packaging)	0.8 g	0.8 g	0.8 g	0.8 g
Scope of supply				
Delivery quantity in pieces	10; Caps for touch pen	5; Caps for touch pen	5; Caps for touch pen	5; Caps for touch pen
Other				
Merchandise	Yes; Function depending on touch sensitivity, not suitable for Ceran cooktops, MP377 Daylight, possibly others	Yes; touch replacement cap ELO	Yes; touch replacement cap V2A	Yes; touch replacement cap RES
Manufacturer name	QUERUM products UG	QUERUM products UG	QUERUM products UG	QUERUM products UG
Manufacturer's address	Wirtsstr. 23, 85110 Kipfenberg-Böhming, Germany	Wirtsstr. 23, 85110 Kipfenberg-Böhming, Germany	Wirtsstr. 23, 85110 Kipfenberg-Böhming, Germany	Wirtsstr. 23, 85110 Kipfenberg-Böhming, Germany
contacting the manufacturer	email: querumproducts@web.de	email: querumproducts@web.de	email: querumproducts@web.de	email: querumproducts@web.de
Target devices	For common capacitive and resistive touch systems	For common capacitive and resistive touch systems	For common capacitive and resistive touch systems	For common capacitive and resistive touch systems
Note:	only usable for touch pen 6AV2181-8AV20-0AX0	for Business	food safe, suitable for F&B	food safe, suitable for F&B

More information

Note:

Photos and product images may differ from the actual product.

Detailed technical specifications, content information, quantities and compatible core products are listed online in the technical specifications of the respective accessory.

Industry Mall:

<https://mall.industry.siemens.com>

If you use the TIA Selection Tool (selection guide) to find your core product, the appropriate accessories are also displayed automatically.

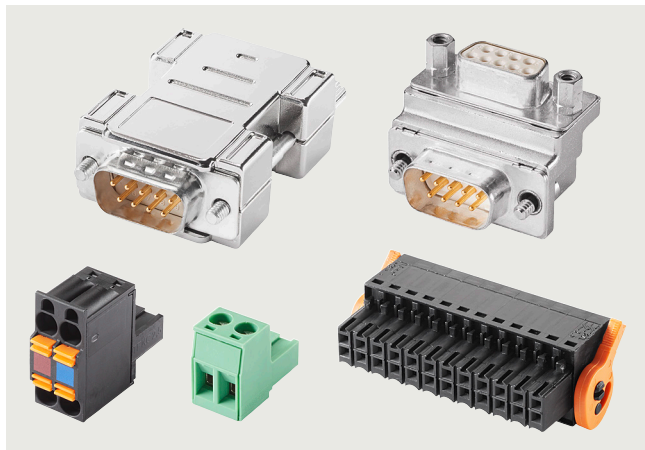
This facilitates selection of suitable accessories.

<http://www.siemens.com/tia-selection-tool>

Data sheets and manufacturer declarations are available for downloading in the Online Support area.

<http://support.automation.siemens.com>

Overview



HMI connecting components

The following HMI connecting components are available for our operator panels and industrial PCs:

- **Converters** change signals from one physical system to another. Example: An RS 232 V.24 signal is converted to a TTY 20mA signal. The transmitted data is not affected.
- **Connectors** are used for connecting devices or expansion components to the power supply, data cables or I/O devices.
- **Adapters** can modify the pinning, as well as the output direction of a connector attached to the core product. It is also possible to implement transitions from "n"-pin" to "x"-pin.

Ordering data

Article No.

Converters

RS422 to RS232 converter

9-pin male contact (on HMI) to 9-pin male contact, to be screwed onto HMI RS422 interface, cable outlet 180 degrees, for connection of non-Siemens PLC

6AV6671-8XE00-0AX0

RS422 to TTY converter

9-pin male contact (on HMI) to 15-pin socket, to be screwed onto HMI RS422 interface, 180 degree cable outlet, for the connection to SIMATIC S5

6AV6671-8XJ00-0AX0

Plugs

24 V DC plug (2-pin)

For all SIMATIC HMI Panels, without screw fixing, loop-through not possible. Approved for all SIMATIC HMI Panels except Key Panels.

6AV6671-8XA00-0AX0

24 V DC plug (2-pin) (can be looped through)

For all SIMATIC HMI Panels, without screw fixing, loop through possible, even with unconnected plug. Approved for Key Panels.

6ES7193-4JB00-0AA0

8-pin connection plug

8-pin, 24 V DC for Extension Unit, etc.

6AV6881-0HE20-0AA0

12-pin connection plug

12-pin, 24 V DC for SIMATIC HMI Key Panel KP8 PN

6AV6671-3XY38-4AX0

16-pin connection plug

16-pin, 24 V DC for SIMATIC HMI Key Panel KP8F PN and Key Panel KP32F PN

6AV6671-3XY48-4AX0

24-pin connection plug

24-pin, 24 V DC for SIMATIC HMI Key Panel KP32F PN

6AV6671-3XY58-4AX0

Adapters

90 degree angle adapter

9-pin male contact (on HMI) to 9-pin socket, 1:1 connection, to be screwed onto the RS485/422/232 HMI interface, or any other suitable interface

6AV6671-8XD00-0AX0

VGA and DVI adapters

For onboard interfaces and PCI-Express graphics card NVS 295

- Display port to VGA adapter
- Display port to DVI-D adapter

6ES7648-3AG00-0XA0
6ES7648-3AF00-0XA0

Accessories

HMI connecting components

Technical specifications

Article number	6AV6671-8XE00-0AX0 RS422 to RS232 converter	6AV6671-8XJ00-0AX0 RS422 to TTY converter
General information		
Product type designation	Converter, RS 422 to RS 232	Converter RS 422 to TTY
Installation type/mounting		
Wall mounting/direct mounting	Yes; Can be screwed onto the HMI	Yes; Can be screwed onto the HMI
Interfaces		
HMI-side interface		
• Number of pins HMI-side	9; Male (RS 422)	9; Male (RS 422)
Device-side interface		
• Number of pins device-side	9; Female (RS 232)	15; Female (TTY)
Degree and class of protection		
IP (all-round)	none	none
Standards, approvals, certificates		
CE mark	Yes	Yes
RoHS conformity	Yes	Yes
China RoHS compliance	Yes	Yes
Ambient conditions		
Ambient temperature during operation		
• min.	0 °C	0 °C
• max.	55 °C	55 °C
Relative humidity		
• Operation, max.	95 %	95 %
Mechanics/material		
Enclosure material (front)		
• Plastic	Yes	Yes
Screw type		
• 4.5 V	Yes; HMI page	Yes; HMI page
Torques/forces		
• Tightening torque, min.	0.18 N·m; Insufficient torque can lead to loosening of the screws	0.18 N·m; Insufficient torque can lead to loosening of the screws
• Tightening torque, max.	0.2 N·m	0.2 N·m
• Tightening torque, recommended	0.2 N·m; Higher torques may damage the product	0.2 N·m; Higher torques may damage the product
Dimensions		
Width	31 mm	42 mm
Height	50 mm	62 mm
Thickness	11 mm	11 mm
Weights		
Weight (without packaging)	26 g	28 g
Scope of supply		
Delivery quantity in pieces	1	1
Other		
Merchandise	No	No
Manufacturer name	SIEMENS AG	SIEMENS AG
Manufacturer's address	Gleiwitzerstraße 555, 90475 Nuremberg, Germany	Gleiwitzerstraße 555, 90475 Nuremberg, Germany
Target devices	suitable for all SIMATIC HMI RS 422 interfaces, for details refer to the operating instructions of the respective device	suitable for all SIMATIC HMI RS 422 interfaces, for details refer to the operating instructions of the respective device

Technical specifications

Article number	6AV6671-8XA00-0AX0 Connector, female, 2-pin, type 1
General information	
Product type designation	Connector, female, 2-pin, type 1
Control elements	
Frame size/design	
• Standard	Yes; Z shape
Installation type/mounting	
Wall mounting/direct mounting	Yes; can be plugged into SIMATIC HMI device
Supply voltage	
Rated value (DC)	24 V
Interfaces	
HMI-side interface	
• Number of pins HMI-side	2; Male
Device-side interface	
• Number of pins device-side	2; Female, screw terminals
Standards, approvals, certificates	
RoHS conformity	Yes
China RoHS compliance	Yes
Use in hazardous areas	
• ATEX Zone 2	Yes; Device-dependent, see operating instructions
• ATEX Zone 22	Yes; Device-dependent, see operating instructions
• IECEx Zone 2	Yes; Device-dependent, see operating instructions
• IECEx Zone 22	Yes; Device-dependent, see operating instructions
• cULus Class I Zone 1	Yes; Device-dependent, see operating instructions
• cULus Class I Zone 2, Division 2	Yes; Device-dependent, see operating instructions
• FM Class I Division 2	Yes; Device-dependent, see operating instructions

Article number	6AV6671-8XA00-0AX0 Connector, female, 2-pin, type 1
Ambient conditions	
Ambient temperature during operation	
• min.	0 °C
• max.	55 °C
Relative humidity	
• Operation, max.	95 %
Mechanics/material	
Material	
• Plastic	Yes; green
Enclosure material (front)	
• Plastic	Yes; Contact spacing 5.08 mm
Screw type	
• 4.5 V	Yes; Screw terminals
Dimensions	
Width	10 mm
Height	15 mm
Thickness	27 mm
Scope of supply	
Delivery quantity in pieces	10
Other	
Merchandise	No
Manufacturer name	SIEMENS AG
Manufacturer's address	Gleiwitzerstraße 555, 90475 Nuremberg, Germany for Comfort Panel, IPC, Flat Panel, Thin Client
Target devices	

Accessories

HMI connecting components

Technical specifications

Article number	6ES7193-4JB00-0AA0 Connector, female, 2x2-pin
General information	
Product type designation	Connector, female, 2x2-pin
Installation type/mounting	
Wall mounting/direct mounting	Yes; can be plugged into SIMATIC HMI device
Supply voltage	
Rated value (DC)	24 V
Interfaces	
HMI-side interface	
• Number of pins HMI-side	2; Outgoing side jumpered internally, color-coded
Device-side interface	
• Number of pins device-side	4; Female, spring-loaded terminals 0.75 mm ²
Standards, approvals, certificates	
CE mark	Yes
RoHS conformity	Yes
China RoHS compliance	Yes

Article number	6ES7193-4JB00-0AA0 Connector, female, 2x2-pin
Ambient conditions	
Ambient temperature during storage/transportation	
• min.	-20 °C
• max.	70 °C
Mechanics/material	
Design of housing	plastic
Dimensions	
Width	10 mm
Height	22 mm
Thickness	25 mm
Scope of supply	
Delivery quantity in pieces	10
Other	
Merchandise	No
Manufacturer name	SIEMENS AG
Manufacturer's address	Gleiwitzerstraße 555, 90475 Nuremberg, Germany
Note:	For ET 200S, interface module, KP32F, PN/PN coupler

Technical specifications

Article number	6AV6881-0HE20-0AA0	6AV6671-3XY38-4AX0	6AV6671-3XY48-4AX0	6AV6671-3XY58-4AX0
	Connector, female, 8-pin	Connector, female, 12-pin	Connector, female, 16-pin	Connector, female, 24-pin
General information				
Product type designation	Connector, female, 8-pin	Connector, female, 12-pin	Connector, female, 16-pin	Connector, female, 24-pin
Installation type/mounting				
Mounting type		Conductor cross-section 0.14 to 1.5 mm ²	Conductor cross-section 0.14 to 1.5 mm ²	
Wall mounting/direct mounting	Yes; can be plugged into SIMATIC HMI device	Yes; can be plugged into SIMATIC HMI device	Yes; can be plugged into SIMATIC HMI device	Yes; can be plugged into SIMATIC HMI device
Supply voltage				
Rated value (DC)	24 V	24 V	24 V	24 V
Interfaces				
HMI-side interface				
• Number of pins HMI-side	8; Female	12; Female, spring-loaded terminals, 3.5 mm grid	16; Female, spring-loaded terminals, 3.5 mm grid	24; Female
Device-side interface				
• Number of pins device-side	8; Female, spring-loaded terminals	12; Female, spring-loaded terminals	16; Female, spring-loaded terminals 0.75 mm ²	24; Female, spring-loaded terminals 0.75 mm ²
Standards, approvals, certificates				
CE mark	Yes	Yes	Yes	Yes
CSA approval	Yes	Yes; 200039-1121690	Yes; 200039-1121690	
UL approval	Yes; E60693	Yes; E60693	Yes; E60693	
cULus		Yes; cURus	Yes; cURus	
EAC (formerly Gost-R)	Yes	Yes	Yes	
RoHS conformity	Yes	Yes	Yes	Yes
China RoHS compliance				Yes
Use in hazardous areas				
• ATEX Zone 2		Yes; Device-dependent, see operating instructions		
• ATEX Zone 22		Yes; Device-dependent, see operating instructions		
• IECEx Zone 2		Yes; Device-dependent, see operating instructions		
• IECEx Zone 22		Yes; Device-dependent, see operating instructions		
• cULus Class I Zone 1		Yes; Device-dependent, see operating instructions		
• cULus Class I Zone 2, Division 2		Yes; Device-dependent, see operating instructions		
• FM Class I Division 2		Yes; Device-dependent, see operating instructions		
Marine approval				
• Germanischer Lloyd (GL)		Yes; Always comply with the operating instructions of the target device.		
• American Bureau of Shipping (ABS)		Yes; Always comply with the operating instructions of the target device.		
• Bureau Veritas (BV)		Yes; Always comply with the operating instructions of the target device.		
• Det Norske Veritas (DNV)		Yes; Always comply with the operating instructions of the target device.		
• Korean Register of Shipping (KRS)		Yes; Always comply with the operating instructions of the target device.		
• Lloyds Register of Shipping (LRS)		Yes; Always comply with the operating instructions of the target device.		
• Nippon Kaiji Kyokai (Class NK)		Yes; Always comply with the operating instructions of the target device.		
• Polski Rejestr Statkow (PRS)		Yes; Always comply with the operating instructions of the target device.		
• Chinese Classification Society (CCS)		Yes; Always comply with the operating instructions of the target device.		

Accessories

HMI connecting components

Technical specifications

Article number	6AV6881-0HE20-0AA0	6AV6671-3XY38-4AX0	6AV6671-3XY48-4AX0	6AV6671-3XY58-4AX0
	Connector, female, 8-pin	Connector, female, 12-pin	Connector, female, 16-pin	Connector, female, 24-pin
Ambient conditions				
Suited for indoor use		Yes; Flammability class according to UL 94-V0	Yes; Flammability class according to UL 94-V0	
Suited for outdoor use		Yes; possible under certain conditions	Yes; possible under certain conditions	
Ambient temperature during operation				
• min.	0 °C	0 °C	0 °C	0 °C
• max.	55 °C	55 °C	55 °C	55 °C
Relative humidity				
• Operation, max.	80 %	80 %	80 %	95 %
Mechanics/material				
Material				
• Plastic	Yes; PA 66 GF 30	Yes; Insulating material PA66 GF30, actuators PA66/6	Yes; Insulating material PA66 GF30, actuators PA66/6	
Enclosure material (front)				
• Plastic	Yes; Spring-loaded terminals 1.5 mm ²	Yes; Spring-loaded terminals 1.5 mm ²	Yes; Spring-loaded terminals 1.5 mm ²	Yes; Spring-loaded terminals 1.5 mm ²
Enclosure color (front)	RAL 9011 (black)	Black	Black	
Enclosure color (rear)	RAL 9011 (black)			
Service life				
• Mechanical service life (mating cycles)		25	25	
Dimensions				
Width	10.5 mm; 8-pin connector	21 mm; 12-pin connector	28 mm; 16-pin connector	16 mm
Height	20 mm	15.2 mm	15.2 mm	54 mm
Depth		26.25 mm	26.25 mm	
Thickness	20 mm			20 mm
Weights				
Weight, approx.		7.9 g	10.5 g	
Weight (without packaging)	5.3 g; Per unit			
Scope of supply				
Delivery quantity in pieces	10; Without ejector	10; Without ejector	10; Without ejector	4; with ejector
Other				
Merchandise	Yes; B2CF 3.50/08/180 SN BK BX O/N:1277480000	Yes	No	No
Manufacturer name	Weidmüller Interface GmbH & Co. KG	Weidmüller Interface GmbH & Co. KG	SIEMENS AG	SIEMENS AG
Manufacturer's address	Klingenbergstraße 16, 32758 Detmold, Germany	Klingenbergstraße 16, 32758 Detmold, Germany	Gleiwitzerstraße 555, 90475 Nuremberg, Germany	Gleiwitzerstraße 555, 90475 Nuremberg, Germany
Target devices	suitable for all appropriate interfaces	for KP8 PN	for KP8F PN, KP32F PN	for KP32F PN

Technical specifications

Article number	6AV6671-8XD00-0AX0 90 degree bracket adapter, 1:1
General information	
Product type designation	90 degree angle adapter, 1:1
Installation type/mounting	
Wall mounting/direct mounting	Yes; Can be screwed onto the HMI
Interfaces	
HMI-side interface	
• Number of pins HMI-side	9; Male
Device-side interface	
• Number of pins device-side	9; Female
Degree and class of protection	
IP (all-round)	none
Standards, approvals, certificates	
CE mark	Yes
RoHS conformity	Yes
China RoHS compliance	Yes
Ambient conditions	
Ambient temperature during operation	
• min.	0 °C
• max.	55 °C
Relative humidity	
• Operation, max.	95 %

Article number	6AV6671-8XD00-0AX0 90 degree bracket adapter, 1:1
Mechanics/material	
Enclosure material (front)	Yes
• Aluminum casting	Yes
Screw type	Yes; HMI page
• 4,5 V	Yes; HMI page
Torques/forces	
• Tightening torque, min.	0.18 N·m; Insufficient torque can lead to loosening of the screws
• Tightening torque, max.	0.2 N·m
• Tightening torque, recommended	0.2 N·m; Higher torques may damage the product
Dimensions	
Width	31 mm
Height	25 mm
Thickness	25 mm
Weights	
Weight (without packaging)	34 g
Scope of supply	
Delivery quantity in pieces	1
Other	
Merchandise	No
Manufacturer name	SIEMENS AG
Manufacturer's address	Gleiwitzerstraße 555, 90475 Nuremberg, Germany
Target devices	suitable for all appropriate interfaces

Accessories

HMI connecting components

Technical specifications

Article number	6ES7648-3AG00-0XA0 Displayport to VGA adapter	6ES7648-3AF00-0XA0 Displayport to DVI-D Adapter
General information		
Product type designation	Adapter	Adapter
Interfaces		
Interfaces/bus type	DisplayPort to VGA adapter	DisplayPort to DVI-D adapter
Device-side interface	For onboard interfaces and PCI graphics card NVS 295	For onboard interfaces and PCI Express graphics card NVS 295
Standards, approvals, certificates		
CE mark	Yes	Yes
KC approval		Yes
FCC Class B	Yes	Yes
RoHS conformity	Yes	Yes
Ambient conditions		
Ambient temperature during operation		
• min.	0 °C	0 °C
• max.	50 °C	50 °C
Relative humidity		
• Condensation permissible	No	No
Cables		
Cable length	178 mm; incl. connector	203 mm; incl. connector
Mechanics/material		
Material		
• Plastic	Yes; PVC	Yes; PVC
Color	PBT, blue / LCP, black	
Dimensions		
Width	36 mm; widest point	44 mm; widest point
Height	11.9 mm; Highest point	20 mm; Highest point
Length	178 mm; total length	203 mm; total length
Width of the housing front	36 mm	
Height of housing front	19 mm	
Scope of supply		
Delivery quantity in pieces	1; Quantity	1; Quantity
Other		
Merchandise	Yes; 117G0-038482-R1 / KS10073-172	Yes; 11720009 / KS10009-172
Manufacturer name	BizLink Technology, Inc.	BizLink Technology, Inc.
Manufacturer's address	47211 Bayside Parkway, Fremont, CA 94538, USA	47211 Bayside Parkway, Fremont, CA 94538, USA
contacting the manufacturer	Phone +1 510 252 0786, email: sales@bizlinktech.com	Phone +1 510 252 0786, email: sales@bizlinktech.com
Target devices	SIMATIC Rack IPC427D, IPC477D, IPC547D, IPC547E, IPC627D, IPC647C, IPC647D, IPC677D, IPC827D, IPC847C, IPC847D	SIMATIC Rack IPC227E, IPC277E, IPC427D, IPC477D, IPC547D, IPC547E, IPC627D, IPC647C, IPC647D, IPC677D, IPC827D, IPC847C, IPC847D

More information

Note:

Photos and product images may differ from the actual product.

Detailed technical specifications, content information, quantities and compatible core products are listed online in the technical specifications of the respective accessory.

Industry Mall:

<https://mall.industry.siemens.com>

If you use the TIA Selection Tool (selection guide) to find your core product, the appropriate accessories are also displayed automatically. This facilitates selection of suitable accessories.

<http://www.siemens.com/tia-selection-tool>

Data sheets and manufacturer declarations are available for downloading in the Online Support area.

<http://support.automation.siemens.com>

Overview



HMI accessories, power supply units, cables, series

Power supply unit and connecting cables

The external power supply unit is intended for laboratory and office operation only.

The following power supply units and non-heating apparatus cables are available:

- Mobile Panel IWLAN power supply unit without non-heating apparatus cable
- Mobile Panel IWLAN power supply unit with non-heating apparatus cable
- Non-heating apparatus cable for Box and Panel PCs

Ordering data

Article No.

Power supply units**Power supply unit, external, Mobile Panel IWLAN without non-heating apparatus cable**

Suitable only for operation under laboratory/office conditions.

6AV6671-5CN00-0AX3**Power supply unit, external, Mobile Panel IWLAN with 90° non-heating apparatus cable**

Suitable only for operation under laboratory/office conditions.

6AV2181-5AL10-0AX0

- Power supply unit with non-heating apparatus cable for Germany, France, Spain, the Netherlands, Belgium, Sweden, Austria, Finland

- Power supply unit with non-heating apparatus cable for the United Kingdom

6AV2181-5AL20-0AX0

- Power supply unit with non-heating apparatus cable for Switzerland

6AV2181-5AL30-0AX0

- Power supply unit with non-heating apparatus cable for USA

6AV2181-5AL40-0AX0

- Power supply unit with non-heating apparatus cable for Italy

6AV2181-5AL50-0AX0

- Power supply unit with non-heating apparatus cable for China

6AV2181-5AL60-0AX0**Power supply cable****Power supply cable 230 V AC, angled 90°**

For Box PCs and Panel PCs

- For Germany, France, Spain, the Netherlands, Belgium, Sweden, Austria, Finland

6ES7900-1AA00-0XA0

- For the United Kingdom

6ES7900-1BA00-0XA0

- For Switzerland

6ES7900-1CA00-0XA0

- For the USA

6ES7900-1DA00-0XA0

- For Italy

6ES7900-1EA00-0XA0

- For China

6ES7900-1FA00-0XA0**Power supply cable 230 V AC, straight 180°**

For Box PCs and Panel PCs

- For Germany, France, Spain, the Netherlands, Belgium, Sweden, Austria, Finland

6ES7900-0AA00-0XA0

- For the United Kingdom

6ES7900-0BA00-0XA0

- For Switzerland

6ES7900-0CA00-0XA0

- For the USA

6ES7900-0DA00-0XA0

- For Italy

6ES7900-0EA00-0XA0

- For China

6ES7900-0FA00-0XA0

Accessories

Power supply units, power supply cords

Technical specifications

Article number	6AV6671-5CN00-0AX3 Power supply AC/DC, external
General information	
Product type designation	Power supply unit
Control elements	
Functional lighting	Yes; LED indicator for power on
Frame size/design	
• Standard	Yes; For industrial applications
Supply voltage	
Rated value (AC)	100 - 240 V AC
Output voltage	
Rated value (DC)	12 V
Output current	
Current output (rated value)	5 A
Standards, approvals, certificates	
CE mark	Yes; TÜV EN 60950-1, BSMI CNS14336
CSA approval	Yes; CSA C22.2
UL approval	Yes; UL 60950-1
cULus	Yes
KC approval	Yes; KC K60950-1
EAC (formerly Gost-R)	Yes; Approved EAC TP TC 004
CCC	Yes; CCC GB4943
FCC Class B	Yes; EN 55032 (CISPR 32), FCC PART 15 / CISPR 22, CAN ICES-3(B)/NMB-3(B), CNS13438, GB17625.1, EAC TP TC 020, MSIP KN32
China RoHS compliance	Yes
Ambient conditions	
Suited for indoor use	Yes
Suited for outdoor use	No
Ambient temperature during operation	
• min.	-30 °C
• max.	50 °C; Up to 70 °C, see manufacturer's data sheet
Relative humidity	
• Operation, max.	90 %; Non-condensing (max. 95% humidity for storage)
Cables	
Cable length	
• Input side	0 m; 3-pole AC inlet IEC320-C14, Class power unit
• Output side	1 m; With ferrite core
Color of cable sheath	Black

Article number	6AV6671-5CN00-0AX3 Power supply AC/DC, external
Connection method	
Connector type	Connector 5.5 mm jack (-) / 2.1 mm pin (+) 12 V DC
Mechanics/material	
Material	
• Plastic	Yes
Color	Black
Service life	
• Mechanical service life (mating cycles)	1; See manufacturer's data sheet
Dimensions	
Width	125 mm
Height	50 mm
Thickness	31.5 mm
Weights	
Weight (without packaging)	305 g
Scope of supply	
Delivery quantity in pieces	1; Incl. DC cable with P1J jack connector, excl. 3-pin AC connecting cable IEC320-C14
Other	
Merchandise	Yes; MeanWell GST60A12-P1J
Manufacturer name	Elpro GmbH Importeur (MEAN WELL)
Manufacturer's address	Marzahnner Straße 34, 13053 Berlin, Germany
Target devices	Standard power supply, e.g. suitable for Mobile Panel IWLAN (always see the Operating Instructions for the target device)
Note:	Manufacturer's address = importer's address (for manufacturer, see commercial goods information text)

Power supply units, power supply cords

Technical specifications

Article number	6AV2181-5AL10-0AX0	6AV2181-5AL20-0AX0	6AV2181-5AL30-0AX0	6AV2181-5AL40-0AX0	6AV2181-5AL50-0AX0	6AV2181-5AL60-0AX0
	Power supply, ext., Mobile P. IWLAN DE	Power supply, ext., Mobile P. IWLAN UK	Power supply, ext., Mobile P. IWLAN SW	Power supply, ext., Mobile P. IWLAN US	Power supply, ext., Mobile P. IWLAN IT	Power supply, ext., Mobile P. IWLAN CN
General information						
Product type designation	External power supply unit	External power supply unit	External power supply unit	External power supply unit	External power supply unit	External power supply unit
Supply voltage						
Rated value (AC)	100 - 240 V AC	100 - 240 V AC	100 - 240 V AC	100 - 240 V AC	100 - 240 V AC	100 - 240 V AC
Output voltage						
Rated value (DC)	12 V	12 V	12 V	12 V	12 V	12 V
Output current						
Current output (rated value)	5 A	5 A	5 A	5 A	5 A	5 A
Standards, approvals, certificates						
CE mark	Yes; UL 69950, TÜV EN 600950-1, BSMI CNS14336, CCC GB4942 approved	Yes; UL 69950, TÜV EN 600950-1, BSMI CNS14336, CCC GB4942 approved	Yes; UL 69950, TÜV EN 600950-1, BSMI CNS14336, CCC GB4942 approved	Yes; UL 69950, TÜV EN 600950-1, BSMI CNS14336, CCC GB4942 approved	Yes; UL 69950, TÜV EN 600950-1, BSMI CNS14336, CCC GB4942 approved	Yes; UL 69950, TÜV EN 600950-1, BSMI CNS14336, CCC GB4942 approved
CCC	Yes	Yes	Yes	Yes	Yes	Yes
Ambient conditions						
Ambient temperature during operation						
• min.	-10 °C	-10 °C	-10 °C	-10 °C	-10 °C	-10 °C
• max.	50 °C	50 °C	50 °C	50 °C	50 °C	50 °C
Relative humidity						
• Operation, max.	90 %	90 %	90 %	90 %	90 %	90 %
Cables						
Cable length						
• Input side	3 m	3 m	3 m	3 m	3 m	3 m
• Output side	0.9 m	0.9 m	0.9 m	0.9 m	0.9 m	0.9 m
Color of cable sheath	Black	Black	Black	Black	Black	Black
Connection method						
Connector type	Connector 5.5 mm jack (-) / 2.1 mm pin (+) 12 V DC	Connector 5.5 mm jack (-) / 2.1 mm pin (+) 12 V DC	Connector 5.5 mm jack (-) / 2.1 mm pin (+) 12 V DC	Connector 5.5 mm jack (-) / 2.1 mm pin (+) 12 V DC	Connector 5.5 mm jack (-) / 2.1 mm pin (+) 12 V DC	Connector 5.5 mm jack (-) / 2.1 mm pin (+) 12 V DC
Mechanics/material						
Material						
• Plastic	Yes	Yes	Yes	Yes	Yes	Yes
Color	Black	Black	Black	Black	Black	Black
Dimensions						
Width	125 mm	125 mm	125 mm	125 mm	125 mm	125 mm
Height	50 mm	50 mm	50 mm	50 mm	50 mm	50 mm
Thickness	31.5 mm	31.5 mm	31.5 mm	31.5 mm	31.5 mm	31.5 mm
Weights						
Weight (without packaging)	540 g	560 g	525 g	540 g	520 g	540 g
Scope of supply						
Delivery quantity in pieces	1; Incl. AC and DC connecting cable	1; Incl. AC and DC connecting cable	1; Incl. AC and DC connecting cable	1; Incl. AC and DC connecting cable	1; Incl. AC and DC connecting cable	1; Incl. AC and DC connecting cable
• Parts per unit	1; AC cable for DE, FR, ES, NL, BE, SE, AT, FI	1; AC cable for GB	1; AC cable for CH	1; AC cable for US	1; AC cable for IT	1; AC cable for CN
Other						
Merchandise	Yes	Yes	Yes	Yes	Yes	Yes
Manufacturer name	SIEMENS AG	SIEMENS AG	SIEMENS AG	SIEMENS AG	SIEMENS AG	SIEMENS AG
Manufacturer's address	Gleiwitzerstraße 555, 90475 Nuremberg, Germany					
Target devices	for Mobile Panel IWLAN	for Mobile Panel IWLAN	for Mobile Panel IWLAN	for Mobile Panel IWLAN	for Mobile Panel IWLAN	for Mobile Panel IWLAN

Accessories

Power supply units, power supply cords

Technical specifications

Article number	6ES7900-0AA00-0XA0	6ES7900-0BA00-0XA0	6ES7900-0CA00-0XA0	6ES7900-0DA00-0XA0	6ES7900-0EA00-0XA0	6ES7900-0FA00-0XA0
	Power cord, Germany and others	Power cord, United Kingdom,	Power cord, Switzerland	Power cord, USA, Canada	Power cord, Italy type L	Power cord, China GB 1002 and others
General information						
Product type designation	Cable for non-heating apparatus	Cable for non-heating apparatus	Cable for non-heating apparatus	Cable for non-heating apparatus	Cable for non-heating apparatus	Cable for non-heating apparatus
Interfaces						
Interfaces/bus type	Line-side, country-specific connector: Type CEE 7/7 Schuko	Line-side, country-specific connector: Type BS 1363 (Commonwealth connector)	Line-side, country-specific connector: Type J (SEV 1011)	Line-side, country-specific connector: Type B (NEMA 5-15)	Line-side, country-specific connector: Type L (CEI 23-50)	Line-side, country-specific connector: Type I: GB 1002 (China), AS 3112 (Australia), IRAM 2073 (Argentina)
Device-side interface						
• Number of pins device-side	3; Female, C13 connector type	3; Female, C13 connector type	3; Female, C13 connector type	3; Female, C13 connector type	3; Female, C13 connector type	3; Female, C13 connector type
Standards, approvals, certificates						
CE mark	Yes	Yes	Yes	Yes	Yes	Yes
Ambient conditions						
Suited for indoor use	Yes; Max. 10 A	Yes; Equipped with internal 13 A melting fuse	Yes; Max. 10 A	Yes; Max. 10 A	Yes; Max. 10 A	Yes; Max. 10 A
Ambient temperature during operation						
• min.	-10 °C	-10 °C	-10 °C	-10 °C	-10 °C	-10 °C
• max.	50 °C	50 °C	50 °C	50 °C	50 °C	50 °C
Relative humidity						
• Operation, max.	90 %	90 %	90 %	90 %	90 %	90 %
Cables						
Cable length	3 m	3 m	3 m	3 m	3 m	3 m
Color of cable sheath	Black	Black	Black	Black	Black	Black
Weights						
Weight, approx.	290 g	300 g	260 g	230 g	255 g	280 g
Scope of supply						
Delivery quantity in pieces	1; AC cable for DE, FR, ES, NL, BE, SE, AT, FI	1; AC cable for GB	1; AC cable for CH	1; AC cable for US	1; AC cable for IT	1; AC cable for CN
Other						
Merchandise	Yes; VII-H05VVF3G100-C13/3,00M SW9005 (L50/PROD)	Yes; BS13/13-H05VVF3G100-C13/3,00M SW9005	Yes; 12G-H05VVF3G100-C13/3,00M SW9005	Yes; 498G-SVT3X18AWG-C13/3,00M SW9005 (GNSWWS)	Yes; I/3G-H05VVF3G100-C13/3,00M SW9005	Yes; PRC/3-H05VVF3G100-C13/3,00M SW9005
Manufacturer name	FELLER GmbH	FELLER GmbH	FELLER GmbH	FELLER GmbH	FELLER GmbH	FELLER GmbH
Manufacturer's address	Wärndorferstraße 3, 2525 Günselsdorf, Austria; email: sales@feller-at.com					
Target devices	Suitable for all appropriate DC interfaces					
Note:	http://www.feller-at.com					

Power supply units, power supply cords

Technical specifications

Article number	6ES7900-1AA00-0XA0	6ES7900-1BA00-0XA0	6ES7900-1CA00-0XA0	6ES7900-1DA00-0XA0	6ES7900-1EA00-0XA0	6ES7900-1FA00-0XA0
	Power cord, Germany	Power cord, United Kingdom,	Power cord, Switzerland	Power cord, USA	Power cord, Italy	Power cord, China
General information						
Product type designation	Cable for non-heating apparatus	Cable for non-heating apparatus	Cable for non-heating apparatus	Cable for non-heating apparatus	Cable for non-heating apparatus	Cable for non-heating apparatus
Interfaces						
Interfaces/bus type	Line-side, country-specific connector: Type CEE 7/7 Schuko	Line-side, country-specific connector: Type BS 1363 (Commonwealth connector)	Line-side, country-specific connector: Type J (SEV 1011)	Line-side, country-specific connector: Type B (NEMA 5-15)	Line-side, country-specific connector: Type L (CEI 23-50)	Line-side, country-specific connector: Type I: GB 1002 (China), AS 3112 (Australia), IRAM 2073 (Argentina)
Device-side interface						
• Number of pins device-side	3; Female, C13 connector type	3; Female, C13 connector type	3; Female, C13 connector type	3; Female, C13 connector type	3; Female, C13 connector type	3; Female, C13 connector type
Standards, approvals, certificates						
CE mark	Yes	Yes	Yes	Yes	Yes	Yes
Ambient conditions						
Suited for indoor use	Yes; Max. 10 A	Yes; Equipped with internal 13 A melting fuse	Yes; Max. 10 A	Yes; Max. 10 A	Yes; Max. 10 A	Yes; Max. 10 A
Ambient temperature during operation						
• min.	-10 °C	-10 °C	-10 °C	-10 °C	-10 °C	-10 °C
• max.	50 °C	50 °C	50 °C	50 °C	50 °C	50 °C
Relative humidity						
• Operation, max.	90 %	90 %	90 %	90 %	90 %	90 %
Cables						
Cable length	3 m	3 m	3 m	3 m	3 m	3 m
Color of cable sheath	Black	Black	Black	Black	Black	Black
Weights						
Weight, approx.	290 g	300 g	260 g	230 g	255 g	280 g
Scope of supply						
Delivery quantity in pieces	1; AC cable for DE, FR, ES, NL, BE, SE, AT, FI	1; AC cable for GB	1; AC cable for CH	1; AC cable for US	1; AC cable for IT	1; AC cable for CN
Other						
Merchandise	Yes; VII-H05VVF3G100-C13W/3,00M SW9005 (L53)	Yes; BS13/13-H05VVF3G100-C13W/3,00M SW9005	Yes; 12G-H05VVF3G100-C13W/3,00M SW9005	Yes; 498G-SVT3X18AWG-C13W/3,00M SW9005 (GNSWWS)	Yes; I/3G-H05VVF3G100-C13W/3,00M SW9005	Yes; PRC/3-H05VVF3G100-C13W/3,00M SW9005
Manufacturer name	FELLER GmbH	FELLER GmbH	FELLER GmbH	FELLER GmbH	FELLER GmbH	FELLER GmbH
Manufacturer's address	Wärndorferstraße 3, 2525 Günselsdorf, Austria; email: sales@feller-at.com					
Target devices	Suitable for all appropriate DC interfaces					
Note:	http://www.feller-at.com					

More information

Notice:

The technical specifications remain unchanged; however, the power supply cable now has to be ordered separately.

Suitable SITOP power supplies are available for use with machinery and plants.

Network cables for the connection of IPC systems for various countries are also available.

The replacement type has the article number: 6AV6671-5CN00-0AX3

Note:

Photos and product images may differ from the actual product.

Detailed technical specifications, content information, quantities and compatible core products are listed online in the technical specifications of the respective accessory.
Industry Mall:

<https://mall.industry.siemens.com>

If you use the TIA Selection Tool (selection guide) to find your core product, the appropriate accessories are also displayed automatically. This facilitates selection of suitable accessories.

<http://www.siemens.com/tia-selection-tool>

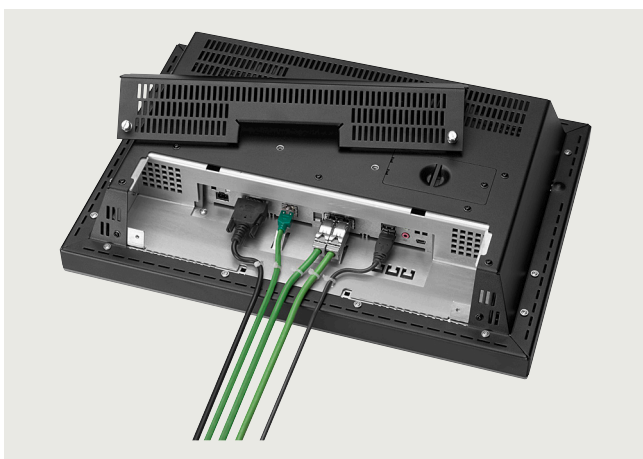
Data sheets and manufacturer declarations are available for downloading in the Online Support area.

<http://support.automation.siemens.com>

Accessories

Back covers

Overview



Back cover IP20, partly installed

The back covers in IP20 design are ideal for simple mounting of Panels, Panel PCs, Flat Panels and industrial Thin Clients on VESA 100 brackets.

They are screwed onto the device and implement low-cost wall-mounting or connection to a supporting arm system.

Back covers are available for display size 15", 19" and 22" for the following SIMATIC HMI devices:

- Touch Panels
- Panel PC IPC477D ¹⁾ and IPC277D
- Flat Panels
- Thin Clients

¹⁾ IPC477D 15" is only available as a single touch version.

Ordering data

Back covers IP20

15" devices
 • IPC477D 15" MT ¹⁾

22" devices
 • IPC477D 22" ¹⁾

¹⁾ Without DVD/PCIe expansion

Article No.

6AV7675-2RH00-0AA0

6AV7675-2RE00-0AA0

Technical specifications

Article number	6AV7675-2RH00-0AA0 BACK COVER IP20 15" (IPC477D MT)
General information	
Product type designation	Backplane cover
Installation type/mounting	
Mounting type	VESA
Mounting in portrait format possible	Yes
Mounting in landscape format possible	Yes
Degree and class of protection	
IP (rear)	IP20
Standards, approvals, certificates	
CE mark	Yes; CE marking / EC Declaration of Conformity
cULus	Yes; UL 60950-1, file number E115352
RoHS conformity	Yes
China RoHS compliance	Yes
Ambient conditions	
Ambient temperature during operation	
• min.	
• max.	40 °C
Relative humidity	
• Operation, max.	95 %
• Condensation permissible	No
Mechanics/material	
Material	
• Aluminum	Yes
Screw type	
• Torx	Yes; T10
Dimensions	
Width	416.5 mm
Height	298 mm
Depth	89 mm
Weights	
Weight (without packaging)	1.6 kg

Article number	6AV7675-2RE00-0AA0 back cover IP20 22" (IPC477x)
General information	
Product type designation	Backplane cover
Installation type/mounting	
Mounting type	VESA
Mounting in portrait format possible	Yes
Mounting in landscape format possible	Yes
Degree and class of protection	
IP (rear)	IP20
Standards, approvals, certificates	
CE mark	Yes; CE marking / EC Declaration of Conformity
cULus	Yes; UL 60950-1, file number E115352
RoHS conformity	Yes
China RoHS compliance	Yes
Ambient conditions	
Ambient temperature during operation	
• min.	
• max.	40 °C
Relative humidity	
• Operation, max.	95 %
• Condensation permissible	No
Mechanics/material	
Material	
• Aluminum	Yes
Screw type	
• Torx	Yes; T10
Dimensions	
Width	560 mm
Height	380 mm
Depth	89 mm
Weights	
Weight (without packaging)	2.2 kg

More informationNote:

Photos and product images may differ from the actual product.

Detailed technical specifications, content information, quantities and compatible core products are listed online in the technical specifications of the respective accessory.

Industry Mall:

<https://mall.industry.siemens.com>

If you use the TIA Selection Tool (selection guide) to find your core product, the appropriate accessories are also displayed automatically. This facilitates selection of suitable accessories.

<http://www.siemens.com/tia-selection-tool>

Data sheets and manufacturer declarations are available for downloading in the Online Support area.

<http://support.automation.siemens.com>

Accessories

Protective films

Overview



Protective film 24"; front type 5, full-area adhesive matt reflection shield

Protective films

Protective films are available for almost all SIMATIC HMI devices. They protect the display from dirt and scratching during operation and in harsh environments. The SIMATIC protective films are non-reflective. This ensures that the display is always easy to read, even when using protective films. The protective film can be removed without leaving any adhesive residue on the front. Adhesive-edged protective films are now available for resistive touch systems (membrane touch). For multi-touch systems (typically with glass fronts), full-width adhesive protective films are available. Full-width adhesive films should not be used on single-touch systems, as the touch system could be damaged when removing the film. All full-width adhesive films can be trimmed to any size, this does not affect the quality of the film. Adhesive-edged films should not be trimmed, as this would lead to the loss of the adhesive edge.

For complete protection of the front side in harsh environments, protective covers are also available for some devices.

Benefits of protective films/protective covers:

- Reduced reflections and mirroring
- Lightweight, thin and frameless design
- Simple and fast to attach
- Residue-free removal
- Dust-resistant
- Antibacterial coating, e.g. for medical area or food and beverage (please note: only options with BAC¹⁾ marking)

The protective film does not always need to cover the whole front. For compatibility reasons, not all protective films extend as far as the edge of the enclosure. This does not in any way impair the function of protecting the display.

¹⁾ BAC stands for antibacterial coating. These films are suitable in particular for the F&B and pharmaceuticals industries, or wherever hygiene is a priority.

Ordering data	Article No.	Article No.
Protective films 4"		
• Touch devices	6AV6671-2EC00-0AX0	
• Widescreen	6AV2124-6DJ00-0AX0	
• Widescreen, Type 13	6AV2181-5DJ00-0AX0	
Protective films 6"		
• Touch devices, Type 1	6AV6574-1AD00-4AX0	
• Touch devices, Type 2	6AV6574-1AD00-4DX0	
• Touch devices, Type 4	6AV6671-2XC00-0AX0	
• Touch devices, Type 10	6AV6574-1AD04-4AA0	
Protective films 7"		
• Widescreen	6AV2124-6GJ00-0AX0	
• Widescreen, Type 5 Unified / IPC	6AV6881-0GJ22-0AA0	
• Widescreen, Type 5 BAC ¹⁾ Unified / IPC	6AV6881-0GJ22-1AA0	
• Widescreen, Type 13	6AV2181-5GJ00-0AX0	
Protective films 8"		
• Touch devices, Type 1	6AV6671-3CC00-0AX0	
• Touch devices, Type 2	6AV6671-3CC00-0AX5	
• Touch devices, Type 10	6AV6671-5BC00-0AX0	
Protective films 9"		
• Widescreen, Type 1	6AV2124-6JJ00-0AX0	
• Widescreen, Type 2	6AV2181-3JJ20-0AX0	
• Widescreen, Type 13	6AV2181-5JJ00-0AX0	
Protective films 10"		
• Touch devices, Type 1	6AV6671-3DC00-0AX0	
• Touch devices, Type 2	6AV6671-3DC00-0AX5	
• Widescreen "full-surface bonding", Type 4	6AV6881-0AJ21-0AA0	
• Widescreen, Type 5 Unified / IPC	6AV6881-0KJ22-0AA0	
• Widescreen, Type 5 BAC ¹⁾ Unified / IPC	6AV6881-0KJ22-1AA0	
• Touch devices, Type 10	6AV6645-7AB15-0AS0	
Protective films for 10" to 12" touch devices	6AV6574-1AD00-4CX0	
		Protective films 12"
		• Widescreen, Type 1
		6AV2124-6MJ00-0AX0
		• Widescreen, Type 2
		6AV2181-3MJ20-0AX0
		• Widescreen, Type 5 Unified / IPC
		6AV6881-0MJ22-0AA0
		• Widescreen, Type 5 BAC ¹⁾ Unified / IPC
		6AV6881-0MJ22-1AA0
		• Protective film, Type 6 IFP
		6AV6881-7MJ13-2AA0
		Protective films 15"
		• Touch devices
		6AV6574-1AD00-4EX0
		• Widescreen
		6AV2124-6QJ00-0AX1
		• Widescreen, Type 5 Unified / IPC
		6AV6881-0QJ22-0AA0
		• Widescreen, Type 5 BAC ¹⁾ Unified / IPC
		6AV6881-0QJ22-1AA0
		• Protective film, Type 6 IFP
		6AV6881-7QJ13-2AA0
		Protective films 19"
		• Touch devices
		6AV7672-1CE00-0AA0
		• Widescreen
		6AV2124-6UJ00-0AX1
		• Widescreen "full-surface bonding"
		6AV6881-0UJ20-0AA0
		• Widescreen, Type 5 Unified / IPC
		6AV6881-0UJ22-0AA0
		• Widescreen, Type 5 BAC ¹⁾ Unified / IPC
		6AV6881-0UJ22-1AA0
		• Protective film, Type 6 IFP
		6AV6881-7UJ13-2AA0
		Protective films 22"
		• Widescreen
		6AV2124-6XJ00-0AX1
		• Widescreen, Type 5 Unified / IPC
		6AV6881-0VJ22-0AA0
		• Widescreen, Type 5 BAC ¹⁾ Unified / IPC
		6AV6881-0VJ22-1AA0
		• Protective film, Type 6 IFP
		6AV6881-7VJ13-2AA0
		Protective films 24"
		• Widescreen, Type 5 Unified / IPC
		6AV6881-0WJ22-0AA0

¹⁾ BAC stands for antibacterial coating. These films are suitable in particular for the F&B and pharmaceuticals industries, or wherever hygiene is a priority.

Accessories

Protective films

Technical specifications

Article number	6AV6671-2EC00-0AX0	6AV2124-6DJ00-0AX0	6AV2181-5DJ00-0AX0
	Protect. Film 4" Touch Device	Protect. Film 4" Widescreen	Protect. film 4" widescreen, type 13
General information			
Product type designation	Protective film 4"	Protective film 4" widescreen	Protective film 4" widescreen
Installation type/mounting			
Mounting in portrait format possible	Yes	Yes	Yes
Mounting in landscape format possible	Yes	Yes	Yes
Standards, approvals, certificates			
CE mark	Yes	Yes	Yes
RoHS conformity	Yes	Yes	
Ambient conditions			
Ambient temperature during operation			
• min.	-40 °C	-40 °C	-40 °C
• max.	80 °C	80 °C	80 °C
Relative humidity			
• Operation, max.	90 %	90 %	90 %
• Condensation permissible		No	No
Mechanics/material			
Material			
• Plastic	Yes; Nonreflecting	Yes; Nonreflecting	Yes; Nonreflecting
Dimensions			
Width	120 mm	131.4 mm	110.1 mm
Height	105 mm	107.4 mm	68.9 mm
Thickness	0.125 mm	0.125 mm	0.125 mm
Scope of supply			
Delivery quantity in pieces	10	10	10
Other			
printable with laser printer	Yes	Yes	No
Merchandise	No	No	No
Manufacturer name	SIEMENS AG	SIEMENS AG	SIEMENS AG
Manufacturer's address	Gleiwitzerstraße 555, 90475 Nuremberg, Germany	Gleiwitzerstraße 555, 90475 Nuremberg, Germany	Gleiwitzerstraße 555, 90475 Nuremberg, Germany
Target devices	for TP 177B 4", KTP 400 Basic	For KTP400 Basic, KTP400 Basic 2nd, KTP400 Comfort, KTP400F Mobile	KTP400F Mobile 4"

Technical specifications

Article number	6AV6671-3DC00-0AX0	6AV6671-3DC00-0AX5	6AV6881-0AJ21-0AA0	6AV6881-0KJ22-0AA0	6AV6881-0KJ22-1AA0	6AV6645-7AB15-0AS0	6AV6574-1AD00-4CX0
	Protect. Film 10" Touch Device, Type 1	Protect. Film 10" Touch Device, Type 2	Protect. film 10" widescreen, type 4	Protect. film 10" front, type 5	Protect. film 10" BAC front, type 5	Protect. film 10" Touch device, type10	Protect. Film 10" to 12" Touch Device
General information							
Product type designation	Protective film 10"	Protective film 10"	Protective film 10" widescreen, type 4	Protective film 10" front, surface, type 5	Protective film 10" front, surface, type 5	Protective film 10"	Protective film 10" ... 12"
Installation type/mounting							
Mounting in portrait format possible	Yes	Yes	Yes	Yes	Yes	Yes	Yes
Mounting in landscape format possible	Yes	Yes	Yes	Yes	Yes	Yes	Yes
Standards, approvals, certificates							
CE mark	Yes	Yes	No; No CE marking obligation			Yes	Yes
REACH			Yes; Tested				
EAC (formerly Gost-R)				Yes	Yes		
RoHS conformity		Yes	Yes; unnecessary	Yes; unnecessary	Yes; unnecessary		
Ambient conditions							
Suited for indoor use			Yes	Yes; Processing temperature 5 °C to 32 °C, empirical value			
Suited for outdoor use			No; possible under certain conditions	No; possible under certain conditions	No; possible under certain conditions		
Ambient temperature during operation							
• min.	-40 °C	-40 °C	0 °C	-20 °C	-20 °C	-40 °C	-40 °C
• max.	80 °C	80 °C	55 °C	80 °C	80 °C	80 °C	50 °C
Relative humidity							
• Operation, max.	90 %	90 %	50 %	50 %	50 %	90 %	90 %
Accessories							
Function description					antibacterial		
Mechanics/material							
Material			Polyester with functional hard layer, dirt-repellant, URM55, silicone adhesive layer				
• Plastic	Yes; Nonreflecting	Yes; Nonreflecting	Yes; Non-reflecting, matte, can be removed without residue, hard-coated, dirt-repellant			Yes; Nonreflecting	Yes; Polyester; non-reflecting
• PET			Yes; Non-antistatic, non-reflecting, scratch-resistant, can be removed without residue				
Enclosure material (front)			Scratching	Scratch resistance 2H (acc. to JIS K 5600), adhesive force 0.011 N/25 mm (acc. to JIS Z 0237)			
• Plastic				Yes; Haze 11.9% acc. to JIS K 7136 and transmission 90.5% acc. to JIS K 7361-1			
• PET				Yes; Basic foil, storage life > 1 year			
Dimensions							
Width	292 mm	299.8 mm	216.96 mm	277 mm	277 mm	223.17 mm	297.4 mm
Height	248 mm	259.9 mm	135.6 mm	198 mm	198 mm	170.37 mm	254.4 mm
Thickness	0.125 mm	0.125 mm	0.225 mm; Corners radius 0 mm	0.225 mm; Corners radius 3.1 mm	0.225 mm; Corners radius 3.1 mm	0.3 mm	0.125 mm
Weights							
Weight (without packaging)			30 g; Per unit	16 g; Per unit	16 g; Per unit		

Accessories

Protective films

Technical specifications

Article number	6AV6671-3DC00-0AX0	6AV6671-3DC00-0AX5	6AV6881-0AJ21-0AA0	6AV6881-0KJ22-0AA0	6AV6881-0KJ22-1AA0	6AV6645-7AB15-0AS0	6AV6574-1AD00-4CX0
	Protect. Film 10" Touch Device, Type 1	Protect. Film 10" Touch Device, Type 2	Protect. film 10" widescreen, type 4	Protect. film 10" front, type 5	Protect. film 10 BAC front, type 5	Protect. film 10" Touch device, type10	Protect. Film 10" to 12" Touch Device
Scope of supply							
Delivery quantity in pieces	10	10	5; Units per set	5; Units per set	5; Units per set	10	10
Components included			5x removers, 5x cleaning cloths, 5x spatulas for applying				
Other							
printable with laser printer	Yes	Yes; Test printer suitability beforehand. No liability for printer damage	No; suitable for screen printing or UV printing	No	No	Yes	Yes
Merchandise	No	No	Yes; URM55 reflection shield, matte	Yes; URM55 reflection shield, matte	Yes; URM55 reflection shield, matte		No
Manufacturer name	SIEMENS AG	SIEMENS AG	Bedifol GmbH	Bedifol GmbH	Bedifol GmbH	SIEMENS AG	SIEMENS AG
Manufacturer's address	Gleiwitzerstraße 555, 90475 Nuremberg, Germany		Byk-Gulden-Straße 2 // F22, 78467 Constance, Germany			Gleiwitzerstraße 555, 90475 Nuremberg, Germany	
contacting the manufacturer			Phone +49 (7531) 12738 10, email: info@bedifol.com	phone: +49 (7531) 12738-60, email: shop@schutzfolien24.de			
Target devices			SIMATIC ITP1000	Panels and IPC with start of delivery from 2020 (WFP2.3)		for Mobile Panel 277 10"	
Note:			Surface-adhesive film, can be trimmed, printable, observe target device manual before attaching, limited suitability for resistive touch systems	Surface-adhesive film, can be trimmed, printable, observe target device manual before attaching, limited suitability for resistive touch systems			

Technical specifications

Article number	6AV6574-1AD00-4AX0	6AV6574-1AD00-4DX0	6AV6671-2XC00-0AX0	6AV6574-1AD04-4AA0
	Protect. Film 6" Touch Device, Type 1	Protect. Film 6" Touch Device, Type 2	Protect. Film 6" Touch Device, Type 3	Protect. Film 6" Touch Device, Type 10
General information				
Product type designation	Protective film 6"	Protective film 6"	Protective film 6"	Protective film 6"
Installation type/mounting				
Mounting in portrait format possible	Yes	Yes	Yes	Yes
Mounting in landscape format possible	Yes	Yes	Yes	Yes
Standards, approvals, certificates				
CE mark	Yes	Yes	Yes	Yes
Ambient conditions				
Ambient temperature during operation				
• min.	-40 °C	-40 °C	-40 °C	-40 °C
• max.	50 °C	50 °C	80 °C	80 °C
Relative humidity				
• Operation, max.	90 %	90 %	90 %	90 %
Mechanics/material				
Material				
• Plastic	Yes; Nonreflecting	Yes; Nonreflecting	Yes; Nonreflecting	Yes; Nonreflecting
Dimensions				
Width	118.4 mm	178.4 mm	179.4 mm	120.5 mm
Height	89 mm	135.4 mm	141.4 mm	91 mm
Thickness	0.125 mm	0.125 mm	0.125 mm	0.125 mm
Scope of supply				
Delivery quantity in pieces	10	10	10	10
Other				
printable with laser printer	Yes	Yes	Yes	Yes
Merchandise	No	No	No	No
Manufacturer name	SIEMENS AG	SIEMENS AG	SIEMENS AG	SIEMENS AG
Manufacturer's address	Gleiwitzerstraße 555, 90475 Nuremberg, Germany	Gleiwitzerstraße 555, 90475 Nuremberg, Germany	Gleiwitzerstraße 555, 90475 Nuremberg, Germany	Gleiwitzerstraße 555, 90475 Nuremberg, Germany
Target devices	For TP070, TP170micro, TP170A/B, C7-635 touch	For TP270 6", TP277 6", MP177 6" touch, MP270B 6" touch	for TP 177micro, TP 177A, TP 177B, OP 177B, KTP 600 Basic	For Mobile Panel 170, Mobile Panel 177

Accessories

Protective films

Technical specifications

Article number	6AV2181-5GJ00-0AX0 Protect. film 7" widescreen, type 13	6AV2124-6GJ00-0AX0 Protect. film 7" widescreen	6AV6881-0GJ22-0AA0 Protect. film 7" front, type 5	6AV6881-0GJ22-1AA0 Protect. film 7 BAC front, type 5
General information				
Product type designation	Protective film 7" widescreen	Protective film 7" widescreen	Protective film 7" front, surface, type 5	Protective film 7" front, surface, type 5
Installation type/mounting				
Mounting in portrait format possible	Yes	Yes	Yes	Yes
Mounting in landscape format possible	Yes	Yes	Yes	Yes
Standards, approvals, certificates				
CE mark	Yes	Yes	No; No CE marking obligation	No; No CE marking obligation
EAC (formerly Gost-R)			Yes	Yes
RoHS conformity		Yes	Yes; unnecessary	Yes; unnecessary
Ambient conditions				
Suited for indoor use			Yes; Processing temperature 5 °C to 32 °C, empirical value	Yes; Processing temperature 5 °C to 32 °C, empirical value
Suited for outdoor use			No; possible under certain conditions	No; possible under certain conditions
Ambient temperature during operation				
• min.	-40 °C	-40 °C	-20 °C	-20 °C
• max.	80 °C	80 °C	80 °C	80 °C
Relative humidity				
• Operation, max.	90 %	90 %	50 %	50 %
• Condensation permissible	No	No		
Accessories				
Function description				antibacterial
Mechanics/material				
Material			Polyester with functional hard layer, dirt-repellant, URM55, silicone adhesive layer	
• Plastic	Yes; Nonreflecting	Yes; Nonreflecting	Yes; Non-reflecting, matte, can be removed without residue, hard-coated, dirt-repellant	
• PET			Yes; Non-antistatic, non-reflecting, scratch-resistant, can be removed without residue	
Enclosure material (front)			Scratch resistance 2H (acc. to JIS K 5600), adhesive force 0.011 N/25 mm (acc. to JIS Z 0237)	
• Plastic			Yes; Haze 11.9% acc. to JIS K 7136 and transmission 90.5% acc. to JIS K 7361-1	
• PET			Yes; Basic foil, storage life > 1 year	
Dimensions				
Width	169.5 mm	205.4 mm	206 mm	206 mm
Height	108.5 mm	149.4 mm	150 mm	150 mm
Thickness	0.125 mm	0.125 mm	0.225 mm; Corners radius 3.1 mm	0.225 mm; Corners radius 3.1 mm
Weights				
Weight (without packaging)			8 g; Per unit	8 g; Per unit

Technical specifications

Article number	6AV2181-5GJ00-0AX0 Protect. film 7" widescreen, type 13	6AV2124-6GJ00-0AX0 Protect. film 7" widescreen	6AV6881-0GJ22-0AA0 Protect. film 7" front, type 5	6AV6881-0GJ22-1AA0 Protect. film 7 BAC front, type 5
Scope of supply				
Delivery quantity in pieces	10; Units per set	10	5; Units per set	5; Units per set
Components included	10x protective films without additional accessories/components		5x removers, 5x cleaning cloths, 1x spatula for applying	5x removers, 5x cleaning cloths, 1x spatula for applying
Other				
printable with laser printer	No	No; digital UV printing	No	No
Merchandise	No	No	Yes; URM55 reflection shield, matte	Yes; URM55 reflection shield, matte
Manufacturer name	SIEMENS AG	SIEMENS AG	Bedifol GmbH	Bedifol GmbH
Manufacturer's address	Gleiwitzerstraße 555, 90475 Nuremberg, Germany	Gleiwitzerstraße 555, 90475 Nuremberg, Germany	Byk-Gulden-Straße 2 // F22, 78467 Constance, Germany	Byk-Gulden-Straße 2 // F22, 78467 Constance, Germany
contacting the manufacturer			phone: +49 (7531) 12738-60, email: shop@schutzfolien24.de	
Target devices	KTP700 Mobile, KTP700F Mobile	for KTP700 Basic 2nd, TP700 Comfort, IPC277D	Panels and IPC with start of delivery from 2020 (WFP2.3)	Panels and IPC with start of delivery from 2020 (WFP2.3)
Note:		Edge-adhesive film, can be trimmed to a limited extent, printable, observe target device manual before attaching, high suitability for resistive touch systems, limited suitability for glass fronts	Surface-adhesive film, can be trimmed, printable, observe target device manual before attaching, limited suitability for resistive touch systems	

Accessories

Protective films

Technical specifications

Article number	6AV6671-3CC00-0AX0	6AV6671-3CC00-0AX5	6AV6671-5BC00-0AX0
	Protect. Film 8" Touch Device, Type 1	Protect. Film 8" Touch Device, Type 2	Protect. film 8" Touch device, type 10
General information			
Product type designation	Protective film 8"	Protective film 8"	Protective film 8"
Installation type/mounting			
Mounting in portrait format possible	Yes	Yes	Yes
Mounting in landscape format possible	Yes	Yes	Yes
Standards, approvals, certificates			
CE mark	Yes	Yes	Yes
RoHS conformity		Yes	
Ambient conditions			
Ambient temperature during operation			
• min.	-40 °C	-40 °C	-40 °C
• max.	80 °C	80 °C	80 °C
Relative humidity			
• Operation, max.	90 %	90 %	90 %
Mechanics/material			
Material			
• Plastic	Yes; Nonreflecting	Yes; Nonreflecting	Yes; Nonreflecting
Dimensions			
Width	207 mm	217 mm	155.5 mm
Height	165 mm	217 mm	117.7 mm
Thickness	0.125 mm	0.125 mm	0.3 mm
Scope of supply			
Delivery quantity in pieces	10	10	2
Other			
printable with laser printer	Yes	Yes	Yes
Merchandise	No	No	No
Manufacturer name	SIEMENS AG	SIEMENS AG	SIEMENS AG
Manufacturer's address	Gleiwitzerstraße 555, 90475 Nuremberg, Germany	Gleiwitzerstraße 555, 90475 Nuremberg, Germany	Gleiwitzerstraße 555, 90475 Nuremberg, Germany
Target devices	For MP277 8" touch up to product version "ES 14"	For MP277 8" touch in product version "ES 15" and later	for Mobile Panel 277 8"

Technical specifications

Article number	6AV2124-6JJ00-0AX0	6AV2181-3JJ20-0AX0	6AV2181-5JJ00-0AX0
	Protect. Film 9" Widescreen	Protect. Film 9" Widescreen, Type 2	Protect. film 9" widescreen, type 13
General information			
Product type designation	Protective film 9" widescreen	Protective film 9" widescreen	Protective film 9" widescreen
Installation type/mounting			
Mounting in portrait format possible	Yes	Yes	Yes
Mounting in landscape format possible	Yes	Yes	Yes
Standards, approvals, certificates			
CE mark	Yes	Yes	Yes
RoHS conformity	Yes		
Ambient conditions			
Ambient temperature during operation			
• min.	-40 °C	-40 °C	-40 °C
• max.	80 °C	80 °C	80 °C
Relative humidity			
• Operation, max.	90 %	90 %	90 %
• Condensation permissible	No	No	No
Mechanics/material			
Material			
• Plastic	Yes; Nonreflecting	Yes; Nonreflecting	Yes; Nonreflecting
Dimensions			
Width	265.4 mm	258.4 mm	214.6 mm
Height	181.4 mm	173.4 mm	134.6 mm
Thickness	0.125 mm	0.125 mm	0.125 mm
Scope of supply			
Delivery quantity in pieces	10	10	10
Other			
printable with laser printer	Yes	Yes	No
Merchandise	No	No	No
Manufacturer name	SIEMENS AG	SIEMENS AG	SIEMENS AG
Manufacturer's address	Gleiwitzerstraße 555, 90475 Nuremberg, Germany	Gleiwitzerstraße 555, 90475 Nuremberg, Germany	Gleiwitzerstraße 555, 90475 Nuremberg, Germany
Target devices	for TP900 Comfort, IPC277D	for KTP900 Basic	KTP900 Mobile, KTP900F Mobile

Accessories

Protective films

Technical specifications

Article number	6AV6881-0MJ22-1AA0 Protect. film 12" BAC front, type 5	6AV2124-6MJ00-0AX0 Protect. Film 12" Widescreen	6AV2181-3MJ20-0AX0 Protect. Film 12" Widescreen, Type 2	6AV6881-0MJ22-0AA0 Protect. film 12" front, type 5
General information				
Product type designation	Protective film 12" front, surface, type 5	Protective film 12" widescreen	Protective film 12" widescreen	Protective film 12" front, surface, type 5
Installation type/mounting				
Mounting in portrait format possible	Yes	Yes	Yes	Yes
Mounting in landscape format possible	Yes	Yes	Yes	Yes
Standards, approvals, certificates				
CE mark	No; No CE marking obligation	Yes	Yes	No; No CE marking obligation
EAC (formerly Gost-R)	Yes			Yes
RoHS conformity	Yes; unnecessary	Yes		Yes; unnecessary
Ambient conditions				
Suited for indoor use	Yes; Processing temperature 5 °C to 32 °C, empirical value			Yes; Processing temperature 5 °C to 32 °C, empirical value
Suited for outdoor use	No; possible under certain conditions			No; possible under certain conditions
Ambient temperature during operation				
• min.	-20 °C	-40 °C	-40 °C	-20 °C
• max.	80 °C	80 °C	80 °C	80 °C
Relative humidity				
• Operation, max.	50 %	90 %	90 %	50 %
• Condensation permissible		No	No	
Accessories				
Function description	antibacterial			
Mechanics/material				
Material	Polyester with functional hard layer, dirt-repellant, URM55, silicone adhesive layer			Polyester with functional hard layer, dirt-repellant, URM55, silicone adhesive layer
• Plastic	Yes; Non-reflecting, matte, can be removed without residue, hard-coated, dirt-repellant	Yes; Nonreflecting	Yes; Nonreflecting	Yes; Non-reflecting, matte, can be removed without residue, hard-coated, dirt-repellant
• PET	Yes; Non-antistatic, non-reflecting, scratch-resistant, can be removed without residue			Yes; Non-antistatic, non-reflecting, scratch-resistant, can be removed without residue
Enclosure material (front)	Scratch resistance 2H (acc. to JIS K 5600), adhesive force 0.011 N/25 mm (acc. to JIS Z 0237)			Scratch resistance 2H (acc. to JIS K 5600), adhesive force 0.011 N/25 mm (acc. to JIS Z 0237)
• Plastic	Yes; Haze 11.9% acc. to JIS K 7136 and transmission 90.5% acc. to JIS K 7361-1			Yes; Haze 11.9% acc. to JIS K 7136 and transmission 90.5% acc. to JIS K 7361-1
• PET	Yes; Basic foil, storage life > 1 year			Yes; Basic foil, storage life > 1 year
Dimensions				
Width	318 mm	321.4 mm	321.4 mm	318 mm
Height	229 mm	232.4 mm	236.8 mm	229 mm
Thickness	0.225 mm; Corners radius 3.1 mm	0.125 mm	0.125 mm	0.225 mm; Corners radius 3.1 mm
Weights				
Weight (without packaging)	22 g; Per unit			22 g; Per unit

Technical specifications

Article number	6AV6881-0MJ22-1AA0	6AV2124-6MJ00-0AX0	6AV2181-3MJ20-0AX0	6AV6881-0MJ22-0AA0
	Protect. film 12 BAC front, type 5	Protect. Film 12" Widescreen	Protect. Film 12" Widescreen, Type 2	Protect. film 12" front, type 5
Scope of supply				
Delivery quantity in pieces	5; films per package	10	10	5; films per package
Components included	5x removers, 5x cleaning cloths, 1x spatula for applying			5x removers, 5x cleaning cloths, 1x spatula for applying
Other				
printable with laser printer	No	Yes	Yes	No
Merchandise	Yes; URM55 reflection shield, matte	No	No	Yes; URM55 reflection shield, matte
Manufacturer name	Bedifol GmbH	SIEMENS AG	SIEMENS AG	Bedifol GmbH
Manufacturer's address	Byk-Gulden-Straße 2 // F22, 78467 Constance, Germany	Gleiwitzerstraße 555, 90475 Nuremberg, Germany	Gleiwitzerstraße 555, 90475 Nuremberg, Germany	Byk-Gulden-Straße 2 // F22, 78467 Constance, Germany
contacting the manufacturer	phone: +49 (7531) 12738-60, email: shop@schutzfolien24.de			phone: +49 (7531) 12738-60, email: shop@schutzfolien24.de
Target devices	Panels and IPC with start of delivery from 2020 (WFP2.3)	for TP1200 Comfort, IPC277D	for KTP1200 Basic	Panels and IPC with start of delivery from 2020 (WFP2.3)
Note:	Surface-adhesive film, can be trimmed, printable, observe target device manual before attaching, limited suitability for resistive touch systems			Surface-adhesive film, can be trimmed, printable, observe target device manual before attaching, limited suitability for resistive touch systems

Accessories

Protective films

Technical specifications

Article number	6AV2124-6QJ00-0AX1 Protect. Film 15" Widescreen	6AV6574-1AD00-4EX0 Protect. Film 15" Touch Device	6AV6881-0QJ22-0AA0 Protect. film 15" front, type 5	6AV6881-0QJ22-1AA0 Protect. film 15 BAC front, type 5
General information				
Product type designation	Protective film 15" widescreen	Protective film 15", 4:3	Protective film 15" front, surface, type 5	Protective film 15" front, surface, type 5
Installation type/mounting				
Mounting in portrait format possible	Yes	Yes	Yes	Yes
Mounting in landscape format possible	Yes	Yes	Yes	Yes
Standards, approvals, certificates				
CE mark		Yes	No; No CE marking obligation	No; No CE marking obligation
EAC (formerly Gost-R)			Yes	Yes
RoHS conformity			Yes; unnecessary	Yes; unnecessary
Ambient conditions				
Suited for indoor use	Yes		Yes; Processing temperature 5 °C to 32 °C, empirical value	Yes; Processing temperature 5 °C to 32 °C, empirical value
Suited for outdoor use	No		No; possible under certain conditions	No; possible under certain conditions
Ambient temperature during operation				
• min.	-40 °C	-40 °C	-20 °C	-20 °C
• max.	80 °C	50 °C	80 °C	80 °C
Relative humidity				
• Operation, max.	90 %	90 %	50 %	50 %
Accessories				
Function description				antibacterial
Mechanics/material				
Material			Polyester with functional hard layer, dirt-repellant, URM55, silicone adhesive layer	
• Plastic	Yes; Nonreflecting	Yes; Nonreflecting	Yes; Non-reflecting, matte, can be removed without residue, hard-coated, dirt-repellant	
• PET			Yes; Non-antistatic, non-reflecting, scratch-resistant, can be removed without residue	
Enclosure material (front)			Scratch resistance 2H (acc. to JIS K 5600), adhesive force 0.011 N/25 mm (acc. to JIS Z 0237)	
• Plastic			Yes; Haze 11.9% acc. to JIS K 7136 and transmission 90.5% acc. to JIS K 7361-1	
• PET			Yes; Basic foil, storage life > 1 year	Yes; Basic foil, storage life > 1 year
Dimensions				
Width	368 mm	362 mm	390 mm	390 mm
Height	259 mm	289 mm	249 mm	249 mm
Thickness	0.125 mm	0.125 mm	0.225 mm; Corners radius 5.5 mm	0.225 mm; Corners radius 3.1 mm
Weights				
Weight (without packaging)	26 g; Per unit		150 g; Per unit	150 g; Per unit

Technical specifications

Article number	6AV2124-6QJ00-0AX1 Protect. Film 15" Widescreen	6AV6574-1AD00-4EX0 Protect. Film 15" Touch Device	6AV6881-0QJ22-0AA0 Protect. film 15" front, type 5	6AV6881-0QJ22-1AA0 Protect. film 15 BAC front, type 5
Scope of supply				
Delivery quantity in pieces	10; Units per set	10	5; films per package	5; films per package
Components included			5x removers, 5x cleaning cloths, 1x spatula for applying	5x removers, 5x cleaning cloths, 1x spatula for applying
Other				
printable with laser printer	Yes	Yes	No; Suitable for screen printing	No; Suitable for screen printing
Merchandise	No	No	Yes; URM55 reflection shield, matte	Yes; URM55 reflection shield, matte
Manufacturer name	SIEMENS AG	SIEMENS AG	Bedifol GmbH	Bedifol GmbH
Manufacturer's address	Gleiwitzerstraße 555, 90475 Nuremberg, Germany	Gleiwitzerstraße 555, 90475 Nuremberg, Germany	Byk-Gulden-Straße 2 // F22, 78467 Constance, Germany	Byk-Gulden-Straße 2 // F22, 78467 Constance, Germany
contacting the manufacturer			Phone +49 (7531) 12738 10, email: info@bedifol.com	phone: +49 (7531) 12738-60, email: shop@schutzfolien24.de
Target devices	for Comfort Panel, IPC, Flat Panel, Thin Client		Panels and IPC with start of delivery from 2020 (WFP2.3)	Panels and IPC with start of delivery from 2020 (WFP2.3)
Note:	not suitable for multi-touch (glass front)	Not suitable for widescreen	Surface-adhesive film, can be trimmed, printable, observe target device manual before attaching, limited suitability for resistive touch systems	Surface-adhesive film, can be trimmed, printable, observe target device manual before attaching, limited suitability for resistive touch systems

Accessories

Protective films

Technical specifications

Article number	6AV7672-1CE00-0AA0	6AV2124-6UJ00-0AX1	6AV6881-0UJ20-0AA0	6AV6881-0UJ22-0AA0	6AV6881-0UJ22-1AA0
	Protect. Film 19" Touch Device	Protect. Film 19" Widescreen	Protect. film 19" glass front, type 1	Protect. film 19" front, type 5	Protect. film 19 BAC front, type 5
General information					
Product type designation	Protective film 19", 4:3	Protective film 19" widescreen	Protective film, 19" glass front	Protective film 19" front, surface, type 5	Protective film 19" front, surface, type 5
Installation type/mounting					
Mounting in portrait format possible	Yes	Yes	Yes	Yes	Yes
Mounting in landscape format possible	Yes	Yes	Yes	Yes	Yes
Standards, approvals, certificates					
CE mark	Yes		No; No CE marking obligation	No; No CE marking obligation	No; No CE marking obligation
REACH			Yes; Tested		
EAC (formerly Gost-R)				Yes	Yes
RoHS conformity			Yes; unnecessary	Yes; unnecessary	Yes; unnecessary
Ambient conditions					
Suited for indoor use		Yes	Yes	Yes; Processing temperature 5 °C to 32 °C, empirical value	
Suited for outdoor use		No	No; possible under certain conditions	No; possible under certain conditions	No; possible under certain conditions
Ambient temperature during operation					
• min.	-40 °C	-40 °C	0 °C	-20 °C	-20 °C
• max.	80 °C	80 °C	55 °C	80 °C	80 °C
Relative humidity					
• Operation, max.	90 %	90 %	50 %	50 %	50 %
Accessories					
Function description					antibacterial
Mechanics/material					
Material			Polyester with functional hard layer, dirt-repellant, URM55, silicone adhesive layer	Polyester with functional hard layer, dirt-repellant, URM55, silicone adhesive layer	Polyester with functional hard layer, dirt-repellant, URM55, silicone adhesive layer
• Plastic	Yes; Nonreflecting	Yes; Nonreflecting	Yes; Non-reflecting, matte, can be removed without residue, hard-coated, dirt-repellant	Yes; Non-reflecting, matte, can be removed without residue, hard-coated, dirt-repellant	Yes; Non-reflecting, matte, can be removed without residue, hard-coated, dirt-repellant
• PET			Yes; Non-antistatic, non-reflecting, scratch-resistant, can be removed without residue	Yes; Non-antistatic, non-reflecting, scratch-resistant, can be removed without residue	Yes; Non-antistatic, non-reflecting, scratch-resistant, can be removed without residue
Enclosure material (front)			Scratching hardness 2H, adhesive force 0.011 N/25 mm	Scratch resistance 2H (acc. to JIS K 5600), adhesive force 0.011 N/25 mm (acc. to JIS Z 0237)	Scratch resistance 2H (acc. to JIS K 5600), adhesive force 0.011 N/25 mm (acc. to JIS Z 0237)
• Plastic				Yes; Haze 11.9% acc. to JIS K 7136 and transmission 90.5% acc. to JIS K 7361-1	Yes; Haze 11.9% acc. to JIS K 7136 and transmission 90.5% acc. to JIS K 7361-1
• PET				Yes; Basic foil, storage life > 1 year	Yes; Basic foil, storage life > 1 year
Dimensions					
Width	378 mm	451 mm	409 mm	456 mm	456 mm
Height	302.5 mm	285 mm	231 mm	286 mm	286 mm
Thickness	0.2 mm	0.125 mm	0.225 mm; Corners radius 0.5 mm	0.225 mm; Corners radius 5.5 mm	0.225 mm; Corners radius 3.1 mm
Weights					
Weight (without packaging)		34 g; Per unit	34 g; Per unit	190 g; Per unit	190 g; Per unit

Technical specifications

Article number	6AV7672-1CE00-0AA0	6AV2124-6UJ00-0AX1	6AV6881-0UJ20-0AA0	6AV6881-0UJ22-0AA0	6AV6881-0UJ22-1AA0
	Protect. Film 19" Touch Device	Protect. Film 19" Widescreen	Protect. film 19" glass front, type 1	Protect. film 19" front, type 5	Protect. film 19 BAC front, type 5
Scope of supply					
Delivery quantity in pieces	10	10; Units per set	5; Units per set	5; films per package	5; films per package
Components included			5x removers, 5x cleaning cloths, 5x spatulas for applying	5x removers, 5x cleaning cloths, 1x spatula for applying	5x removers, 5x cleaning cloths, 1x spatula for applying
Other					
printable with laser printer	Yes	Yes	No; suitable for screen printing or UV printing	No; Suitable for screen printing	No; Suitable for screen printing
Merchandise	No	No	Yes; URM55 reflection shield, matte	Yes; URM55 reflection shield, matte	Yes; URM55 reflection shield, matte
Manufacturer name	SIEMENS AG	SIEMENS AG	Bedifol GmbH	Bedifol GmbH	Bedifol GmbH
Manufacturer's address	Gleiwitzerstraße 555, 90475 Nuremberg, Germany	Gleiwitzerstraße 555, 90475 Nuremberg, Germany	Byk-Gulden-Straße 2 // F22, 78467 Constance, Germany	Byk-Gulden-Straße 2 // F22, 78467 Constance, Germany	Byk-Gulden-Straße 2 // F22, 78467 Constance, Germany
contacting the manufacturer			Phone +49 (7531) 12738 10, email: info@bedifol.com	Phone +49 (7531) 12738 10, email: info@bedifol.com	phone: +49 (7531) 12738-60, email: shop@schutzfolien24.de
Target devices		for Comfort Panel, IPC, Flat Panel, Thin Client	For 19" widescreen flat panels, can also be cut to size for smaller, glass front displays, not suitable for membrane fronts	Panels and IPC with start of delivery from 2020 (WFP2.3)	Panels and IPC with start of delivery from 2020 (WFP2.3)
Note:	Not suitable for widescreen	not suitable for multi-touch (glass front)	Surface-adhesive film, can be trimmed, printable, observe target device manual before attaching, limited suitability for resistive touch systems	Surface-adhesive film, can be trimmed, printable, observe target device manual before attaching, limited suitability for resistive touch systems	Surface-adhesive film, can be trimmed, printable, observe target device manual before attaching, limited suitability for resistive touch systems

Accessories

Protective films

Technical specifications

Article number	6AV2124-6XJ00-0AX1 Protect. Film 22" Widescreen	6AV6881-0VJ22-0AA0 Protect. film 22" front, type 5	6AV6881-0VJ22-1AA0 Protect. film 22 BAC front, type 5	6AV6881-0WJ22-0AA0 Protect. film 24" front, type 5
General information				
Product type designation	Protective film 22" widescreen	Protective film 22" front, surface, type 5	Protective film 22" front, surface, type 5	Protective film 24" front, surface, type 5
Installation type/mounting				
Mounting in portrait format possible	Yes	Yes	Yes	Yes
Mounting in landscape format possible	Yes	Yes	Yes	Yes
Standards, approvals, certificates				
CE mark		No; No CE marking obligation	No; No CE marking obligation	No; No CE marking obligation
EAC (formerly Gost-R)		Yes	Yes	Yes
RoHS conformity		Yes; unnecessary	Yes; unnecessary	Yes; unnecessary
Ambient conditions				
Suited for indoor use	Yes	Yes; Processing temperature 5 °C to 32 °C, empirical value	Yes; Processing temperature 5 °C to 32 °C, empirical value	Yes; Processing temperature 5 °C to 32 °C, empirical value
Suited for outdoor use	No	No; possible under certain conditions	No; possible under certain conditions	No; possible under certain conditions
Ambient temperature during operation				
• min.	-40 °C	-20 °C	-20 °C	-20 °C
• max.	80 °C	80 °C	80 °C	80 °C
Relative humidity				
• Operation, max.	90 %	50 %	50 %	50 %
Accessories				
Function description			antibacterial	
Mechanics/material				
Material		Polyester with functional hard layer, dirt-repellant, URM55, silicone adhesive layer	Polyester with functional hard layer, dirt-repellant, URM55, silicone adhesive layer	Polyester with functional hard layer, dirt-repellant, URM55, silicone adhesive layer
• Plastic	Yes; Nonreflecting	Yes; Non-reflecting, matte, can be removed without residue, hard-coated, dirt-repellant	Yes; Non-reflecting, matte, can be removed without residue, hard-coated, dirt-repellant	Yes; Non-reflecting, matte, can be removed without residue, hard-coated, dirt-repellant
• PET		Yes; Non-antistatic, non-reflecting, scratch-resistant, can be removed without residue	Yes; Non-antistatic, non-reflecting, scratch-resistant, can be removed without residue	Yes; Non-antistatic, non-reflecting, scratch-resistant, can be removed without residue
Enclosure material (front)		Scratch resistance 2H (acc. to JIS K 5600), adhesive force 0.011 N/25 mm (acc. to JIS Z 0237)	Scratch resistance 2H (acc. to JIS K 5600), adhesive force 0.011 N/25 mm (acc. to JIS Z 0237)	Scratch resistance 2H (acc. to JIS K 5600), adhesive force 0.011 N/25 mm (acc. to JIS Z 0237)
• Plastic		Yes; Haze 11.9% acc. to JIS K 7136 and transmission 90.5% acc. to JIS K 7361-1	Yes; Haze 11.9% acc. to JIS K 7136 and transmission 90.5% acc. to JIS K 7361-1	Yes; Haze 11.9% acc. to JIS K 7136 and transmission 90.5% acc. to JIS K 7361-1
• PET		Yes; Basic foil, storage life > 1 year	Yes; Basic foil, storage life > 1 year	Yes; Basic foil, storage life > 1 year
Dimensions				
Width	518 mm	521 mm	521 mm	577 mm
Height	334 mm	323 mm	323 mm	355 mm
Thickness	0.125 mm	0.225 mm; Corners radius 5.5 mm	0.225 mm; Corners radius 3.1 mm	0.225 mm; Corners radius 5.5 mm
Weights				
Weight (without packaging)	44 g; Per unit	220 g; Per unit	220 g; Per unit	240 g; Per unit

Technical specifications

Article number	6AV2124-6XJ00-0AX1 Protect. Film 22" Widescreen	6AV6881-0VJ22-0AA0 Protect. film 22" front, type 5	6AV6881-0VJ22-1AA0 Protect. film 22 BAC front, type 5	6AV6881-0WJ22-0AA0 Protect. film 24" front, type 5
Scope of supply				
Delivery quantity in pieces	10; Units per set	5; films per package	5; films per package	5; films per package
Components included		5x removers, 5x cleaning cloths, 1x spatula for applying	5x removers, 5x cleaning cloths, 1x spatula for applying	5x removers, 5x cleaning cloths, 1x spatula for applying
Other				
printable with laser printer	Yes	No; Suitable for screen printing	No; Suitable for screen printing	No; Suitable for screen printing
Merchandise	No	Yes; URM55 reflection shield, matte	Yes; URM55 reflection shield, matte	Yes; URM55 reflection shield, matte
Manufacturer name	SIEMENS AG	Bedifol GmbH	Bedifol GmbH	Bedifol GmbH
Manufacturer's address	Gleiwitzerstraße 555, 90475 Nuremberg, Germany	Byk-Gulden-Straße 2 // F22, 78467 Constance, Germany	Byk-Gulden-Straße 2 // F22, 78467 Constance, Germany	Byk-Gulden-Straße 2 // F22, 78467 Constance, Germany
contacting the manufacturer		Phone +49 (7531) 12738 10, email: info@bedifol.com	phone: +49 (7531) 12738-60, email: shop@schutzfolien24.de	Phone +49 (7531) 12738 10, email: info@bedifol.com
Target devices	for Comfort Panel, IPC, Flat Panel, Thin Client	Panels and IPC with start of delivery from 2020 (WFP2.3)	Panels and IPC with start of delivery from 2020 (WFP2.3)	Panels and IPC with start of delivery from 2020 (WFP2.3)
Note:	not suitable for multi-touch (glass front)	Surface-adhesive film, can be trimmed, printable, observe target device manual before attaching, limited suitability for resistive touch systems	Surface-adhesive film, can be trimmed, printable, observe target device manual before attaching, limited suitability for resistive touch systems	Surface-adhesive film, can be trimmed, printable, observe target device manual before attaching, limited suitability for resistive touch systems

More information

Note:

Suitable target devices and contents can be found at the end of the technical specifications of each protective film.

Photos and product images may differ from the actual product.

Detailed technical specifications, content information, quantities and compatible core products are listed online in the technical specifications of the respective accessory.

Industry Mall:

<https://mall.industry.siemens.com>

If you use the TIA Selection Tool (selection guide) to find your core product, the appropriate accessories are also displayed automatically. This facilitates selection of suitable accessories.

<http://www.siemens.com/tia-selection-tool>

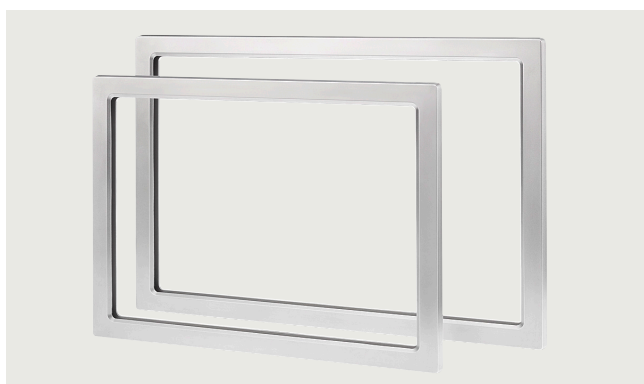
Data sheets and manufacturer declarations are available for downloading in the Online Support area.

<http://support.automation.siemens.com>

Accessories

Protective covers, dust caps, INOX frames

Overview



INOX frame 12" and 15"

INOX frame

When using the INOX frame with protective film, areas are opened up where on the front an increased degree of protection up to IP69 is required. INOX frames can be used when installing Unified Comfort Panels, Industrial Thin Clients, Industrial Flat Panels, and Industrial PCs.

Protective covers and dust caps

Protective covers

With a protective cover the complete panel front can be additionally protected. This gives IP65 degree of protection to the complete panel front.

Protective covers with IP65 degree of protection provide complete front protection of the panel and IPC against dirt and scratches. If the protective cover is now attacked by corrosive substances, the actual front of the device remains unaffected. If it is damaged, the protective cover can easily be replaced at any time.

Self-adhesive protective films are available for simple display protection. The protective covers can be kept clean using high-pressure cleaning equipment. Ready-made templates can be downloaded to help you create and print out your own low-cost frame designs between panel and protective cover.

Unfortunately, no protective covers are available for the Basic and Comfort Panels, or the IPCs.

Dust caps

It is also possible to dustproof unused or rarely used interfaces on the back or underside of the device.

For this purpose we offer dust caps.

Ordering data

Article No.

INOX frame

Can be used, for example, for Unified Comfort Panels, Industrial Thin Clients and Industrial Flat Panels. The Panel front is completely covered and protected. The degree of protection is raised to IP69. The set of protective films (antibacterial or standard) must be ordered separately. Attention: not approved for hazardous and marine environments!

INOX frames:

- 7" Type 1, without mounting frame
- 10" Type 1, without mounting frame
- 12" Type 1, without mounting frame
- 15" Type 1, without mounting frame
- 19" Type 1, without mounting frame
- 22" Type 1, without mounting frame

6AV6881-0GH21-2AA0

6AV6881-0KH21-2AA0

6AV6881-0MH21-2AA0

6AV6881-0QH21-2AA0

6AV6881-0UH21-2AA0

6AV6881-0VH21-2AA0

INOX frame sets

INOX frame and required mounting frame in set. Only the protective film set (antibacterial or standard) must still be ordered separately.

Attention: not approved for hazardous and marine environments!

- 7" Type 1, with mounting frame
- 10" Type 1, with mounting frame
- 12" Type 1, with mounting frame
- 15" Type 1, with mounting frame
- 19" Type 1, with mounting frame
- 22" Type 1, with mounting frame

6AV6881-0GH21-2BA0

6AV6881-0KH21-2BA0

6AV6881-0MH21-2BA0

6AV6881-0QH21-2BA0

6AV6881-0UH21-2BA0

6AV6881-0VH21-2BA0

Protective covers for 6" touch devices

for TP 070, TP 170micro, TP 177micro, TP 170A/B, TP 177A/B, TP 270 6", TP 277 6", MP 177 6" touch, MP 270 6" touch

6AV6574-1AE00-4AX0

Protective covers for OP 77

for OP77 and OP77B

6AV6671-1AJ00-0AX0

Protective covers for OP 177

for OP177B

6AV6671-2DJ00-0AX0

Protective covers for MP 277 8" touch devices

Only suitable for MP 277 8" touch up to E14 ¹⁾ (for devices with a narrow frame geometry)

6AV6671-3CK01-0AX0

Protective covers for MP 277 10" touch devices

Only suitable for MP 277 10" touch up to E14 ¹⁾ and 10" Thin Client up to E03 ²⁾ (for devices with a narrow frame geometry)

6AV6671-3CK00-0AX0

Dust protection set for USB and RJ45 interfaces

SIMATIC PC, dust protection set accessory, interfaces for Panels, Thin Clients and IPCs with suitable USB or RJ45 (LAN) interface

6ES7648-1AA50-0XG0

¹⁾ E14 = Product version 14

²⁾ E03 = Product version 03

Protective covers, dust caps, INOX frames

Technical specifications

Article number	6AV6881-0MH21-2AA0	6AV6881-0GH21-2AA0	6AV6881-0QH21-2AA0	6AV6881-0UH21-2AA0	6AV6881-0KH21-2AA0	6AV6881-0VH21-2AA0
	INOX frame 12", type 1, Unified	INOX frame 7", type 1, Unified	INOX frame 15", type 1, Unified	INOX frame 19", type 1, Unified	INOX frame 10", type 1, Unified	INOX frame 22", type 1, Unified
General information						
Product type designation	protective frame INOX	protective frame INOX	protective frame INOX	protective frame INOX	protective frame INOX	protective frame INOX
Display						
Suitable for screen diagonal	12.1 in	7 in	15.6 in	18.5 in	10.1 in	21.5 in
Installation type/mounting						
Mounting		for mounting in a built-in widescreen Panel				
Mounting type	screw fixing	screw fixing	screw fixing	screw fixing	screw fixing	screw fixing
Front mounting	Yes	Yes	Yes	Yes	Yes	Yes
Mounting in portrait format possible	Yes	Yes	Yes	Yes	Yes	Yes
Mounting in landscape format possible	Yes	Yes	Yes	Yes	Yes	Yes
Degree and class of protection						
IP (at the front)	IP69	IP69	IP69	IP69	IP69	IP69
Splashproof	Yes	Yes	Yes	Yes	Yes	Yes
Standards, approvals, certificates						
responsibility with the manufacturer	Yes	Yes	Yes	Yes	Yes	Yes
CE mark	No; No CE marking obligation	No; No CE marking obligation	No; No CE marking obligation	No; No CE marking obligation	No; No CE marking obligation	No; No CE marking obligation
UL approval	No	No	No	No	No	No
REACH	Yes	Yes	Yes	Yes	Yes	Yes
RoHS conformity	Yes	Yes	Yes	Yes	Yes	Yes
FDA-compliant		gaskets are FDA-compliant				
Ambient conditions						
Suited for indoor use	Yes	Yes	Yes	Yes	Yes	Yes
Suited for outdoor use	Yes; Always comply with the operating instructions of the target device.	Yes; Always comply with the operating instructions of the target device.	Yes; Always comply with the operating instructions of the target device.	Yes; Always comply with the operating instructions of the target device.	Yes; Always comply with the operating instructions of the target device.	Yes; Always comply with the operating instructions of the target device.
Ambient temperature during operation						
• min.	-40 °C	-40 °C	-40 °C	-40 °C	-40 °C	-40 °C
• max.	80 °C	80 °C	80 °C	80 °C	80 °C	80 °C
Relative humidity						
• Operation, max.	95 %	95 %	95 %	95 %	95 %	95 %
Mechanics/material						
Material	Matte	Matte	Matte	Matte	Matte	Matte
• Stainless steel	Yes; V2A 1.4300	Yes; V2A 1.4300	Yes; V2A 1.4300	Yes; V2A 1.4300	Yes; V2A 1.4300	Yes; V2A 1.4300
Enclosure material (rear)	Stainless steel V2A	Stainless steel V2A	Stainless steel V2A	Stainless steel V2A	Stainless steel V2A	Stainless steel V2A
Enclosure color (front)		matte, ceramic-blasted				
Screw type						
• Torx	Yes	Yes; T20	Yes	Yes	Yes	Yes
Torques/forces						
• Tightening torque, min.	12 N·m; If there is not enough torque, the degree of protection on the front may not be guaranteed	12 N·m; If there is not enough torque, the degree of protection on the front may not be guaranteed	12 N·m; If there is not enough torque, the degree of protection on the front may not be guaranteed	12 N·m; If there is not enough torque, the degree of protection on the front may not be guaranteed	12 N·m; If there is not enough torque, the degree of protection on the front may not be guaranteed	12 N·m; If there is not enough torque, the degree of protection on the front may not be guaranteed
• Tightening torque, max.	14 N·m	14 N·m	14 N·m	14 N·m	14 N·m	14 N·m

Accessories

Protective covers, dust caps, INOX frames

Technical specifications

Article number	6AV6881-0MH21-2AA0	6AV6881-0GH21-2AA0	6AV6881-0QH21-2AA0	6AV6881-0UH21-2AA0	6AV6881-0KH21-2AA0	6AV6881-0VH21-2AA0
	INOX frame 12", type 1, Unified	INOX frame 7", type 1, Unified	INOX frame 15", type 1, Unified	INOX frame 19", type 1, Unified	INOX frame 10", type 1, Unified	INOX frame 22", type 1, Unified
Dimensions						
Width	353.2 mm	241.2 mm	425.2 mm	491.2 mm	307.2 mm	556.2 mm
Height	264.2 mm	185.2 mm	284.2 mm	321.2 mm	232.2 mm	358.2 mm
Depth	16 mm	16 mm	16 mm	16 mm	16 mm	16 mm
Scope of supply						
Delivery quantity in pieces	1; 1x protective frame INOX	1; 1x protective frame INOX	1; 1x protective frame INOX	1; 1x protective frame INOX	1; 1x protective frame INOX	1; 1x protective frame INOX
• Parts per unit	1; 1x protective frame INOX incl. screws and seals (mounting frame and protective films can be ordered separately)	1; 1x protective frame INOX incl. screws and seals (mounting frame and protective films can be ordered separately)	1; 1x protective frame INOX incl. screws and seals (mounting frame and protective films can be ordered separately)	1; 1x protective frame INOX incl. screws and seals (mounting frame and protective films can be ordered separately)	1; 1x protective frame INOX incl. screws and seals (mounting frame and protective films can be ordered separately)	1; 1x protective frame INOX incl. screws and seals (mounting frame and protective films can be ordered separately)
Other						
Merchandise	Yes; INOX frame	Yes; INOX frame	Yes; INOX frame	Yes; INOX frame	Yes; INOX frame	Yes; INOX frame
Manufacturer name	QUERUM products UG					
Manufacturer's address	Wirtsstr. 23, 85110 Kipfenberg-Böhming, Germany					
contacting the manufacturer	email: querumproducts@web.de					
Target devices	Unified Comfort Panels, Industrial Thin Clients, Industrial Flat Panels and Industrial Pcs with suitable dimensions	Unified Comfort Panels, Industrial Thin Clients, Industrial Flat Panels and Industrial Pcs with suitable dimensions	Unified Comfort Panels, Industrial Thin Clients, Industrial Flat Panels and Industrial Pcs with suitable dimensions	Unified Comfort Panels, Industrial Thin Clients, Industrial Flat Panels and Industrial Pcs with suitable dimensions	Unified Comfort Panels, Industrial Thin Clients, Industrial Flat Panels and Industrial Pcs with suitable dimensions	Unified Comfort Panels, Industrial Thin Clients, Industrial Flat Panels and Industrial Pcs with suitable dimensions
Note:	Not released for hazardous areas and marine applications!					

Protective covers, dust caps, INOX frames

Technical specifications

Article number	6AV6881-0VH21-2BA0	6AV6881-0KH21-2BA0	6AV6881-0QH21-2BA0	6AV6881-0GH21-2BA0	6AV6881-0MH21-2BA0	6AV6881-0UH21-2BA0
	INOX frame 22", type 1, SET	INOX frame 10", type 1, SET	INOX frame 15", type 1, SET	INOX frame 7", type 1, SET	INOX frame 12", type 1, SET	INOX frame 19", type 1, SET
General information						
Product type designation	protective frame INOX SET	protective frame INOX SET	protective frame INOX SET	protective frame INOX SET	protective frame INOX SET	protective frame INOX SET
Display						
Suitable for screen diagonal	21.5 in	10.1 in	15.6 in	7 in	12.1 in	18.5 in
Installation type/mounting						
Mounting	for mounting in a built-in widescreen Panel	for mounting in a built-in widescreen Panel	for mounting in a built-in widescreen Panel	for mounting in a built-in widescreen Panel	for mounting in a built-in widescreen Panel	for mounting in a built-in widescreen Panel
Mounting type	screw fixing	screw fixing	screw fixing	screw fixing	screw fixing	screw fixing
Front mounting	Yes	Yes	Yes	Yes	Yes	Yes
Mounting in portrait format possible	Yes	Yes	Yes	Yes	Yes	Yes
Mounting in landscape format possible	Yes	Yes	Yes	Yes	Yes	Yes
Degree and class of protection						
IP (at the front)	IP69	IP69	IP69	IP69	IP69	IP69
Splashproof	Yes	Yes	Yes	Yes	Yes	Yes
Standards, approvals, certificates						
responsibility with the manufacturer	Yes	Yes	Yes	Yes	Yes	Yes
CE mark	No; No CE marking obligation	No; No CE marking obligation	No; No CE marking obligation	No; No CE marking obligation	No; No CE marking obligation	No; No CE marking obligation
UL approval	No	No	No	No	No	No
REACH	Yes	Yes	Yes	Yes	Yes	Yes
RoHS conformity	Yes	Yes	Yes	Yes	Yes	Yes
FDA-compliant	Yes; gaskets are FDA-compliant	gaskets are FDA-compliant	gaskets are FDA-compliant	gaskets are FDA-compliant	gaskets are FDA-compliant	Yes; gaskets are FDA-compliant
Ambient conditions						
Suited for indoor use	Yes	Yes	Yes	Yes	Yes	Yes
Suited for outdoor use	Yes; Always comply with the operating instructions of the target device.	Yes; Always comply with the operating instructions of the target device.	Yes; Always comply with the operating instructions of the target device.	Yes; Always comply with the operating instructions of the target device.	Yes; Always comply with the operating instructions of the target device.	Yes; Always comply with the operating instructions of the target device.
Ambient temperature during operation						
• min.	-40 °C	-40 °C	-40 °C	-40 °C	-40 °C	-40 °C
• max.	80 °C	80 °C	80 °C	80 °C	80 °C	80 °C
Relative humidity						
• Operation, max.	95 %	95 %	95 %	95 %	95 %	95 %
Accessories						
Function description	contains further article numbers	contains further article numbers	contains further article numbers	contains further article numbers	contains further article numbers	contains further article numbers
Mechanics/material						
Material	Matte	Matte	Matte	Matte	Matte	Matte
• Sheet steel	Yes; powder-coated mounting frame	Yes; powder-coated mounting frame	Yes; powder-coated mounting frame	Yes; powder-coated mounting frame	Yes; powder-coated mounting frame	Yes; powder-coated mounting frame
• Stainless steel	Yes; V2A 1.4300	Yes; V2A 1.4300	Yes; V2A 1.4300	Yes; V2A 1.4300	Yes; V2A 1.4300	Yes; V2A 1.4300
Enclosure material (rear)	Stainless steel V2A	Stainless steel V2A	Stainless steel V2A	Stainless steel V2A	Stainless steel V2A	Stainless steel V2A
Enclosure color (front)	matte, ceramic-blasted	matte, ceramic-blasted	matte, ceramic-blasted	matte, ceramic-blasted	matte, ceramic-blasted	matte, ceramic-blasted
Screw type						
• Torx	Yes; T20	Yes; T20	Yes; T20	Yes; T20	Yes; T20	Yes; T20
Torques/forces						
• Tightening torque, min.	12 N·m; If there is not enough torque, the degree of protection on the front may not be guaranteed	12 N·m; If there is not enough torque, the degree of protection on the front may not be guaranteed	12 N·m; If there is not enough torque, the degree of protection on the front may not be guaranteed	12 N·m; If there is not enough torque, the degree of protection on the front may not be guaranteed	12 N·m; If there is not enough torque, the degree of protection on the front may not be guaranteed	12 N·m; If there is not enough torque, the degree of protection on the front may not be guaranteed
• Tightening torque, max.	14 N·m	14 N·m	14 N·m	14 N·m	14 N·m	14 N·m

Accessories

Protective covers, dust caps, INOX frames

Technical specifications

Article number	6AV6881-0VH21-2BA0	6AV6881-0KH21-2BA0	6AV6881-0QH21-2BA0	6AV6881-0GH21-2BA0	6AV6881-0MH21-2BA0	6AV6881-0UH21-2BA0
	INOX frame 22", type 1, SET	INOX frame 10", type 1, SET	INOX frame 15", type 1, SET	INOX frame 7", type 1, SET	INOX frame 12", type 1, SET	INOX frame 19", type 1, SET
Dimensions						
Width	556.2 mm	307.5 mm	425.2 mm	241.2 mm	353.2 mm	491.2 mm
Height	358.2 mm	232.2 mm	284.2 mm	185.2 mm	264.2 mm	321.2 mm
Depth	16 mm	16 mm	16 mm	16 mm	16 mm	16 mm
Scope of supply						
Delivery quantity in pieces	1; 1 set contains a stainless steel front frame and a mounting frame for IP69 mounting. The required protective film, standard or antibacterial, must be ordered separately and is not included in the scope of delivery.					protective film,
• Parts per unit	1x protective frame INOX including screws, 1x mounting frame	1x protective frame INOX including screws, 1x mounting frame	1x protective frame INOX including screws, 1x mounting frame	1x protective frame INOX including screws, 1x mounting frame	1x protective frame INOX including screws, 1x mounting frame	1x protective frame INOX including screws, 1x mounting frame
Components included	complete MLFB (set) contains other article numbers	complete MLFB (set) contains other article numbers	complete MLFB (set) contains other article numbers	complete MLFB (set) contains other article numbers	complete MLFB (set) contains other article numbers	complete MLFB (set) contains other article numbers
Other						
Merchandise	Yes; INOX front frame panel	Yes; INOX front frame panel	Yes; INOX front frame panel	Yes; INOX front frame panel	Yes; INOX front frame panel	Yes; INOX front frame panel
Manufacturer name	QUERUM products UG					
Manufacturer's address	Wirtsstr. 23, 85110 Kipfenberg-Böhming, Germany					
contacting the manufacturer	email: querumproducts@web.de					
Target devices	Unified Panels and IPC with suitable dimensions	Unified Panels and IPC with suitable dimensions	Unified Panels and IPC with suitable dimensions	Unified Panels and IPC with suitable dimensions	Unified Panels and IPC with suitable dimensions	Unified Panels and IPC with suitable dimensions
Note:	not released for hazardous areas and marine applications! increase of the degree of protection only when using the clamping frame	not released for hazardous areas and marine applications! increase of the degree of protection only when using the clamping frame	not released for hazardous areas and marine applications! increase of the degree of protection only when using the clamping frame	not released for hazardous areas and marine applications! increase of the degree of protection only when using the clamping frame	not released for hazardous areas and marine applications! increase of the degree of protection only when using the clamping frame	not released for hazardous areas and marine applications! increase of the degree of protection only when using the clamping frame

Protective covers, dust caps, INOX frames

Technical specifications

Article number	6AV6574-1AE00-4AX0	6AV6671-1AJ00-0AX0	6AV6671-2DJ00-0AX0	6AV6671-3CK01-0AX0	6AV6671-3CK00-0AX0	6ES7648-1AA50-0XG0
	Protective Cover 6" Touch Devices	Protective Cover OP 77	Protective Cover OP 177	Protective Cover MP 277-8" Touch	Protective Cover MP 277 10" Touch	Dust protection set interfaces
General information						
Product type designation	Protective cover 6" touch devices	Protective cover	Protective cover	Protective cover MP277 8" touch	Protective cover MP277 10" touch	Dust protection set interfaces
Installation type/mounting						
Mounting in portrait format possible	Yes	Yes	Yes	Yes	Yes	
Mounting in landscape format possible	Yes	Yes	Yes	Yes	Yes	
Degree and class of protection						
IP (at the front)	IP65	IP65	IP65	IP65	IP65	
Standards, approvals, certificates						
CE mark	Yes	Yes	Yes	Yes	Yes	
Ambient conditions						
Ambient temperature during operation						
• min.	-40 °C	-40 °C	-40 °C	-40 °C	-40 °C	
• max.	80 °C	80 °C	80 °C	80 °C	80 °C	
Relative humidity						
• Operation, max.	95 %	95 %	95 %	95 %	95 %	
Mechanics/material						
Material						
• Plastic	Yes	Yes	Yes	Yes	Yes	
Dimensions						
Width	242.3 mm	178.6 mm	274.3 mm	270.8 mm	355.8 mm	
Height	186.3 mm	214.6 mm	243.26 mm	211 mm	294 mm	
Thickness	10 mm	7.8 mm	7.8 mm	7.8 mm	7.8 mm	
Mounting cutout, width	198 mm	135 mm	229 mm	226 mm	310 mm	
Mounting cutout, height	142 mm	171 mm	196 mm	166 mm	248 mm	
Weights						
Weight (without packaging)	750 g	750 g	750 g	750 g	750 g	
Scope of supply						
Delivery quantity in pieces						
• Parts per unit	2; 2 cover frames, 2 base frames, 2 protective covers, molded (for TP070, TP170micro, TP170A/B), 2 protective covers, smooth (for TP177micro, TP177A/B, TP270 6", MP177 6" touch, MP270 6" touch)	2; 2 cover frames, 2 base frames, 2 protective covers	2; 2 cover frames, 2 base frames, 2 protective covers	2; 2 cover frames, 2 base frames, 2 protective covers	2; 2 cover frames, 2 base frames, 2 protective covers	
Other						
Merchandise	No	No	No	No	No	No
Manufacturer name	SIEMENS AG	SIEMENS AG	SIEMENS AG	SIEMENS AG	SIEMENS AG	SIEMENS AG
Manufacturer's address	Gleiwitzerstraße 555, 90475 Nuremberg, Germany					
Target devices	For TP070, TP170A, TP170B, TP170micro, TP177micro, TP177A, TP177B, TP270 6", TP277 6", MP270 6" touch	for OP 77A, OP 77B	For OP177B	For MP277 8" touch as far as product version "ES 14" with narrow frame	For MP277 10" touch up to product version "ES 14", Thin Client 10" up to "ES 03" (6AV6646-0AA21-2AX0) with narrow frame	

Accessories

Protective covers, dust caps, INOX frames

More information

Note:

Photos and product images may differ from the actual product.

Detailed technical specifications, content information, quantities and compatible core products are listed online in the technical specifications of the respective accessory.

Industry Mall:

<https://mall.industry.siemens.com>

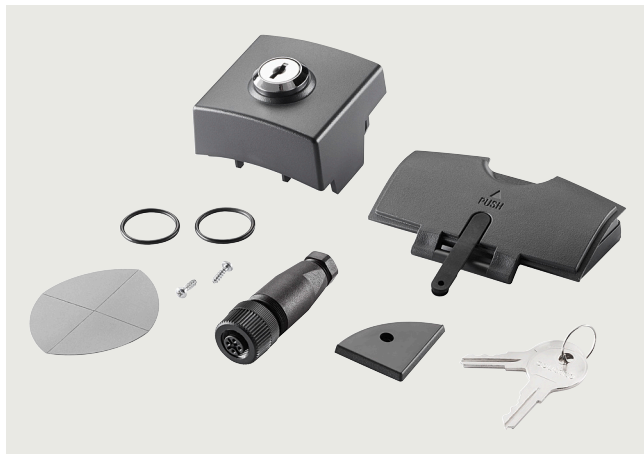
If you use the TIA Selection Tool (selection guide) to find your core product, the appropriate accessories are also displayed automatically. This facilitates selection of suitable accessories.

<http://www.siemens.com/tia-selection-tool>

Data sheets and manufacturer declarations are available for downloading in the Online Support area.

<http://support.automation.siemens.com>

Overview

**Service sets**

A service set contains all the typical parts that are required for a core product.

If several identical parts are required, e.g. mounting clips, it makes more sense to order these separately.

Detailed information and quantities can be obtained from the relevant technical specifications. The number and contents are optimized in terms of functionality and cost. For this reason, accessories can only be obtained in the specified pack sizes.

Ordering data

Article No.

Service sets

For contents and matching devices, see technical specifications in the Mall

For 4" and 6" devices

Service set for KTP400 Basic, KTP600 Basic, TP 177B 4"

6AV6671-2EA00-0AX0

For 6" devices, type 1

Service set for TP 070, TP 170A/B, OP 170B, TP 170micro, OP 270, TP 270B, MP 270B touch

6AV6574-1AA00-4AX0

For 6" devices, type 2

Service set for TP 070, TP 170A/B, OP 170B, TP 170micro, TP/OP 270 6", MP 270B 6" touch

6AV2181-8XA80-0AX0

For 6" devices, type 3

Service set for TP 177micro, TP 177A/B, OP 177B

6AV6671-2XA00-0AX0

For 6" to 10" devices

Service set for TP/OP 277 6", MP 277 8" touch, MP 277 8" key, MP 277 10" key and MP 277 10" touch devices up to product version "ES 14"

6AV6671-3XA01-0AX0

For 8" to 10" devices

Service set for MP 277 8" touch and key devices from product version "ES 15", MP 277 10" touch devices from product version "ES 15"

6AV6671-3XA01-0AX1

For 10", type 1

Service set for OP 270 10", MP 270B key devices

6AV6574-1AA00-2DX0

For 10" to 15" devices

Service set for C7-636 touch, TP 270 10", MP 270B 10" touch, MP 370 12"/15" touch devices

6AV6574-1AA00-2CX0

Accessories

Service sets

Ordering data	Article No.		Article No.
For 12" devices Service set suitable for MP 370 12"/15" touch/key devices and TP37	6AV6574-1AA00-2BX0	For Pushbutton Panels Service set for PP7, PP17I, PP17 II, PP17 mounting gasket, 5x mounting clamps, 2-pin 24 V DC plug, 3-pin 24 V DC plug, 4-pin plug, 16-pin plug	6AV3678-3XC30
For 12" to 19" devices Service set for MP 377 12" touch and key devices, MP 377 15" touch, MP 377 19" touch devices	6AV6671-4XA00-0AX0	For TD17, OP7/17 Service set for OP7/OP17 and TD17; TD17 mounting gasket, OP7 mounting gasket, OP17 mounting gasket 5x mounting clamps	6AV3678-1CC10
For 15" devices Service set for MP 377 15" touch devices with stainless steel front	6AV6671-4CA00-0AX0	For OP73 micro, OP73, OP77 Service set for OP73micro, OP 73, OP 77A, OP 77B	6AV6671-1XA00-0AX0
For Mobile Panel 177/277	6AV6574-1AA04-4AA0	KTP Mobile covers complete set Cable clamp, USB cover incl. M3x10 screws.	6AV6881-5AA00-0AA2
For Mobile Panel 277(F) IWLAN V1	6AV6671-5CA00-0AX1	KTP Mobile covers Cable clamp, USB cover	6AV6881-5AA00-0AA1
For Mobile Panel 277(F) IWLAN V2	6AV6671-5CA00-0AX2	KTP Mobile screw set M3x10 M3x10 screws	6AV6881-0AG11-0AA0
For Industrial USB Hub 4	6AV6671-3EA01-0AX0		

Technical specifications

Article number	6AV6671-2EA00-0AX0	6AV6574-1AA00-4AX0	6AV2181-8XA80-0AX0	6AV6671-2XA00-0AX0	6AV6671-3XA01-0AX0	6AV6671-3XA01-0AX1
	Service set for 4" and 6" devices	Service set for 6" devices, type 1	Service set for 6" devices, type 2	Service set for 6" devices, type 3	Service set for 6" to 10" devices	Service set for 8" to 10" devices
General information						
Product type designation	Service set			Service set	Service set 6" ... 10"	Service set 8" ... 10"
Standards, approvals, certificates						
CE mark	Yes	Yes	Yes	Yes	Yes	Yes
RoHS conformity	Yes		Yes			Yes
Ambient conditions						
Ambient temperature during operation						
• min.	0 °C	0 °C	0 °C	0 °C	0 °C	0 °C
• max.	55 °C	55 °C	55 °C	55 °C	55 °C	55 °C
Relative humidity						
• Operation, max.	95 %	95 %	95 %	95 %	95 %	95 %
Scope of supply						
Delivery quantity in pieces						
• Parts per unit	1; Content: 2x seal KTP 400-TP 177B 4", 2x seal for KTP 600, 7x aluminum mounting clip, 1x 2-pin female connector	1; Content: 3x mounting seal, 2x labeling strip, 7x plastic mounting clip, 1x 2-pin female connector	1; Content: 3x mounting seal, 2x labeling strip, 7x plastic mounting clip, 20x aluminum mounting clip, 1x 2-pin female connector	1; Content: 1x mounting seal TP 177, 1x mounting seal OP 177, 7x plastic mounting clip, 1x 2-pin female connector	1; Content: 6x device-specific seals, 15x aluminum mounting clips, 1x 2-pin female connector, 1x product information clamp	1; Content: 14x spring mounting clip, 1x 2-pin female connector
Other						
Merchandise	No	No	No	No	No	No
Manufacturer name	SIEMENS AG	SIEMENS AG	SIEMENS AG	SIEMENS AG	SIEMENS AG	SIEMENS AG
Manufacturer's address	Gleiwitzerstraße 555, 90475 Nuremberg, Germany	Gleiwitzerstraße 555, 90475 Nuremberg, Germany	Gleiwitzerstraße 555, 90475 Nuremberg, Germany	Gleiwitzerstraße 555, 90475 Nuremberg, Germany	Gleiwitzerstraße 555, 90475 Nuremberg, Germany	Gleiwitzerstraße 555, 90475 Nuremberg, Germany
Target devices	for KTP 400 Basic, KTP 600 Basic, TP 177B 4"	For TP070, TP170A/B, OP170B, TP170micro, OP270 6", TP270 6", MP270B 6" touch	For TP070, TP170A/B, OP170B, TP170micro, OP/TP270 6", MP177 6", MP270B 6" touch	for TP 177micro, TP 177A, TP 177B, OP 177B	For TP/OP277 6", MP277 8" touch, MP277 8" key, MP277 10" key product version "ES 14" and later, MP277 10" touch product version "ES 14" and later	For MP277 8" touch, MP277 8" key product version "ES 15" and later, MP277 10" touch product version "ES 15" and later

Accessories

Service sets

Technical specifications

Article number	6AV6574-1AA00-2DX0	6AV6574-1AA00-2CX0	6AV6574-1AA00-2BX0
	Service set for 10" devices, type 1	Service set for 10" to 15" devices	Service set for 12" devices
General information			
Product type designation			Service set, 12" ... 15"
Standards, approvals, certificates			
CE mark	Yes	Yes	Yes
Ambient conditions			
Ambient temperature during operation			
• min.			0 °C
• max.			55 °C
Relative humidity			
• Operation, max.	95 %	95 %	95 %
Mechanics/material			
Screw type			
• Hexagon socket			Yes; 2.5 mm
Scope of supply			
Delivery quantity in pieces			
• Parts per unit	1; Content: 1x slide-in label strip for OP270 10" and MP270 10" key, 1x installation seal for OP270 10" and MP270 10" key, 10x cast aluminum mounting clips, 1x 2-pin female connector, 1x Allen key	1; Content: 10x aluminum mounting clips, 1x 2-pin female connector, 1x CF card interlock, 1x PC card interlock, 1x installation seal, C7-636, TP/MP270(B), MP370-12"T, 1x installation seal for MP370-15"T, all other panels have a non-replaceable foam seal	1; Content: 1x mounting gasket sold by the meter, 2x memory card lock wide, 2x memory card lock narrow, 10x mounting clip cast aluminum, 6x mounting bracket, 1x female connector 2-pole 90 degrees, 1x female connector 2-pole 180 degrees, 2x Allen key and labeling strips for Key Panel
Other			
Merchandise	No	No	No
Manufacturer name	SIEMENS AG	SIEMENS AG	SIEMENS AG
Manufacturer's address	Gleiwitzerstraße 555, 90475 Nuremberg, Germany	Gleiwitzerstraße 555, 90475 Nuremberg, Germany	Gleiwitzerstraße 555, 90475 Nuremberg, Germany
Target devices	for OP270 10", MP270B key	For C7-636 touch, TP270 10", MP270B 10" touch, MP370 12" touch, MP370 15" touch	For MP370 12" ... 15" Touch/Key and TP37

Technical specifications

Article number	6AV6671-4XA00-0AX0 Service set for 12" to 19" devices	6AV6671-4CA00-0AX0 Service set for 15" devices
General information		
Product type designation	Service set 12" ... 19"	Service set 15"
Standards, approvals, certificates		
CE mark	Yes	Yes
RoHS conformity	Yes	Yes
Ambient conditions		
Ambient temperature during operation		
• min.	0 °C	0 °C
• max.	55 °C	55 °C
Relative humidity		
• Operation, max.	95 %	95 %
Mechanics/material		
Screw type		
• 4.5 V	Yes	
Scope of supply		
Delivery quantity in pieces		
• Parts per unit	1; Content: 1x mounting seal MP377 12" key, 1x mounting seal MP377 12" touch, 1x mounting seal MP377 15" touch, 1x mounting seal MP377 19" touch, 18x aluminum mounting clip, 1x 2-pin female connector	1; Content: 1x mounting seal, 1x memory card lock, 12x cast aluminum mounting clip, 1x 2-pin female connector, 1x Allen key
Other		
Merchandise	No	No
Manufacturer name	SIEMENS AG	SIEMENS AG
Manufacturer's address	Gleiwitzerstraße 555, 90475 Nuremberg, Germany	Gleiwitzerstraße 555, 90475 Nuremberg, Germany
Target devices	For MP377 12" key, MP377 12" touch, MP377 15" touch, MP377 19" touch	For MP377 15" touch with stainless steel front

Accessories

Service sets

Technical specifications

Article number	6AV6574-1AA04-4AA0 Service set Mobile Panel	6AV6671-5CA00-0AX1 Service set Mobile Panel Wireless V1	6AV6671-5CA00-0AX2 Service set Mobile Panel Wireless V2		
General information					
Product type designation		Service set Mobile Panel 277 (F) IWLAN V1	Service set Mobile Panel 277 (F) IWLAN V2		
Standards, approvals, certificates					
CE mark	Yes	Yes	Yes		
Ambient conditions					
Ambient temperature during operation					
• min.		0 °C	0 °C		
• max.		55 °C	55 °C		
Relative humidity					
• Operation, max.	95 %	95 %	95 %		
Scope of supply					
Delivery quantity in pieces					
• Parts per unit	1; Content: 1x blanking plug, 2x PG cable gland A-box, 1x screw set cover A-box, 2x 12-pin terminal box, 1x 3-pin terminal box, 1x dummy cap A-box, 2x corner seal l/r and O-ring, 4x decorative film corner seal l/r	1; Content: 2x covers for charging station l/r, 1x connector for charging station, 2x corner seals l/r, 2x gasket corner seals, 4x decorative film corner seals l/r, 1x backup battery 3.6 V / 1.5 Ah including cover, 1x spare key for charging cradle	1; Content: 1x battery slot cover device with seal, 2x cover charging station l/r, 1x circular connector charging station, 2x corner seal l/r, 2x O-ring seal, 4x decorative foil, 1x charging tray spare key incl. lock and lock holder, screws		
Other					
Merchandise	No	No	No		
Manufacturer name	SIEMENS AG	SIEMENS AG	SIEMENS AG		
Manufacturer's address	Gleiwitzerstraße 555, 90475 Nuremberg, Germany	Gleiwitzerstraße 555, 90475 Nuremberg, Germany	Gleiwitzerstraße 555, 90475 Nuremberg, Germany		
Target devices	For Mobile Panel 170, Mobile Panel 177	for Mobile Panel 277 IWLAN V1, Mobile Panel 277F IWLAN V1	for Mobile Panel 277 IWLAN V2, Mobile Panel 277F IWLAN V2		
Article number	6AV6671-3EA01-0AX0 Service set Industrial USB Hub 4	6AV3678-3XC30 Service Package F: PP7, PP17 I, PP17 II	6AV3678-1CC10 Service Package f.OP7/17 and TD17	6AV6671-1XA00-0AX0 OP73Micro, OP73, OP77 Service Set	
General information					
Product type designation	Service set	Service pack	Service pack	Service set	
Standards, approvals, certificates					
CE mark	Yes	Yes	Yes	Yes	
RoHS conformity	Yes				
Ambient conditions					
Ambient temperature during operation					
• min.	0 °C	0 °C	0 °C	0 °C	
• max.	55 °C	55 °C	55 °C	55 °C	
Relative humidity					
• Operation, max.	95 %	95 %	95 %	95 %	
Scope of supply					
Delivery quantity in pieces					
• Parts per unit	1; Content: 1x mounting seal, 1x mounting frame, 5x plastic mounting clip, 1x 2-pin female connector	1; Content: 1x mounting seal PP7, 1x mounting seal PP17, 5x plastic mounting clip, 1x 2-pin female connector, 1x 3-pin female connector, 1x 4-pin female connector, 2x 16-pin female connector	1; Content: 1x mounting seal TD17, 1x mounting seal OP7, 1x mounting seal TD/OP17, 5x plastic mounting clip	1; Content: 1x mounting seal OP73, 1x mounting seal OP77, 4x plastic mounting clip, 1x 2-pin female connector	
Other					
Merchandise	Yes				
Manufacturer name	SIEMENS AG				
Manufacturer's address	Gleiwitzerstraße 555, 90475 Nuremberg, Germany				
Target devices	For the Industrial USB Hub 4				
Note:		for PP7, PP17-I, PP17-II	for TD17, OP7, OP17	for OP73micro, OP73, OP77A, OP77B	

Technical specifications

Article number	6AV6881-5AA00-0AA1	6AV6881-5AA00-0AA2	6AV6881-0AG11-0AA0
	Service set KTP Mobile covers	Service set KTP Mobile covers	Service set KTP Mobile screws M3
General information			
Product type designation	Mobile Panel Cover Set without M3	Mobile Panel Cover Set incl. M3	Mobile Panel M3 screw
Standards, approvals, certificates			
CE mark	No; No CE marking obligation		
RoHS conformity	Yes; unnecessary	Yes; unnecessary	Yes; unnecessary
Ambient conditions			
Suited for indoor use	Yes	Yes	Yes
Suited for outdoor use	No; possible under certain conditions	No; possible under certain conditions	No; possible under certain conditions
Ambient temperature during operation			
• min.	0 °C	0 °C	0 °C
• max.	55 °C	55 °C	55 °C
Relative humidity			
• Operation, max.	95 %	95 %	95 %
Mechanics/material			
Material			general requirement according to DIN ISO 8992
• Plastic	Yes; Misc. parts	Yes; Misc. parts	
• Sheet steel	Yes; Miscellaneous screws	Yes; Miscellaneous screws	
Screw type			
• Cross-tip	Yes; Cross-tip including slot	Yes; Cross-tip including slot	Yes; Cross-tip including slot
Dimensions			
Height			12 mm; Overall
Depth			10 mm; Up to underside of screw head
Thickness			11 mm; Screw head
Weights			
Weight (without packaging)	40 g	45 g	2.2 g
Scope of supply			
Delivery quantity in pieces	1; 5x plastic cable clamps, 5x USB covers	1; 5x plastic cable clamps, 5x USB covers, and 5x (M3x10) screws	5; Combination cross-tip collar screw (M3x10)
Components included	5x plastic cable clamps, 5x USB covers	5x plastic cable clamps, 5x USB covers, and 5x (M3x10) screws	Screws for attachment
Other			
Merchandise	No	No	No
Manufacturer name	SIEMENS AG	SIEMENS AG	SIEMENS AG
Manufacturer's address	Gleiwitzerstraße 555, 90475 Nuremberg, Germany	Gleiwitzerstraße 555, 90475 Nuremberg, Germany	Gleiwitzerstraße 555, 90475 Nuremberg, Germany
Target devices	Wired Mobile Panel (PROFIBUS and PROFINET)	Wired Mobile Panel (PROFIBUS and PROFINET)	Wired Mobile Panel (PROFIBUS and PROFINET)
Note:	Observe documentation of the target device	Observe documentation of the target device	Observe documentation of the target device

More information

Note:

Photos and product images may differ from the actual product.

Detailed technical specifications, content information, quantities and compatible core products are listed online in the technical specifications of the respective accessory.

Industry Mall:

<https://mall.industry.siemens.com>

If you use the TIA Selection Tool (selection guide) to find your core product, the appropriate accessories are also displayed automatically. This facilitates selection of suitable accessories.

<http://www.siemens.com/tia-selection-tool>

Data sheets and manufacturer declarations are available for downloading in the Online Support area.

<http://support.automation.siemens.com>

Accessories

Storage media

Overview



Memory media

Memory media which has been tested and approved by Siemens ensure the best possible functionality and compatibility. SIMATIC HMI memory media are suitable for industry and optimized for the requirements in industrial environments. Special formatting and write algorithms ensure fast read/write cycles and a long service life of the memory cells.

Multi Media Cards can also be used in operator panels with SD slots. Detailed information on usability can be found in the memory media and panels technical specifications.

The actual memory capacity of the memory cards or USB flash drives may change depending on production factors. This means that the specified memory capacity may not always be 100% available to the user. When selecting or searching for core products using the SIMATIC selection guide, accessories appropriate to the core product are always automatically displayed or offered.

Due to the nature of the technology used, the reading/writing speed can diminish over time. This is always dependent on the environment, the size of the files saved, the extent to which the card is filled and a number of additional factors. SIMATIC memory cards, however, are always designed so that typically all of the data is reliably written to a card even when the device is being switched off. More information can be taken from the operating instructions of the respective devices.

The following memory media are available:

- MM memory card (Multi Media Card)
- Secure Digital Memory Card
- SD memory card Outdoor
- PC memory card (PC Card)
- PC memory card adapter (PC Card Adapter)
- CF memory card (CompactFlash Card)
- CFAST memory card
- SIMATIC HMI USB memory stick
- SIMATIC HMI USB FlashDrive
- Pushbutton Panel memory module
- IPC memory expansions

Note:

SIMATIC S7 Memory Cards from S7 controllers **may not** be used in operator panels or PC systems.

If used in this way, the memory cards lose their functionality and can then no longer be used with S7 controllers.

SIMATIC HMI system cards **must not be formatted** because this irrevocably deletes system files, and **they can then no longer be used for their usual functions**, or may even become totally worthless.

Cyclic archiving may place very high stress on the memory and could lead to failure. In this case, it is necessary to calculate the write cycles in respect of the frequency and size of the data volume in advance. Network drives are more suitable for archiving larger data volumes at short to very short intervals.

In cases of doubt, please clarify with your Siemens contact person. Failure to comply rules out any repair or replacement.

Ordering data	Article No.	Article No.
<i>Memory cards</i> ¹⁾		
<i>Indoor use only</i>		
SIMATIC MM memory card 128 MB	6AV6671-1CB00-0AX2	
SIMATIC SD memory card 512 MB	6AV6671-8XB10-0AX1	
SIMATIC SD memory card 2 GB	6AV2181-8XP00-0AX0	
SIMATIC SD memory card 32 GB ²⁾	6AV6881-0AP40-0AA0	
SIMATIC CF memory card 512 MB	6AV6574-2AC00-2AA1	
PC memory card, 512 MB (PCMCIA)	6AV6574-2AC00-2AF1	
PC card adapter for CF memory card	6AV6574-2AF00-8AX0	
<i>Can be used indoors and outdoors</i>		
SIMATIC SD memory card, outdoor 2 GB	6AV6881-0AQ10-0AA0	
SIMATIC SD memory card, outdoor 32 GB	6AV6881-0AQ40-0AA0	
		USB flash drive ³⁾
		32 GB, USB 3.0, metal enclosure, boot capability, without software, for current and new SIMATIC HMI Panels and IPCs.
		SIMATIC HMI USB FlashDrive EX1
		• 32 GB, explosion protection, for HMI devices and IPCs with the corresponding slot.
		• 32 GB, explosion protection, for HMI devices and IPCs with the corresponding slot, with recovery function
		SIMATIC IPC CFast
		• 2 GB
		• 4 GB
		• 8 GB
		• 16 GB
		• 30 GB
		• 128 GB
		6AV6881-0AS42-0AA1
		6AV7675-0FX00-0AA0
		6AV7675-0FX10-0AA0
		6ES7648-2BF10-0XF0
		6ES7648-2BF10-0XG0
		6ES7648-2BF10-0XH0
		6ES7648-2BF10-0XJ0
		6ES7648-2BF10-0XK1
		6ES7648-2BF10-0XM1

¹⁾ Not all memory is compatible with every target device. Please observe the current technical specifications of the memory. For compatibility and innovations, see SIMATIC Support pages, search term "Status Accessories" or entry "40466415"

²⁾ For compatibility and innovations, see SIMATIC Support pages, entry 109759104

³⁾ **Note:** This memory stick does not support Classic Panels such as TPs, OPs, and Multi Panels.
The following software in SIOS is available for download for IPC systems. SIMATIC IPC Image & Partition Creator V3.3.2 and SIMATIC IPC BIOS Manager V3.3 (Win PE) preinstalled, incl. CD.

Accessories

Storage media

Technical specifications

Article number	6AV6671-1CB00-0AX2 SIMATIC MM memory card 128 MB	6AV6671-8XB10-0AX1 SIMATIC SD memory card 512 MB	6AV2181-8XP00-0AX0 SIMATIC SD memory card 2 GB	6AV6881-0AP40-0AA0 SIMATIC SD indoor card 32 GB
General information				
Product type designation	MM memory card	SD memory card	SD memory card	SD memory card
Control elements				
Frame size/design				
• Standard	Yes; Typically 10 000 insertion cycles	Yes; Typically 10 000 insertion cycles	Yes; Typically 10 000 insertion cycles	Yes; Typically 10 000 insertion cycles
• Flat	Yes	Yes	Yes	Yes
Installation type/mounting				
Mounting in portrait format possible	Yes	Yes	Yes	Yes
Mounting in landscape format possible	Yes	Yes	Yes	Yes
Supply voltage				
Rated value (DC)	3.3 V; Max 3.6 V	3.3 V; Max 3.6 V	3.3 V; Max 3.6 V	3.3 V; Max 3.6 V
Memory				
Type of memory	MultiMediaCard	Secure Digital memory card	Secure Digital memory card	Secure Digital memory card
Memory size	128 Mbyte	512 Mbyte	2 Gbyte	32 Gbyte
Transmission rate for reading, max.	0 kbit/s; No value available	1.6 Mbit/s; Minimum, typical for newly formatted memory	600 Mbit/s; Typical	600 Mbit/s; Typical
Transmission rate for writing, max.	300 kbit/s; Minimum, typical for newly formatted memory	1.6 Mbit/s; Minimum, typical for newly formatted memory	600 Mbit/s; Typical	600 Mbit/s; Typical
Wear leveling (distributed writing)	Yes; > 100 000 write/read cycles per cell and > 3 000 000 write/read cycles per card	Yes; > 100 000 write/read cycles per cell and > 3 000 000 write/read cycles per card	Yes	Yes
Write protection switch	No	Yes; Effectiveness depends on the device	Yes; Effectiveness depends on the device	Yes; Effectiveness depends on the device
Interfaces				
Device-side interface				
• Number of pins device-side	7	9	9	9
Standards, approvals, certificates				
CE mark	Yes	Yes	Yes	Yes
UL approval		Yes	Yes	Yes
cULus		Yes	Yes	Yes
KC approval		Yes	Yes	Yes
EAC (formerly Gost-R)		Yes	Yes	Yes
RoHS conformity		Yes	Yes	Yes
China RoHS compliance		Yes	Yes	Yes
Marine approval	Yes; Passive component, therefore dependent on target device	Yes; Passive component, therefore dependent on target device	Yes; Passive component, therefore dependent on target device	Yes; Passive component, therefore dependent on target device

Technical specifications

Article number	6AV6671-1CB00-0AX2	6AV6671-8XB10-0AX1	6AV2181-8XP00-0AX0	6AV6881-0AP40-0AA0
	SIMATIC MM memory card 128 MB	SIMATIC SD memory card 512 MB	SIMATIC SD memory card 2 GB	SIMATIC SD indoor card 32 GB
Use in hazardous areas				
• ATEX Zone 2	Yes; Always comply with the operating instructions of the target device.			
• ATEX Zone 22	Yes; Always comply with the operating instructions of the target device.			
• IECEx Zone 2	Yes; Always comply with the operating instructions of the target device.			
• IECEx Zone 22	Yes; Always comply with the operating instructions of the target device.			
• cULus Class I Zone 2, Division 2	Yes; Always comply with the operating instructions of the target device.			
• FM Class I Division 2	Yes; Always comply with the operating instructions of the target device.			
Marine approval				
• Germanischer Lloyd (GL)	Yes; Always comply with the operating instructions of the target device.			
• American Bureau of Shipping (ABS)	Yes; Always comply with the operating instructions of the target device.			
• Bureau Veritas (BV)	Yes; Always comply with the operating instructions of the target device.			
• Det Norske Veritas (DNV)	Yes; Always comply with the operating instructions of the target device.			
• Lloyds Register of Shipping (LRS)	Yes; Always comply with the operating instructions of the target device.			
• Nippon Kaiji Kyokai (Class NK)	Yes; Always comply with the operating instructions of the target device.			
• Polski Rejestr Statkow (PRS)	Yes; Always comply with the operating instructions of the target device.			
• Chinese Classification Society (CCS)	Yes; Always comply with the operating instructions of the target device.			
• Compass working clearance	5 m	5 m	5 m	5 m
Ambient conditions				
Suited for indoor use	Yes	Yes	Yes	Yes
Suited for outdoor use		No	No	No
Ambient temperature during operation				
• min.	0 °C; Indoor	0 °C; Indoor	0 °C	0 °C
• max.	50 °C; Indoor	50 °C; Indoor	55 °C	55 °C
Relative humidity				
• Operation, max.	90 %	90 %	95 %	95 %; no condensation
• Condensation permissible	No; Condensation not permissible	No; Condensation not permissible	No; Condensation not permissible	No; Condensation not permissible
Operating systems				
pre-installed operating system				
• Windows CE			No; Preinstalled system files	No; Preinstalled system files
Runs under operating system				
• Windows CE	Yes	Yes	Yes	Yes
• Windows Vista	Yes	Yes	Yes	Yes
• Windows XP	Yes	Yes	Yes	Yes
• Windows 7	Yes	Yes	Yes	Yes
• Windows 8	Yes	Yes	Yes	Yes
• Windows 10	Yes	Yes	Yes	Yes
• Linux	No	No	Yes	Yes
• other	Yes; Card must not be formatted!	Yes; Card must not be formatted!	Yes; Card must not be formatted!	Yes; Card must not be formatted!

Accessories

Storage media

Technical specifications

Article number	6AV6671-1CB00-0AX2 SIMATIC MM memory card 128 MB	6AV6671-8XB10-0AX1 SIMATIC SD memory card 512 MB	6AV2181-8XP00-0AX0 SIMATIC SD memory card 2 GB	6AV6881-0AP40-0AA0 SIMATIC SD indoor card 32 GB
Mechanics/material				
Enclosure material (front)				
• Plastic	Yes; Gold contacts	Yes; Gold contacts	Yes; Gold contacts	Yes; Gold contacts
Enclosure color (front)	RAL 6034 (color deviation possible)	RAL 6034 (color deviation possible)	RAL 6034 (color deviation possible)	RAL 6034 (color deviation possible)
Service life				
• Number of operating cycles, keys	10; Min. data storage without loss (in years)	10; Min. data storage without loss (in years)	10; min. data storage without loss of data (in years) with new card	10; min. data storage without loss of data (in years) with new card
Dimensions				
Width	24 mm	24 mm	24 mm	24 mm
Height	32 mm	32 mm	32 mm	32 mm
Thickness	2.1 mm	2.1 mm	2.1 mm	2.1 mm
Weights				
Weight (without packaging)	3 g	3 g	3 g	3 g
Scope of supply				
Delivery quantity in pieces	1	1	1	1
Other				
Merchandise	No	No	No	No
Manufacturer name	SIEMENS AG	SIEMENS AG	SIEMENS AG	SIEMENS AG
Manufacturer's address	Gleiwitzerstraße 555, 90475 Nuremberg, Germany	Gleiwitzerstraße 555, 90475 Nuremberg, Germany	Gleiwitzerstraße 555, 90475 Nuremberg, Germany	Gleiwitzerstraße 555, 90475 Nuremberg, Germany
Target devices	for OP77B, TP177B, OP177B, TP277, OP277, C7-635, MP177, MP277, MP377, Mobile Panel 177, Mobile Panel 277, Comfort Panel	for MP177, MP277, MP377 and Mobile Panel 277, WinCC flexible 2008 SP1 and higher for OP77, TP/OP177, TP/OP277, Mobile Panel 177, with SD/MMC slot	Especially for KTP Mobile Panels 2nd Generation, MP377 and Comfort Panels, but also for all other panels (other than Classic Panels) and PCs with suitable slot	Storage medium especially for indoor areas, suitable for Panels as of TIA V16 (observe manual for target panel) but also for PCs with a suitable slot. Formatting destroys the system properties of the card
Note:		MP377 only up to and including FS:04 or ES:04 - Alternatively 2 GB SD card	Not suitable for MP177, MP277, Mobile Panel 277, OP77, TP/OP177, TP/OP277 and Mobile Panel 177	can only be used with TIA V16 or higher, panel firmware must be upgraded if necessary (cannot be used in Classic Panels)

Technical specifications

Article number	6AV6574-2AC00-2AA1 SIMATIC HMI CF memory card, 512 MB	6AV6574-2AC00-2AF1 PC memory card 512 MB	6AV6574-2AF00-8AX0 PC card adapter for CF memory card
General information			
Product type designation	CompactFlash card	PC memory card	PC card adapter
Control elements			
Connection type			
• USB		No	
Frame size/design			
• Standard	Yes	Yes	Yes
• Flat	Yes	Yes	Yes
Installation type/mounting			
Mounting in portrait format possible	Yes	Yes	Yes
Mounting in landscape format possible	Yes	Yes	Yes
Supply voltage			
Rated value (DC)	3.3 V; Selectable power supply: 3.3 V ±10% or 5.0 V ±10%	3.3 V	
Memory			
Type of memory	CompactFlash memory CF type I	Personal computer memory card type II	Personal computer memory card type II
Design	CompactFlash		
Memory size	512 Mbyte	512 Mbyte	0 byte; Only adapter
SLC flash write cycles	2; Millions, consumer quality		
Write protection switch	No	No	No
Standards, approvals, certificates			
CE mark	Yes	Yes	Yes
UL approval	No		No
cULus	No		No
KC approval	No		No
EAC (formerly Gost-R)	No		No
RoHS conformity	Yes	Yes	Yes
China RoHS compliance	Yes	Yes	Yes
Marine approval	Yes; Passive component, therefore dependent on target device		Yes; Passive component, therefore dependent on target device
Use in hazardous areas			
• ATEX Zone 2	Yes; Always comply with the operating instructions of the target device.		
• ATEX Zone 22	Yes; Always comply with the operating instructions of the target device.		
• IECEx Zone 2	Yes; Always comply with the operating instructions of the target device.		
• IECEx Zone 22	Yes; Always comply with the operating instructions of the target device.		
• cULus Class I Zone 2, Division 2	Yes; Always comply with the operating instructions of the target device.		
• FM Class I Division 2	Yes; Always comply with the operating instructions of the target device.		
Marine approval			
• Germanischer Lloyd (GL)	Yes; Always comply with the operating instructions of the target device.		
• American Bureau of Shipping (ABS)	Yes; Always comply with the operating instructions of the target device.		
• Bureau Veritas (BV)	Yes; Always comply with the operating instructions of the target device.		
• Det Norske Veritas (DNV)	Yes; Always comply with the operating instructions of the target device.		
• Lloyds Register of Shipping (LRS)	Yes; Always comply with the operating instructions of the target device.		
• Nippon Kaiji Kyokai (Class NK)	Yes; Always comply with the operating instructions of the target device.		
• Polski Rejestr Statkow (PRS)	Yes; Always comply with the operating instructions of the target device.		
• Chinese Classification Society (CCS)	Yes; Always comply with the operating instructions of the target device.		
• Compass working clearance	5 m		5 m

Accessories

Storage media

Technical specifications

Article number	6AV6574-2AC00-2AA1 SIMATIC HMI CF memory card, 512 MB	6AV6574-2AC00-2AF1 PC memory card 512 MB	6AV6574-2AF00-8AX0 PC card adapter for CF memory card
Ambient conditions			
Suited for indoor use	Yes		Yes
Ambient temperature during operation			
• min.	0 °C; Any mounting angle	0 °C	0 °C; Indoor
• max.	50 °C; Any mounting angle	50 °C	50 °C; Indoor
Relative humidity			
• Operation, max.	90 %	90 %	90 %
• Condensation permissible	No; Condensation not permissible	No	No; Condensation not permissible
Operating systems			
Runs under operating system			
• Windows CE	Yes	Yes	Yes
• Windows Vista	Yes	Yes	Yes
• Windows XP	Yes	Yes	Yes
• Windows 7	Yes	Yes	Yes
• Windows 8	Yes	Yes	Yes
• Linux	No	No	No
• other	Yes; Card must not be formatted!		No
Mechanics/material			
Enclosure material (front)			
• Plastic	Yes	Yes	
• Sheet steel			Yes
Service life			
• Number of operating cycles, keys	10; Min. data storage without loss (in years)		
Dimensions			
Width	42.8 mm	54 mm	54 mm
Height	36.4 mm	85.6 mm	85.6 mm
Thickness	3.3 mm	5 mm	5 mm
Weights			
Weight (without packaging)	10 g	34 g	24 g
Scope of supply			
Delivery quantity in pieces	1	1; Content: CF memory card, 512 MB, and PC card adapter	1
Other			
Merchandise	No	No	No
Manufacturer name	SIEMENS AG	SIEMENS AG	SIEMENS AG
Manufacturer's address	Gleiwitzerstraße 555, 90475 Nuremberg, Germany	Gleiwitzerstraße 555, 90475 Nuremberg, Germany	Gleiwitzerstraße 555, 90475 Nuremberg, Germany
Target devices	for SIMATIC HMI devices with CF slot	for SIMATIC HMI devices with PC card slot	for SIMATIC HMI devices with PC card slot

Technical specifications

Article number	6AV6881-0AQ10-0AA0 SIMATIC SD outdoor card 2 GB	6AV6881-0AQ40-0AA0 SIMATIC SD outdoor card 32 GB
General information		
Product type designation	SD memory card	SD memory card
Control elements		
Frame size/design		
• Standard	Yes; Typically 10 000 insertion cycles	Yes; Typically 10 000 insertion cycles
• Flat	Yes	Yes
Installation type/mounting		
Mounting in portrait format possible	Yes	Yes
Mounting in landscape format possible	Yes	Yes
Supply voltage		
Rated value (DC)	3.3 V; Max 3.6 V	3.3 V; Max 3.6 V
Memory		
Type of memory	Secure Digital memory card	Secure Digital memory card
Memory size	2 Gbyte	32 Gbyte
Transmission rate for reading, max.	600 Mbit/s; Typical	600 Mbit/s; Typical
Transmission rate for writing, max.	600 Mbit/s; Typical	600 Mbit/s; Typical
Wear leveling (distributed writing)	Yes	Yes
Write protection switch	Yes; Effectiveness depends on the device	Yes; Effectiveness depends on the device
Interfaces		
Device-side interface		
• Number of pins device-side	9	9
Standards, approvals, certificates		
CE mark	Yes	Yes
UL approval	Yes	Yes
cULus	Yes	Yes
KC approval	Yes	Yes
EAC (formerly Gost-R)	Yes	Yes
RoHS conformity	Yes	Yes
China RoHS compliance	Yes	Yes
Marine approval	Yes; Passive component, therefore dependent on target device	Yes; Passive component, therefore dependent on target device
Use in hazardous areas		
• ATEX Zone 2	Yes; Always comply with the operating instructions of the target device.	
• ATEX Zone 22	Yes; Always comply with the operating instructions of the target device.	
• IECEx Zone 2	Yes; Always comply with the operating instructions of the target device.	
• IECEx Zone 22	Yes; Always comply with the operating instructions of the target device.	
• cULus Class I Zone 2, Division 2	Yes; Always comply with the operating instructions of the target device.	
• FM Class I Division 2	Yes; Always comply with the operating instructions of the target device.	
Marine approval		
• Germanischer Lloyd (GL)	Yes; Always comply with the operating instructions of the target device.	
• American Bureau of Shipping (ABS)	Yes; Always comply with the operating instructions of the target device.	
• Bureau Veritas (BV)	Yes; Always comply with the operating instructions of the target device.	
• Det Norske Veritas (DNV)	Yes; Always comply with the operating instructions of the target device.	
• Lloyds Register of Shipping (LRS)	Yes; Always comply with the operating instructions of the target device.	
• Nippon Kaiji Kyokai (Class NK)	Yes; Always comply with the operating instructions of the target device.	
• Polski Rejestr Statkow (PRS)	Yes; Always comply with the operating instructions of the target device.	
• Chinese Classification Society (CCS)	Yes; Always comply with the operating instructions of the target device.	
• Compass working clearance	5 m	5 m

Accessories

Storage media

Technical specifications

Article number	6AV6881-0AQ10-0AA0 SIMATIC SD outdoor card 2 GB	6AV6881-0AQ40-0AA0 SIMATIC SD outdoor card 32 GB
Ambient conditions		
Suited for indoor use	Yes	Yes
Suited for outdoor use	Yes	Yes
Ambient temperature during operation		
• min.	-30 °C; Indoor/outdoor	-30 °C; Indoor/outdoor
• max.	60 °C; Indoor/outdoor	60 °C; Indoor/outdoor
Relative humidity		
• Operation, max.	95 %; no condensation	95 %; no condensation
• Condensation permissible	No; Condensation not permissible	No; Condensation not permissible
Operating systems		
pre-installed operating system		
• Windows CE	No; Preinstalled system files	No; Preinstalled system files
Runs under operating system		
• Windows CE	Yes	Yes
• Windows Vista	Yes	Yes
• Windows XP	Yes	Yes
• Windows 7	Yes	Yes
• Windows 8	Yes	Yes
• Windows 10	Yes	Yes
• Linux	Yes	Yes
• other	Yes; Card must not be formatted!	Yes; Card must not be formatted!
Mechanics/material		
Enclosure material (front)		
• Plastic	Yes; Gold contacts	Yes; Gold contacts
Enclosure color (front)	RAL 6034 (color deviation possible)	RAL 6034 (color deviation possible)
Service life		
• Number of operating cycles, keys	10; min. data storage without loss of data (in years) with new card	10; min. data storage without loss of data (in years) with new card
Dimensions		
Width	24 mm	24 mm
Height	32 mm	32 mm
Thickness	2.1 mm	2.1 mm
Weights		
Weight (without packaging)	3 g	3 g
Scope of supply		
Delivery quantity in pieces	1	1
Other		
Merchandise	No	No
Manufacturer name	SIEMENS AG	SIEMENS AG
Manufacturer's address	Gleiwitzerstraße 555, 90475 Nuremberg, Germany	Gleiwitzerstraße 555, 90475 Nuremberg, Germany
Target devices	Storage medium especially for outdoor or indoor areas, suitable for Panels as of TIA V16 (observe manual for target panel) but also for PCs with a suitable slot. Formatting destroys the system properties of the card	Storage medium especially for outdoor or indoor areas, suitable for Panels as of TIA V16 (observe manual for target panel) but also for PCs with a suitable slot. Formatting destroys the system properties of the card
Note:	can only be used with TIA V16 or higher, panel firmware must be upgraded if necessary (cannot be used in Classic Panels)	can only be used with TIA V16 or higher, panel firmware must be upgraded if necessary (cannot be used in Classic Panels)

Technical specifications

Article number	6AV6881-0AS42-0AA1 USB flash drive, 32 GB
General information	
Product type designation	USB flash drive (without software)
Control elements	
Connection type	
• USB	Yes; USB 3.0 type A
Frame size/design	
• Standard	Yes
• Flat	Yes
Installation type/mounting	
Mounting in portrait format possible	Yes
Mounting in landscape format possible	Yes
Supply voltage	
Rated value (DC)	5 V
Memory	
Type of memory	Multi-level cell (MLC)
Memory size	32 Gbyte
Speed class	Up to: read: 75 MB/s, write: 21 MB/s
File format	FAT32
Write cycles MLC flash	3 000; Program/Erase cycle
Write protection switch	No
Interfaces	
Number of USB interfaces	1; USB 3.0 type A
Standards, approvals, certificates	
CE mark	Yes

Article number	6AV6881-0AS42-0AA1 USB flash drive, 32 GB
Ambient conditions	
Ambient temperature during operation	
• min.	0 °C
• max.	50 °C
Relative humidity	
• Operation, max.	85 %
• Condensation permissible	No
Operating systems	
pre-installed operating system	
• Windows CE	Yes
Runs under operating system	
• Windows CE	Yes
• Windows Vista	No
• Windows XP	Yes
• Windows 7	Yes
• Windows 8	Yes
• Windows 10	Yes
• Linux	Yes
Mechanics/material	
Enclosure material (front)	
• Aluminum	Yes
Dimensions	
Width	16.7 mm
Height	59.1 mm
Thickness	7 mm
Weights	
Weight (without packaging)	12 g
Scope of supply	
Delivery quantity in pieces	1; Without content
Other	
Merchandise	No
Manufacturer name	SIEMENS AG
Manufacturer's address	Gleiwitzerstraße 555, 90475 Nuremberg, Germany
Target devices	Suitable for IPC and HMI devices with the corresponding interfaces (see manual)
Note:	TP1500 Comfort Outdoor, TP700 Comfort Outdoor: Observe the temperature range

Accessories

Storage media

Technical specifications

Article number	6AV7675-0FX00-0AA0 SIMATIC USB flash drive 32 GB, Ex	6AV7675-0FX10-0AA0 SIMATIC USB flash drive 32 GB, Ex
General information		
Product type designation	USB flash drive	USB flash drive
Control elements		
Connection type		
• USB	Yes	Yes
Frame size/design		
• Standard	No; Special enclosure for screw mounting	No; Special enclosure for screw mounting
• Flat	No	No
• Space-saving	Yes; Suitable for hazardous zones with locking screw	Yes; Suitable for hazardous zones with locking screw
Installation type/mounting		
Mounting in portrait format possible	Yes	Yes
Mounting in landscape format possible	Yes	Yes
Supply voltage		
Rated value (DC)	5.9 V	5.9 V
Memory		
Type of memory	USB drive	USB drive
Memory size	32 Gbyte	32 Gbyte
Write protection switch	No	No
Degree and class of protection		
IP (all-round)	IP20	IP20
Standards, approvals, certificates		
CE mark	Yes	Yes
CSA approval	Yes	Yes
RoHS conformity	Yes	Yes
Use in hazardous areas		
• ATEX Zone 2	Yes	Yes
• ATEX Zone 22	Yes	Yes
• IECEx Zone 1	Yes; Up to Zone 1, TÜV (German Technical Inspectorate) 06 ATEX 7342, IECEx TUR 13.0005	Yes; Up to Zone 1, TÜV (German Technical Inspectorate) 06 ATEX 7342, IECEx TUR 13.0005
• IECEx Zone 11	Yes; Up to Zone 1, TÜV (German Technical Inspectorate) 06 ATEX 7342, IECEx TUR 13.0005	Yes; Up to Zone 1, TÜV (German Technical Inspectorate) 06 ATEX 7342, IECEx TUR 13.0005
• IECEx Zone 2	Yes	Yes
• IECEx Zone 22	Yes	Yes
• cULus Class I Zone 1	Yes; CSA Class II No. 2649448	Yes; CSA Class II No. 2649448
• cULus Class I Zone 2, Division 2	Yes; CSA Class II No. 2649448	Yes; CSA Class II No. 2649448
• FM Class I Division 2	Yes; CSA Class II No. 2649448	Yes; CSA Class II No. 2649448
• FM Class II Division 2	Yes; CSA, Group F and G; T 130 °C	Yes; CSA, Group F and G; T 130 °C
Ambient conditions		
Suited for indoor use	Yes	Yes
Suited for outdoor use	No	No
Ambient temperature during operation		
• min.	-20 °C	-20 °C
• max.	70 °C	70 °C
Relative humidity		
• Condensation permissible	No	No

Technical specifications

Article number	6AV7675-0FX00-0AA0	6AV7675-0FX10-0AA0
	SIMATIC USB flash drive 32 GB, Ex	SIMATIC USB flash drive 32 GB, Ex
Operating systems		
Runs under operating system		
• Windows CE	No	No
• Windows Vista	Yes	Yes
• Windows XP	Yes	Yes
• Windows 7	Yes	Yes
• Windows 8	Yes	Yes
• Linux	No	No
Mechanics/material		
Material		
• Aluminum	Yes	Yes
Dimensions		
Width	25 mm	25 mm
Height	110 mm	110 mm
Thickness	15 mm	15 mm
Weights		
Weight (without packaging)	70 g	70 g
Scope of supply		
Delivery quantity in pieces	1	1
Components included	USB flash drive (encapsulated) screw fastening and leather casing	USB flash drive (encapsulated) screw fastening and leather casing
Other		
Merchandise	Yes; USBi drive, 16 GB	Yes; USBi drive, 16 GB recovery
Manufacturer name	R. Stahl HMI Systems GmbH	R. Stahl HMI Systems GmbH
Manufacturer's address	Adolf-Grimme-Allee 8, 50829 Cologne, Germany	Adolf-Grimme-Allee 8, 50829 Cologne, Germany
Target devices	ATEX certified for operating on xx6 USB Ex-i and non-Ex interfaces, Zones 1, 2, 21<(>&<)>22 Gas Zones: II 2 G Ex is IIC T4 Dust Zones: II 2 D Ex ibD 21 T110 degrees C	ATEX certified for operating on xx6 USB Ex-i and non-Ex interfaces, Zones 1, 2, 21<(>&<)>22 Gas Zones: II 2 G Ex is IIC T4 Dust Zones: II 2 D Ex ibD 21 T110 degrees C
Note:	Suitable for IPC and HMI devices with the corresponding interfaces (see manual)	Suitable for IPC and HMI devices with the corresponding interfaces (see manual)

More information

Note:

Photos and product images may differ from the actual product.

Detailed technical specifications, content information, quantities and compatible core products are listed online in the technical specifications of the respective accessory.

Industry Mall:

<http://mall.industry.siemens.com>

If you use the TIA Selection Tool (selection guide) to find your core product, the appropriate accessories are also displayed automatically. This facilitates selection of suitable accessories.

<http://www.siemens.com/tia-selection-tool>

Data sheets and manufacturer declarations are available for downloading in the Online Support area.

<http://support.automation.siemens.com>

Accessories

Transport and storage

Overview



Tablet PC transport case



Tablet PC additional case



Tablet PC storage case

Transport and storage cases

Transport and storage cases are perfectly suited for tablet PCs and industrial tablet PCs such as the ITP100.

The basic transport case was created especially for mobile operation of a tablet PC with all of the required accessories, such as a power supply unit, mouse, keyboard, etc. It can be modularly expanded. Various expansion pockets are available for this purpose.

Additional expansion pockets can easily be connected to the basic case. Covered holes allow the tablet to be connected to the power supply unit even during transport without the cable visibly hanging out of the case. This ensures particularly fast access times when used. The basic case features a hook-and-loop strip and a wrist rest for using an optional Bluetooth keyboard. The rear part of the transport case can be opened to allow the tablet PC to be optimally set up in the case as well. The outer fabric straps can be used for securing anything from tools to writing materials, meaning that everything is at your fingertips during a service call.

Optimal ventilation during operation is also provided for. Thick, elastic material ribs not only protect against small impacts, but also against over-heating. A rugged shoulder strap, a double carrying handle, and side reflective strips round off the well thought out transport case.

A case with all-round protection meant purely for storage purposes is also available for tablet PCs.

Note:

The expansion module pockets must be ordered separately. 1 to 3 small expansion pockets or 1 small and 1 medium expansion pocket can be attached to one basic case at the same time.

Ordering data	Article No.
Basic transport bag for tablet PC: Multifunctional transport bag, suitable, for example, for the tablet PC ITP1000 or other tablet PCs, laptops. Can be expanded. Can be used as stand, with carrying strap.	6AV6881-0AW11-3AA0
Small expansion pocket for tablet PC Expansion pocket, small, suitable for transport bag ITP1000.	6AV6881-0AW12-3AA0
Medium expansion pocket for tablet PC Expansion pocket, medium-size, suitable for transport bag ITP1000. Can be used instead of 2 small ones.	6AV6881-0AW13-3AA0
Storage bag for tablet PC Universal storage bag, suitable for all tablet PCs.	6AV6881-0AW11-2AA0
Tablet PC support with handle for ITP1000	6AV6881-0AW21-3AA0
Tablet PC carrying strap for ITP1000	6AV6881-0AW31-3AA0

Technical specifications

Article number	6AV6881-0AW11-3AA0	6AV6881-0AW12-3AA0	6AV6881-0AW13-3AA0	6AV6881-0AW11-2AA0	6AV6881-0AW21-3AA0	6AV6881-0AW31-3AA0
	Transport bag Basic Tablet	Additional pocket small Tablet	Additional pocket medium Tablet	Storage bag Tablet	Tablet PC support with handle	Tablet PC carrying strap
General information						
Product type designation	Transport pouch basic	Transport pouch small	Transport pouch medium	Transport pouch storage	Tablet PC holder with handle	Tablet PC carrying strap
Control elements						
Frame size/design						
• Exceptional	Yes; Integrated ventilation, laying of cables possible	No	Yes; With integrated cable opening	No	Yes; Optimized for tablet PC, ITP1000	Yes; Optimized for tablet PC, ITP1000
Ergonomics						
• Trackball rest	Yes	No	No	No	No; Adjustable handle with hook-and-loop connection, any useful angle can be set	No; Carrying strap with adjustable shoulder pad
• Adjustable height	No; Case with stand function	No	No	No	No	No; Strap can be adjusted for length
Installation type/mounting						
Mounting type					Rear assembly with provided screws	Rear lug mounting, also suitable as a belt strap
Degree and class of protection						
IP (all-round)					none	none
Standards, approvals, certificates						
CE mark					No; No CE marking obligation	No; No CE marking obligation
Ambient conditions						
Suited for indoor use	Yes; Washable	Yes; Washable	Yes; Washable	Yes; Washable	Yes	Yes
Suited for outdoor use	Yes; Washable	Yes; Washable	Yes; Washable	Yes; Washable	Yes	Yes
Ambient temperature during operation						
• min.	-30 °C; Indoor/outdoor	-30 °C; Indoor/outdoor	-30 °C; Indoor/outdoor	-30 °C; Indoor/outdoor	0 °C	0 °C
• max.	60 °C; Indoor/outdoor	60 °C; Indoor/outdoor	60 °C; Indoor/outdoor	60 °C; Indoor/outdoor	50 °C	50 °C
Relative humidity						
• Operation, max.	95 %	95 %	95 %	95 %	90 %	90 %
• Condensation permissible	Yes; Applies only for case, not for contents	Yes; Applies only for case, not for contents	Yes; Applies only for case, not for contents	Yes; Applies only for case, not for contents		
Mechanics/material						
Material						
• Plastic	Yes; 420 HD nylon	Yes; 420 HD nylon	Yes; 420 HD nylon	Yes; 420 HD nylon		
Torques/forces						
• Tightening torque, min.					1 N·m; Insufficient torque can lead to loosening of the screws	1 N·m; Insufficient torque can lead to loosening of the screws
• Tightening torque, max.					1.5 N·m	1.5 N·m

Accessories

Transport and storage

Technical specifications

Article number	6AV6881-0AW11-3AA0	6AV6881-0AW12-3AA0	6AV6881-0AW13-3AA0	6AV6881-0AW11-2AA0	6AV6881-0AW21-3AA0	6AV6881-0AW31-3AA0
	Transport bag Basic Tablet	Additional pocket small Tablet	Additional pocket medium Tablet	Storage bag Tablet	Tablet PC support with handle	Tablet PC carrying strap
Dimensions						
Width	40 cm; Approximate dimension	18 cm; Approximate dimension	25 cm; Approximate dimension	35 cm; Approximate dimension		
Height	30 cm; Approximate dimension	12 cm; Approximate dimension	18 cm; Approximate dimension	24 cm; Approximate dimension		
Depth	10 cm; Approximate dimension	5 cm; Approximate dimension	5 cm; Approximate dimension	5 cm; Approximate dimension		
Mounting cutout, width	33 cm; Max. device width	10 cm; Max. device width	20 cm; Max. device width	33 cm; Max. device width		
Mounting cutout, height	23 cm; Max. device height	14 cm; Max. device height	14 cm; Max. device height	23 cm; Max. device height		
Overall depth	3 cm; Max. device depth	3 cm; Max. device depth	3 cm; Max. device depth	3 cm; Max. device depth		
Weights						
Weight (without packaging)	280 g	35 g	50 g	50 g	0.4 kg	0.25 kg
Scope of supply						
Delivery quantity in pieces	1	1	1	1	1; 1x mounting plate with 4 lugs, 1x handle with hook-and-loop pad, 4x M4 screws, 4x washers	1; 1x carrying strap, adjustable length with snap hooks, 2 lugs, 2x M4 screws, 2x washers
Other						
Merchandise	Yes; Tatonka 6540.040	Yes; Tatonka 6541.040	Yes; Tatonka 6542.040	Yes; Tatonka 6539.040	Yes	Yes
Manufacturer name	TATONKA GmbH	TATONKA GmbH	TATONKA GmbH	TATONKA GmbH	ADVITEX GmbH	ADVITEX GmbH
Manufacturer's address	Robert-Bosch-Straße 3, 86451 Dasing, Germany	Robert-Bosch-Straße 3, 86451 Dasing, Germany	Robert-Bosch-Straße 3, 86451 Dasing, Germany	Robert-Bosch-Straße 3, 86451 Dasing, Germany	Eisenbahnstraße 40, 75228 Ispringen, Germany	Eisenbahnstraße 40, 75228 Ispringen, Germany
Target devices	Suitable laptops and tablets, or similar	Suitable laptops and tablets, or similar	Suitable laptops and tablets, or similar	Suitable laptops and tablets, or similar	suitable for all appropriate interfaces	suitable for all appropriate interfaces
Note:	Integrated cable inlets for power supply unit, hard disks etc. - simply flip open to get started	Integrated cable inlets for power supply unit, hard disks etc. - simply flip open to get started	Integrated cable inlets for power supply unit, hard disks etc. - simply flip open to get started	Integrated cable inlets for power supply unit, hard disks etc. - simply flip open to get started	Commodity, can be used for ITP1000	Commodity, can be used for ITP1000

More information

Note:

Photos and product images may differ from the actual product.

Detailed technical specifications, content information, quantities and compatible core products are listed online in the technical specifications of the respective accessory.

Industry Mall:

<https://mall.industry.siemens.com>

If you use the TIA Selection Tool (selection guide) to find your core product, the appropriate accessories are also displayed automatically. This facilitates selection of suitable accessories.

<http://www.siemens.com/tia-selection-tool>

Data sheets and manufacturer declarations are available for downloading in the Online Support area.

<http://support.automation.siemens.com>

Overview**Distribution boards**

Industrial distribution boards are used for extending and/or multiplying interfaces. The distribution boards offered here are optimized for SIMATIC devices and intended for industrial use.

This also includes the interface extensions. A USB device interface with IP65 ¹⁾ degree of protection is provided on the front of the control cabinet or console.

¹⁾ The stated degree of protection always refers to the closed interface. The stated degree of protection can differ significantly from the stated value when using the USB interfaces.

USB extension

Installation of an external USB interface is practical if external input devices or mass storage devices are frequently connected to a SIMATIC HMI PRO device. The USB interface can optionally be mounted at the top or bottom of the device. Use of the USB interface increases the availability of the system to be operated. It is also no longer necessary to open the backplane of the SIMATIC HMI PRO device to connect I/O.

Further benefits:

- Accessible to any operator without the need for tools
- Also suitable for retrofitting in enclosure
- Mountable on the front
- Increased degree of protection at front if protective cover is closed

Ordering data**Article No.****1-port USB interface set
RAL9023**

RAL9023 (gray), with USB 2.0 socket, type A, for basic adapter for PRO devices, max. current consumption USB with Thin Client, MP377 and Flat Panel must be observed

6AV7674-0LX00-0AA0**2-port USB interface set
RAL9023**

RAL9023 (gray), with USB 2.0 socket, type A, for basic adapter for PRO devices, max. current consumption USB with Thin Client, MP377 and Flat Panel must be observed

6AV7674-0LX01-0AA0**Technical specifications**

Article number	6AV7674-0LX00-0AA0 1 port USB interface set RAL9023	6AV7674-0LX01-0AA0 2 port USB interface set RAL9023
General information		
Product type designation	USB port	USB port
Standards, approvals, certificates		
CE mark	No; No CE marking obligation	No; No CE marking obligation
RoHS conformity	Yes	Yes
Scope of supply		
Delivery quantity in pieces	1	1
Other		
Merchandise	Yes; 1-port USB interface	
Manufacturer name	RITTAL GmbH & Co. KG	
Manufacturer's address	Auf dem Stützelberg, 35745 Herborn, Germany	
Note:	for general use or for PRO devices with a suitable USB interface	

More informationNote:

Modifications or additions to the products described here can be found and ordered under "Customer-specific products". It is also still possible to request special sector-specific products for customer-specific modification and adaptation.

Photos and product images may differ from the actual product.

Detailed technical specifications, content information, quantities and compatible core products are listed online in the technical specifications of the respective accessory.

Industry Mall:

<https://mall.industry.siemens.com>

If you use the TIA Selection Tool (selection guide) to find your core product, the appropriate accessories are also displayed automatically. This facilitates selection of suitable accessories.

<http://www.siemens.com/tia-selection-tool>

Data sheets and manufacturer declarations are available for downloading in the Online Support area.

<http://support.automation.siemens.com>

Accessories

Additional accessories

Overview



SIMATIC small components are also perfected for the industrial environment and optimally matched to the SIMATIC HMI devices.

In order to achieve attractive prices, it is only possible in some cases to order packages containing larger quantities.

Note:

Keys for KTP Mobile come with a preset breaking point. This ensures that a key can still always be removed from a KTP Mobile lock even if it breaks off.

Ordering data

Article No.

Spare key for Mobile Panel, Type 10 For key-operated switch of the Mobile Panel.	6AV6574-1AG04-4AA0
Spare key for Mobile Panel, Type 13 For key-operated switch of the Mobile Panel 2 nd Generation.	6AV2181-5AR80-0AX0
Spare key PRO, Type 14 For Extension Unit	6AV6881-4AR23-0AA0
Spare key PRO, Safety, Type 14 For Extension Unit	6AV6881-4AR23-1AA0
Battery compartment lid for all IWLAN Mobile Panels with Article No. 6AV6645-0...	6AV6881-5AM52-0AA0

Technical specifications

Article number	6AV6574-1AG04-4AA0	6AV2181-5AR80-0AX0	6AV6881-5AM52-0AA0
	Spare key Mobile Panel, type 10	Spare key Mobile Panel, type 13	Battery cover IWLAN Mobile Panel
General information			
Product type designation	Spare key Mobile Panel 1st Generation	Spare key	Battery compartment cover
Standards, approvals, certificates			
CE mark	Yes	No; No CE marking obligation	No; No CE marking obligation
RoHS conformity	Yes		
Ambient conditions			
Ambient temperature during operation			
• min.	-40 °C	-40 °C	-40 °C
• max.	80 °C	80 °C	80 °C
Relative humidity			
• Operation, max.	90 %	90 %	90 %
Mechanics/material			
Material			
• Plastic			Yes; Incl. seal
• Sheet steel	Yes; Handle made of plastic	Yes; Handle made of plastic	
Dimensions			
Width	35 mm	15 mm	8 mm; Approximate dimension
Height	18 mm	35 mm	10 mm; Approximate dimension
Depth			5 mm; Approximate dimension
Thickness	4 mm	4 mm	
Weights			
Weight (without packaging)	30 g	5 g	22 g
Scope of supply			
Delivery quantity in pieces	10; Coupled with key ring	5	1
Other			
Merchandise	No	No	No
Manufacturer name	SIEMENS AG	SIEMENS AG	SIEMENS AG
Manufacturer's address	Gleiwitzerstraße 555, 90475 Nuremberg, Germany	Gleiwitzerstraße 555, 90475 Nuremberg, Germany	Gleiwitzerstraße 555, 90475 Nuremberg, Germany
Target devices	For Mobile Panel 1st Generation	For Mobile Panel 2nd Generation	For Mobile Panel 2nd Generation
Note:			Only required for IWLAN

More information

Note:

Photos and product images may differ from the actual product.

Detailed technical specifications, content information, quantities and compatible core products are listed online in the technical specifications of the respective accessory.

Industry Mall:

<https://mall.industry.siemens.com>

If you use the TIA Selection Tool (selection guide) to find your core product, the appropriate accessories are also displayed automatically. This facilitates selection of suitable accessories.

<http://www.siemens.com/tia-selection-tool>

Data sheets and manufacturer declarations are available for downloading in the Online Support area.

<http://support.automation.siemens.com>

Accessories

Industrial Wireless LAN, Access Control with RFID

Access points IEEE 802.11n

Overview



SCALANCE W1788 M12 for indoor use:

The SCALANCE W-1788 M12 Access Points are rugged IP65 IWLAN devices with an M12 connector for 10/100/1000 Mbps with Power over Ethernet according to IEEE 802.3at Type 2 for applications outside the control cabinet. They enable wireless local networking of plant parts with a requirement for high bandwidths, for example through Gigabit data rates or high user density in the network. The access points are therefore especially suitable for cabinet-free industrial applications indoors.

The integrated, innovative MU-MIMO (Multi-user MIMO) technology ensures an even more efficient data throughput and the option to structure data flows. In addition, the switch integrated in the access point offers various networking options thanks to two Ethernet Gigabit ports.

Permanently mounted M12 and N-Connect connectors and the high IP65 degree of protection ensure simple and secure mounting outside the control cabinet while the proven iPRP iFeature enables bumpless redundancy via WLAN. In mobile applications, such as automated guided vehicles or railway applications, redundant wireless communication ensures reliable data transmission.

Product versions:

SCALANCE W1788-1 M12

- One radio card permanently installed in the device; functional scope can be expanded using a CLP

SCALANCE W1788-2 M12

- Two radio cards permanently installed in the device; functional scope can be expanded using a CLP.

SCALANCE W1788-2IA M12

- Two radio cards permanently installed in the device; eight internal antennas; functional scope can be expanded using a CLP.

SCALANCE W1788 M12 EEC for an extended range of ambient conditions:

The SCALANCE W-1788 M12 EEC Access Point is a rugged IP65 IWLAN device with one M12 connector for 10/100/1000 Mbps with Power over Ethernet according to IEEE 802.3at Type 2 for applications outside the control cabinet.

It also offers an extended temperature range, special approvals and conformal coating. This means it allows wireless local networking of plant parts in especially harsh industrial environments with a requirement for high bandwidths, for example through Gigabit data rates or high user density in the network.

The access point is suitable for use in industrial and automation applications, especially in the rail transport environment.

The integrated, innovative MU-MIMO (Multi-user MIMO) technology ensures an even more efficient data throughput and the option to structure data flows. In addition, the switch integrated in the access point offers various networking options, such as link aggregation or redundancy, thanks to two Ethernet Gigabit ports.

Permanently mounted M12 and N-Connect connectors and the high IP65 degree of protection ensure simple and secure mounting outside the control cabinet while the proven iPRP iFeature enables bumpless redundancy via WLAN. In mobile applications, such as automated guided vehicles or railway applications, redundant wireless communication ensures reliable data transmission.

Product version:

SCALANCE W1788-2 M12 EEC

- Two radio cards permanently installed in the device; extended ambient conditions and conformal coating
- Functional scope can be expanded using a CLP

SCALANCE W788 RJ45 for use in control cabinet:

The rugged SCALANCE W788 RJ45 Access Points with IP30 degree of protection and one RJ45 connector for 10/100/1000 Mbps with Power over Ethernet according to IEEE 802.3at are perfectly suitable for setting up Industrial Wireless LAN (IWLAN) wireless networks in which the access point is to be mounted in the control cabinet.

With data transfer rates of up to 450 Mbps according to the standard IEEE 802.11n, the access points enable reliable, wireless data transmission in real time. The access point portfolio also includes an extensive range of antennas as well as numerous mounting options for a wide variety of applications.

With iFeatures such as iPCF (Industrial Point Coordination Function) activated via the KEY-PLUG W780 iFeatures, new application areas are opened up: Data transmission along rail tracks, in amusement parks or even applications with EMERGENCY OFF function with PROFIsafe over wireless become possible.

Product versions:

SCALANCE W788-1 RJ45

- A radio card is permanently installed in the device; functional scope can be expanded by using a KEY-PLUG W780 iFeatures

SCALANCE W788-2 RJ45

- Two radio cards permanently installed in the device; functional scope can be expanded by using a KEY-PLUG W780 iFeatures

SCALANCE W788 M12 for indoor use:

The rugged SCALANCE W788 RJ45 Access Points with IP65 degree of protection and one M12 connector for 10/100/1000 Mbps with Power over Ethernet according to IEEE 802.3at are perfectly suitable for setting up Industrial Wireless LAN (IWLAN) wireless networks and for applications outside the control cabinet.

With data transfer rates of up to 450 Mbps according to the standard IEEE 802.11n, the access points enable reliable, wireless data transmission in real time. The access point portfolio also includes an extensive range of antennas as well as numerous mounting options for a wide variety of applications.

With iFeatures such as iPCF (Industrial Point Coordination Function) activated via the KEY-PLUG W780 iFeatures, new application areas are opened up:

Overview

Data transmission along rail tracks, in amusement parks or even applications with EMERGENCY OFF function with PROFIsafe over wireless become possible.

Product versions:

SCALANCE W788-1 M12

- A radio card is permanently installed in the device; functional scope can be expanded by using a KEY-PLUG W780 iFeatures

SCALANCE W788-2 M12

- Two radio cards permanently installed in the device; functional scope can be expanded by using a KEY-PLUG W780 iFeatures

SCALANCE W788 M12 EEC for an extended range of ambient conditions:

The rugged SCALANCE W788 RJ45 access point with IP65 degree of protection and one M12 connector for 10/100/1000 Mbps with Power over Ethernet according to IEEE 802.3at Type 2 is perfectly suitable for setting up Industrial Wireless LAN (IWLAN) wireless networks and for applications outside the control cabinet. It also offers an extended temperature range, special approvals and conformal coating. This means it enables wireless local networking of plant parts in especially harsh industrial environments and is therefore suitable for use in industrial and automation applications, especially in the rail transport environment.

With data transfer rates of up to 450 Mbps according to the standard IEEE 802.11n, the access points enable reliable, wireless data transmission in real time. The access point portfolio also includes an extensive range of antennas as well as numerous mounting options for a wide variety of applications.

With iFeatures such as iPCF (industrial Point Coordination Function) activated via the KEY-PLUG W780 iFeatures, new application areas are opened up: Data transmission along rail tracks, in amusement parks or even applications with EMERGENCY OFF function with PROFIsafe over wireless become possible.

Product version:

SCALANCE W788-2 M12 EEC

- Two radio cards permanently installed in the device; functional scope can be expanded by using a KEY-PLUG W780 iFeatures

SCALANCE W786 RJ45 for outdoor use:

The rugged SCALANCE W786 RJ45 Access Point with IP65 degree of protection and one RJ45 connector for 10/100/1000 Mbps with Power over Ethernet according to IEEE 802.3at for integrated solutions from the control level to the field with easy mounting in the control cabinet. This access point is particularly well-suited to outdoor applications with demanding climatic requirements and in areas accessible to the public.

With data transfer rates of up to 450 Mbps according to the standard IEEE 802.11n, the access points enable reliable, wireless data transmission in real time. The access point portfolio also includes an extensive range of antennas as well as numerous mounting options for a wide variety of applications.

With iFeatures such as iPCF (industrial Point Coordination Function) activated via the KEY-PLUG W780 iFeatures, new application areas are opened up: Data transmission along rail tracks, in amusement parks or even applications with EMERGENCY OFF function with PROFIsafe over wireless become possible.

Product versions:

SCALANCE W786-1 RJ45

- A radio card is permanently installed in the device; functional scope can be expanded by using a KEY-PLUG W780 iFeatures

SCALANCE W786-2 RJ45

- Two radio cards permanently installed in the device; functional scope can be expanded by using a KEY-PLUG W780 iFeatures

SCALANCE W786-2IA RJ45

- Two radio cards permanently installed in the device; six internal antennas; functional scope can be expanded by using a KEY-PLUG W780 iFeatures

SCALANCE W786 SFP for outdoor use:

The rugged SCALANCE W786 SFP Access Point with IP65 degree of protection and 6 x R-SMA sockets for connection of remote antennas as well as two slots for SFP plug-in transceivers (optical 2 port switch) for integrated solutions from the control level to the field with easy mounting in the control cabinet. This access point is particularly well-suited to outdoor applications with demanding climatic requirements and in areas accessible to the public.

With data transfer rates of up to 450 Mbps according to the standard IEEE 802.11n, the access points enable reliable, wireless data transmission in real time. The access point portfolio also includes an extensive range of antennas as well as numerous mounting options for a wide variety of applications.

With iFeatures such as iPCF (industrial Point Coordination Function) activated via the KEY-PLUG W780 iFeatures, new application areas are opened up: Data transmission along rail tracks, in amusement parks or even applications with EMERGENCY OFF function with PROFIsafe over wireless become possible.

Product version:

SCALANCE W786-2 SFP

- Two radio cards permanently installed in the device; can be expanded to establish wireless connections with KEY-PLUG W780 iFeatures

SCALANCE W774 RJ45 for use in control cabinet:

The SCALANCE W774 RJ45 Access Point with IP30 degree of protection is a WLAN-capable device with two RJ45 connectors for 10/100 Mbps, where one connector has Power over Ethernet according to IEEE 802.3at, for integrated solutions from the control level to the field with easy mounting in the control cabinet. The W774-1 RJ45 enables local, wireless access to the plant and coexistence with other wireless systems by supporting 2.4 GHz and 5 GHz frequency bands. The access points in SIMATIC S7-1500 design are especially suitable for applications where the device is to be mounted in the control cabinet.

In perfect interaction with SIMATIC S7-1500, the device enables wireless transmission of data as well as communication between the PLC and an ET 200MP. It can be used to implement simple machine networks all the way to large wireless areas using MIMO technology with data transfer rates of up to 300 Mbps. In addition, it offers wireless data transmission in real time via PROFINET IO thanks to optional iFeatures provided by the KEY-PLUG W780 iFeature.

Product version:

SCALANCE W774-1 RJ45

- A radio card is permanently installed in the device; functional scope can be expanded by using a KEY-PLUG W780 iFeatures

Accessories

Industrial Wireless LAN, Access Control with RFID

Access points IEEE 802.11n

Overview

SCALANCE W774 M12 EEC for an extended range of ambient conditions:

The compact SCALANCE W774 M12 EEC Access Point with IP30 degree of protection is a WLAN-capable device with two M12 connectors for 10/100 Mbps, where one connector has Power over Ethernet according to IEEE 802.3at; it has railway approval and is suitable for partition wall installation.

In perfect interaction with SIMATIC S7-1500, the device enables wireless transmission of data as well as communication between the PLC and an ET 200MP. It can be used to implement simple machine networks all the way to large wireless areas using MIMO technology with data transfer rates of up to 300 Mbps. In addition, it offers wireless data transmission in real time via PROFINET IO thanks to optional iFeatures provided by the KEY-PLUG W780 iFeature.

Thanks to coated printed circuit boards (conformal coating), the SCALANCE W774-1 M12 EEC access point meets the requirements for traffic and transportation (EN 50155, E1).

Product version:

SCALANCE W774-1 M12 EEC

- A radio card is permanently installed in the device; functional scope can be expanded by using a KEY-PLUG W780 iFeatures

SCALANCE W778-1 M12 for indoor use:

The rugged SCALANCE W778-1 M12 Access Point with IP65 degree of protection and two M12 connectors for 10/100 Mbps, where one connector has Power over Ethernet according to IEEE 802.3at, is perfectly suitable for setting up Industrial Wireless LAN (IWLAN) wireless networks and for applications outside the control cabinet. Low-wear communication can be set up to movable stations using a PROFINET or EtherNet/IP connection via WLAN. The access point is suitable for easy, space-saving and cabinet-free on-site assembly in industrial and automation applications.

In perfect interaction with SIMATIC S7-1500, the device enables wireless transmission of data as well as communication between the PLC and an ET 200MP. It can be used to implement simple machine networks all the way to large wireless areas using MIMO technology with data transfer rates of up to 300 Mbps. In addition, it offers wireless data transmission in real time via PROFINET IO thanks to optional iFeatures provided by the KEY-PLUG W780 iFeature.

Due to their IP65 rating and compact design, the devices can be used in harsh ambient conditions and offer various mounting options using a DIN rail mounting adapter, angled adapter or direct wall mounting with screws. The access point portfolio also includes an extensive range of antennas.

Product version:

SCALANCE W778-1 M12

- Access point with one radio card permanently installed in the device; functional scope can be expanded using a KEY-PLUG W780 iFeature

SCALANCE W778-1 M12 EEC for an extended range of ambient conditions:

The rugged SCALANCE W778-1 M12 access point with IP65 degree of protection and two M12 connectors for 10/100 Mbps, where one connector has Power over Ethernet according to IEEE 802.3at, is perfectly suitable for setting up Industrial Wireless LAN (IWLAN) wireless networks and for applications outside the control cabinet. In addition, the device increases security in the network in combination with KEY-PLUG W700 Security when "Inter AP-Blocking" is activated. The access point is suitable for use in general industrial and automation applications, but especially for extended ambient conditions such as in the rail transport environment

In perfect interaction with SIMATIC S7-1500, the device enables wireless transmission of data as well as communication between the PLC and an ET 200MP. It can be used to implement simple machine networks all the way to large wireless areas using MIMO technology with data transfer rates of up to 300 Mbps. In addition, it offers wireless data transmission in real time via PROFINET IO thanks to optional iFeatures provided by the KEY-PLUG W780 iFeature.

Due to their IP65 rating and compact design, the devices can be used in harsh ambient conditions and offer various mounting options using a DIN rail mounting adapter, angled adapter or direct wall mounting with screws. The access point portfolio also includes an extensive range of antennas.

Thanks to coated printed circuit boards (conformal coating), the SCALANCE W774-1 M12 EEC and SCALANCE W778-1 M12 EEC access points meet the requirements for traffic and transportation (EN 50155, E1).

Product version:

SCALANCE W778-1 M12 EEC

- Access point with one radio card permanently installed in the device; functional scope can be expanded using a KEY-PLUG W780 iFeature

SCALANCE W761 RJ45 for use in control cabinet:

The SCALANCE W761 RJ45 Access Point with IP20 degree of protection and one RJ45 connector for 10/100 Mbps is perfectly suitable for setting up Industrial Wireless LAN (IWLAN) wireless networks for integrated solutions from the control level to the field. The space-saving device supports 2.4 GHz and 5 GHz frequency bands and is suitable for applications where the device is to be mounted in the control cabinet.

The SCALANCE W761 RJ45 Access Point gives you the option to easily and cost-efficiently implement wireless machine networks. The access point portfolio also includes an extensive range of antennas. It is the counterpart of the W721 clients for cost-efficient point-to-point connections and enables wireless commissioning of the plant.

Thanks to their SIMATIC design, automation components such as an ET 200SP can be seamlessly integrated into an Industrial Wireless LAN to save space in the control cabinet. This is implemented according to the IEEE 802.11n standard and with data transfer rates of up to 150 Mbps; thanks to the increased bandwidth, it can be expanded to include video data.

Product version:

SCALANCE W761-1 RJ45

- One radio card permanently installed in the device

Overview

- Space-saving access point, suitable for applications where the device is to be mounted in the control cabinet

Ordering data**Article No.****SCALANCE W761 access points**

IWLAN access point with built-in wireless interface; wireless networks IEEE 802.11a/b/g/h/n at 2.4/5 GHz up to 150 Mbps; WPA2/AES; degree of protection IP20 (0 °C to +55 °C); scope of delivery: Mounting hardware, 3-pin screw terminal for 24 V DC; manual on CD-ROM; German/English

SCALANCE W761-1 RJ45

IWLAN access point with one built-in wireless interface

- Country approvals for operation outside the USA
- Country approvals for operation within the USA¹⁾

6GK5761-1FC00-0AA0**6GK5761-1FC00-0AB0**

¹⁾ Please note country approvals under <http://www.siemens.com/wireless-approvals>

More information**Selection Tool:**

To support the selection of SCALANCE network components, the TIA Selection Tool is available at:

<http://www.siemens.com/tst>

Wireless approvals:

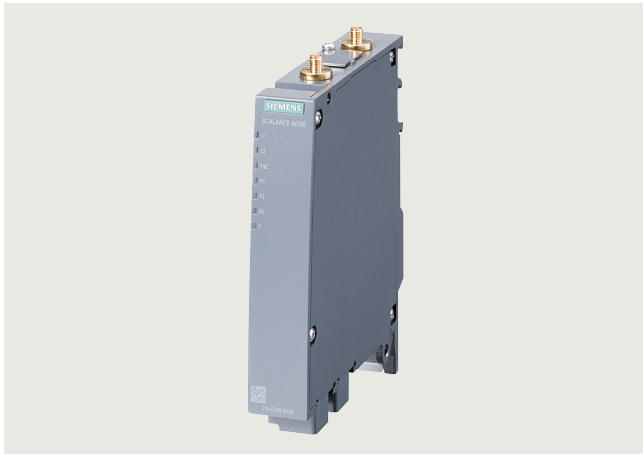
Current approvals can be found on the Internet at: <http://www.siemens.com/wireless-approvals>

Accessories

Industrial Wireless LAN, Access Control with RFID
Access points IEEE 802.11n

SCALANCE W774 RJ45 for the control cabinet

Overview



- Access points in SIMATIC S7-1500 design are suitable for applications where the device is to be mounted in the control cabinet

Ordering data

Article No.

SCALANCE W774 access points

IWLAN access points with built-in wireless interface for establishing radio connections with iFeatures; wireless networks
IEEE 802.11a/b/g/h/n
at 2.4/5 GHz up to 300 Mbps;
WPA2/AES;
integrated 2-port switch;
Power over Ethernet (PoE),
IP30 degree of protection
(-20 °C to +60 °C);
scope of delivery:
Mounting hardware,
4-pin screw terminal for 24 V DC;
manual on CD-ROM;
German/English

SCALANCE W774-1 RJ45

IWLAN access point with one built-in wireless interface

- Country approvals for operation outside the USA
- Country approvals for operation within the USA¹⁾
- Country approvals for operation in Israel¹⁾

6GK5774-1FX00-0AA0

6GK5774-1FX00-0AB0

6GK5774-1FX00-0AC0

¹⁾ Please note country approvals under <http://www.siemens.com/wireless-approvals>

More information

Selection Tool:

To support the selection of SCALANCE network components, the TIA Selection Tool is available at:

<http://www.siemens.com/tst>

Wireless approvals:

Current approvals can be found on the Internet at:
<http://www.siemens.com/wireless-approvals>

SCALANCE W774 M12 EEC for an extended range of ambient conditions**Overview**

- Suitable for use in industrial and automation applications in general, but especially in railway applications where the access point is to be mounted in the control cabinet

Ordering data**Article No.****SCALANCE W774 M12 EEC
access points**

IWLAN Access Points with built-in wireless interface; wireless networks IEEE 802.11a/b/g/h/n at 2.4/5 GHz up to 300 Mbps; railway approval in accordance with EN 50155; conformal coating; WPA2/AES; Power over Ethernet (PoE), IP20 degree of protection; scope of delivery: Mounting hardware; manual on CD-ROM, English/German

SCALANCE W774-1 M12 EEC

IWLAN access point with one integrated wireless interface

- Country approvals for operation outside the USA
- Country approvals for operation within the USA¹⁾

6GK5774-1FY00-0TA0**6GK5774-1FY00-0TB0**

¹⁾ Please note country approvals under <http://www.siemens.com/wireless-approvals>

More information**Selection Tool:**

To support the selection of SCALANCE network components, the TIA Selection Tool is available at:

<http://www.siemens.com/tst>

Wireless approvals:

Current approvals can be found on the Internet at: <http://www.siemens.com/wireless-approvals>

Accessories

Industrial Wireless LAN, Access Control with RFID
Access points IEEE 802.11n

KEY-PLUG W700, CLP W700

Overview



- Removable data storage medium with which iFeatures and security features are enabled
- If a fault occurs, it allows fast and simple device replacement of SCALANCE W components without a PG
- Can be used in all SCALANCE W700 IEEE 802.11n products with a PLUG compartment
- For the automatic backup of configuration data

Ordering data

KEY-PLUG W780 iFeatures

Removable data storage medium for enabling additional iFeatures, for simple device replacement in the event of a fault, and for storing configuration data. Can be used in SCALANCE W access points with a PLUG slot

6GK5907-8PA00

KEY-PLUG W740 iFeatures

Removable data storage medium for enabling additional iFeatures, for simple device replacement in the event of a fault, and for storing configuration data. Can be used in SCALANCE W client modules with a PLUG slot

6GK5907-4PA00

KEY-PLUG W700 Security

Removable data storage medium for enabling security features for SCALANCE W700, for simple device replacement in the event of a fault, and for storing configuration data.

6GK5907-0PA00

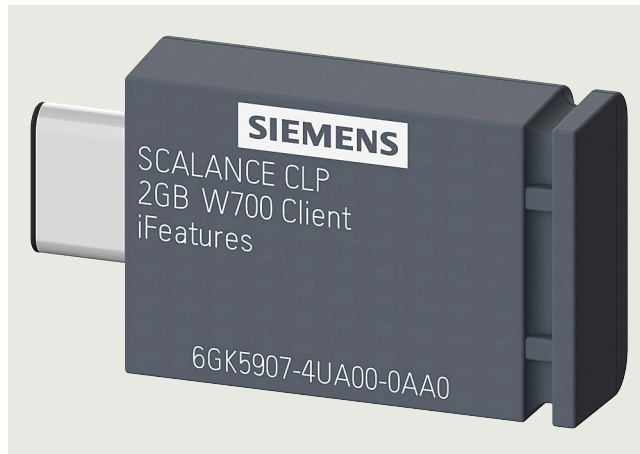
More information

Selection Tool:

To support the selection of SCALANCE network components, the TIA Selection Tool is available at:

<http://www.siemens.com/tst>

Overview



- Removable data storage medium with which iFeatures and security features are enabled
- If a fault occurs, it allows fast and simple device replacement of SCALANCE W components without a PG
- Can be used in all SCALANCE W700 IEEE 802.11ac and IEEE 802.11ax products with a CLP slot
- For the automatic backup of configuration data

Ordering data

SCALANCE CLP 2GB W700 client iFeatures

Removable data storage medium for enabling iFeatures for SCALANCE W in client mode, enables easy device replacement in the event of a fault, as well as storage of configuration data or engineering and application data, for all SCALANCE W1700 devices.

Article No.

6GK5907-4UA00-0AA0

SCALANCE CLP 2GB W700 AP iFeatures

Removable data storage medium for enabling iFeatures for SCALANCE W in access point mode, enables easy device replacement in the event of a fault, as well as storage of configuration data or engineering and application data, for all SCALANCE W1700 devices.

6GK5907-8UA00-0AA0

More information

Selection Tool:

The TIA Selection Tool supports the selection of corresponding network components and software and is available at:

<http://www.siemens.com/tst>

Overview

Industrial access point according to IEEE 802.11ax (WiFi 6)

- Especially suitable for industrial applications where the device is to be mounted in the control cabinet

Ordering data**SCALANCE WAM763-1 access points**

IWLAN access point,
1 radio, 2.4/5 GHz,
IEEE 802.11ax (WiFi 6),
2 RSMA connectors,
iFeatures support via CLP,
1201 Mbps (gross),
4x10/100/1000 Mbps RJ45 port,
redundant 24 V DC,
terminal block,
IP30,
-30...+60 °C,
CLP slot, DI/DQ,
terminal block,
note country approvals!
CERT ID: MSAX-W1-RJ-E2
operation outside USA/Israel
scope of delivery:
Manuals on DVD,
English/German,
3x terminal block

Article No.**6GK5763-1AL00-7DA0****More information****Selection Tool:**

To support the selection of SCALANCE network components, the TIA Selection Tool is available at:

<http://www.siemens.com/tst>

Accessories

Industrial Wireless LAN, Access Control with RFID
Access points IEEE 802.11ax

SCALANCE WAM766-1 for indoor use

Overview



Industrial access point according to IEEE 802.11ax (WiFi 6).

- Particularly suitable for industrial applications with cabinet-free setup

Ordering data

Article No.

SCALANCE WAM766-1 access points

IWLAN access point;
1 radio, 2.4/5 GHz,
2 N-Connect connectors,
iFeatures support via CLP,
IEEE 802.11ax (WiFi 6),
1201 Mbps (gross) per radio,
1x10/100/1000 Mbps M12 socket,
redundant 24 V DC,
M12 L-coded, PoE,
IP65 (non-EEC variant:
-30 °C to +60 °C;
EEC variant: -30 °C to +75 °C),
CLP slot, DI/DQ, A-coded,
note country approvals!
CERT ID: MSAX65-W1-M12-E2,
FCCID: LYHMSAX*,
scope of delivery:
Manuals on DVD,
English/German,
sealing caps for connectors

SCALANCE WAM766-1

- Country approvals for operation outside the USA/Israel¹⁾
- Country approval for operation in the USA¹⁾

6GK5766-1GE00-7DA0

6GK5766-1GE00-7DB0

SCALANCE WAM766-1 EEC

- Country approvals for operation outside the USA/Israel¹⁾
- Country approval for operation in the USA¹⁾

6GK5766-1GE00-7TA0

6GK5766-1GE00-7TB0

¹⁾ Please note country approvals under <http://www.siemens.com/wireless-approvals>

More information

Selection Tool:

To support the selection of SCALANCE network components, the TIA Selection Tool is available at:

<http://www.siemens.com/tst>

SCALANCE WAM766-1 EEC for an extended range of ambient conditions

Overview



Industrial access point according to IEEE 802.11ax (WiFi 6).

- Particularly suitable for industrial applications with cabinet-free setup

Ordering data

Article No.

**SCALANCE WAM766-1 EEC
access points**

IWLAN access point;
1 radio, 2,4/5 GHz,
2 N-Connect connectors,
iFeatures support via CLP,
IEEE 802.11ax (WiFi 6),
1201 Mbps (gross) per radio,
1x10/100/1000 Mbps M12 socket,
redundant 24 V DC, M12 L-coded,
PoE, IP65 (-30 °C to +75 °C),
CLP slot, DI/DQ, A-coded,
note country approvals!
CERT ID: MSAX65-W1-M12-E2,
FCCID: LYHMSAX*,
scope of delivery:
Manuals on DVD,
English/German,
sealing caps for connectors

SCALANCE WAM766-1 EEC

- Country approvals for operation outside the USA/Israel¹⁾
- Country approval for operation in the USA¹⁾

¹⁾ Please note country approvals under <http://www.siemens.com/wireless-approvals>

6GK5766-1GE00-7TA0

6GK5766-1GE00-7TB0

More information

Selection Tool:

To support the selection of SCALANCE network components, the TIA Selection Tool is available at:

<http://www.siemens.com/tst>

Accessories

Industrial Wireless LAN, Access Control with RFID
SIMATIC RF1000

RF1040R

Overview



SIMATIC RF1040R Reader with card holder

The SIMATIC RF1040R Reader allows individual control of access rights on machinery and systems. The reader operates primarily in the LF range with 125 kHz and supports conventional standards for employee IDs (Hitag 1/2/S, EM41xx, Cotag, EKS). Transponders with ISO 14443 A/B (MIFARE) and ISO 15693 standards can also be read.

SIMATIC RF1000 readers feature a USB interface for connection to Windows-based computers and third-party HMIs (1.8 m cable with USB plug, type A). Due to its rugged, compact design and shallow installation depth, the reader is ideally suited for applications where mounting space is at a premium or in harsh industrial environments, such as in panels.

The RF1040R Reader features an additional RS232 interface. This allows the reader to be easily integrated into a wide range of system environments:

- PROFINET via RF18xC/CI
- S7-1200 via RF120C
- PROFIBUS via RF166C
- ET 200pro via RF170C
- ET 200SP, PCs, third-party HMI, other control systems

The reader features a 3-color LED status display as well as an acoustic signaling element.

Ordering data

Article No.

SIMATIC RF1040R Reader

6GT2831-6CA50

Access control reader (LF 125 kHz) for HITAG 1/2/S, EM41xx/45xx, EKS as well as (HF 13.56 MHz) for ISO14443 A/B (MIFARE), ISO15693, with USB connection (incl. 1.8 m connecting cable) and RS232

Accessories

Card holder for RF1040R

6GT2890-0CA00

Config card RF1100T for all RF1000 readers

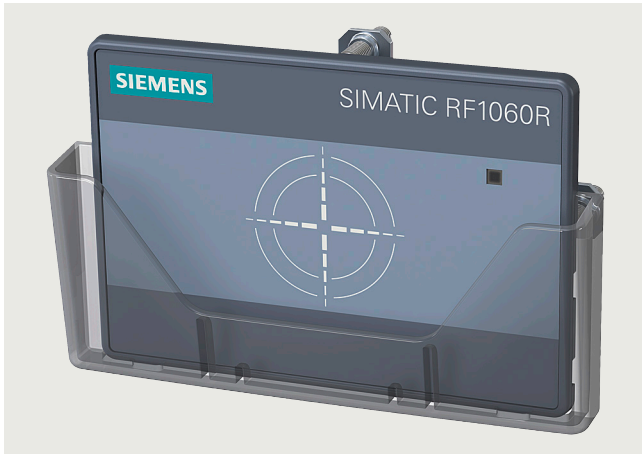
6GT2300-0CC00-0AX0

MIFARE DESFire EV2 8kB
Memory EEPROM, IP67,
-25 ... +60 °C, 85 x 54 x 0.8 mm

Optional USB cable 0.5 m (type A plug)

6GT2891-0UE50

Reader with USB cable and card holder

Overview

SIMATIC RF1060R Reader with card holder

The SIMATIC RF1060R Reader makes it easy to use existing employee IDs (ISO 14443 A/B and ISO 15693 standards) for the operation of machines and plants. The RF1060R Reader features a USB interface (1.8 m cable with USB plug, type A) for connection to Windows-based computers.

Due to its compact design and shallow installation depth, the reader is ideally suited for applications where mounting space is at a premium, such as in panels.

Ordering data**Article No.**

SIMATIC RF1060R Reader
Access control reader
(13.56 MHz) for ISO 14443 A/B
(MIFARE) and ISO 15693,
with USB connection
(incl. 1.8 m connecting cable)

6GT2831-6AA50**Accessories****Card holder for RF1060R****6GT2890-0CA00****Config card RF1100T for all
RF1000 readers****6GT2300-0CC00-0AX0**

MIFARE DESFire EV2 8kB
Memory EEPROM, IP67,
-25 ... +60 °C, 85 x 54 x 0.8 mm

**Optional USB cable 0.5 m
(type A plug)****6GT2891-0UE50**

Reader with USB cable and
card holder

Accessories

Industrial Wireless LAN, Access Control with RFID
SIMATIC RF1000

RF1070R

Overview



SIMATIC RF1070R Reader with card holder

The SIMATIC RF1070R Reader allows individual control of access rights on machinery and systems. In addition to ISO 14443 A/B (MIFARE) and ISO 15693, the reader also complies with the LEGIC Prime and LEGIC Advant standards, thus enabling the use of existing employee IDs.

Readers of the SIMATIC RF1000 series feature a USB interface for connection to Windows-based computers and third-party HMIs (1.8 m cable with USB plug, type A). Due to its rugged, compact design and shallow installation depth, the reader is ideally suited for applications where mounting space is at a premium or in harsh industrial environments, such as in panels.

The RF1070R Reader features an additional RS232 interface. This allows the reader to be easily integrated into a wide range of system environments:

- PROFINET via RF18xC/CI
- S7-1200 via RF120C
- PROFIBUS via RF166C
- ET 200pro via RF170C
- ET 200SP, PCs, third-party HMI, other control systems

The reader features a 3-color LED status display as well as an acoustic signaling element.

The reader is also available as RF1070R OEM version with neutral front film. In addition to the supplied neutral front film, you can also create your own design and attach this to the reader. Please note that the OEM version does not have ATEX approval.

Ordering data

Article No.

SIMATIC RF1070R Reader

6GT2831-6BA50

Access control reader (13.56 MHz) for ISO 14443 A/B (MIFARE), ISO 15693, Legic Prime, Legic Advant, with USB connection (incl. 1.8 m connecting cable) and RS232

SIMATIC RF1070R OEM Reader

6GT2831-6BA50-0AX0

Access control reader (13.56 MHz) for ISO 14443 A/B (MIFARE), ISO 15693, Legic Prime, Legic Advant, with USB connection (incl. 1.8 m connecting cable) and RS232 with supplied neutral front film

Overview



Universal data memory (752 bytes EEPROM) in credit card format (85 mm × 54 mm × 0.8 mm), degree of protection IP68, temperature range up to +60 °C and max. read/write distance of 70 mm.

Ordering data

Article No.

Transponder MDS E600

MOBY E Mobile data storage unit
MDS E600 ISO card, 752 byte
EEPROM, IP68, -25 ... +60 °C,
85 × 54 × 0.8 mm

- For RF300, MOBY E
- Minimum order quantity: 50 units

6GT2300-0AA00**Accessories****Fixing lug pocket for
MDS E600****6GT2390-0AA00****Fixing lug for
MDS E600/E611****6GT2190-0AB00****Spacer for fixing lug,
thickness 20 mm****6GT2190-0AA00**

Accessories

Process coupling

Connecting cables

Overview



Connecting cables

Key

P = PROCESS COUPLING

K = Optional process coupling (option required)

D = DOWNLOAD (update operating system, project, ...)

U = Booting (factory setting in the case of a missing or damaged operating system)

MBP = Mobile Panel

Overview
Overview of SIMATIC HMI connection options

	RS 232 external (15/9-pin)	TD-PPI (incl. voltage)	RS 232 Null modem	RS 232/PPI multi-master cable	USB/PPI multi-master cable	MPI (PG-S7) up to 187.5 kbaud
	6XV1440-2Kxxx	6ES7901-3EB10-0XA0	6ES7901-1BF00-0XA0	6ES7901-3CB30-0XA0	6ES7901-3DB30-0XA0	6ES7901-0BF00-0AA0
Key Panel KP8/KP8F, KP32F	-	-	-	-	-	-
PP7, PP17-I, PP17-II	-	-	-	-	-	-
KTP400 Basic mono PN	-	-	-	-	-	-
KTP600 Basic mono PN	-	-	-	-	-	-
KTP600 Basic color DP	-	-	-	D/U	D/U	P/D
KTP600 Basic color PN	-	-	-	-	-	-
KTP1000 Basic color DP	-	-	-	D/U	D/U	P/D
KTP1000 Basic color PN	-	-	-	-	-	-
KTP1500 Basic color PN	-	-	-	-	-	-
K(T)P400 Comfort	-	-	-	-	-	P/D
K(T)P700 - KP1500 Comfort	-	-	-	-	-	P/D
TP700 -TP2200 Comfort	-	-	-	-	-	P/D
MBP 177	-	-	-	D/U	-	-
MBP 277	-	-	-	D/U	-	-
TD200	-	P	-	D/U	-	P
TD400C	-	P	-	D/U	-	P
OP73micro	-	P	-	D/U	D/U	P
TP177micro	-	-	-	D/U	D/U	-
OP73	-	P	-	D/U	D/U	P/D
OP77A	-	-	-	D/U	D/U	P/D
OP77B	P	-	D/U	-	-	P/D
TP177A	-	-	-	D/U	D/U	P/D
TP177B	P ¹⁾	-	-	D/U	-	P/D
TP177B 4"	P ¹⁾	-	D	D	-	P/D
OP177B	P ¹⁾	-	-	D/U	-	P/D
TP277-6	P ¹⁾	-	-	D/U	-	P/D
OP277-6	P ¹⁾	-	-	D/U	-	P/D
MP177-6 T	P ¹⁾	-	-	D/U	-	P/D
MP277-8 T	P ¹⁾	-	-	D/U	-	P/D
MP277-10 T	P ¹⁾	-	-	D/U	-	P/D
MP377-12 T	P ¹⁾	-	-	D	-	P/D
MP377-15 T	P ¹⁾	-	-	D	-	P/D
MP377-19 T	P ¹⁾	-	-	D	-	P/D

¹⁾ Only in conjunction with the RS 422/232 converter

Accessories

Process coupling

Connecting cables

Overview

	DP PtP	DP Standard	DP (Mobile Panel)	PN (cross cable) ¹⁾ Point-to-point	PN (standard cable) ¹⁾	PN (Mobile Panel)	RS 422 to RS 232 converter	RS 232 to TTY converter (20 mA)	90° angular (9-pin 1:1)
Key Panel KP8/KP8F, KP32F	-	-	-	P/D	P/D	-	-	-	-
PP7, PP17-I, PP17-II	P	P	-	-	-	-	-	-	-
KTP400 Basic mono PN	-	-	-	P/D/U	P/D/U	-	-	-	-
KTP600 Basic mono PN	-	-	-	P/D/U	P/D/U	-	-	-	-
KTP600 Basic color DP	P/D	P/D	-	-	-	-	-	-	P/D/U
KTP600 Basic color PN	-	-	-	P/D/U	P/D/U	-	-	-	-
KTP1000 Basic color DP	P/D	P/D	-	-	-	-	-	-	P/D/U
KTP1000 Basic color PN	-	-	-	P/D/U	P/D/U	-	-	-	-
KTP1500 Basic color PN	-	-	-	P/D/U	P/D/U	-	-	-	-
K(T)P400 Comfort	P/D	P/D	-	P/D/U	P/D/U	-	-	-	P/D/U
K(T)P700 - TP1500 Comfort	P/D	P/D	-	P/D/U	P/D/U	-	-	-	P/D/U
TP700 -TP2200 Comfort	P/D	P/D	-	P/D/U	P/D/U	-	-	-	P/D/U
MBP 177 DP	P/D	P/D	P/D	-	-	-	-	-	-
MBP 177 PN	-	-	-	-	-	P/D	-	-	-
MBP 277	P/D	P/D	P/D	-	-	P/D	-	-	-
TD200	-	-	-	-	-	-	-	-	-
TD400C	-	-	-	-	-	-	-	-	-
OP73micro	P	-	-	-	-	-	-	-	-
TP177micro	P	P	-	-	-	-	-	-	P/D/U
OP73	P	P	-	-	-	-	-	-	-
OP77A	P	P	-	-	-	-	-	-	P/D/U
OP77B	P/D	P/D	-	-	-	-	-	P	P/D/U
TP177A	P	P	-	-	-	-	-	-	P/D/U
TP177B DP	P/D	P/D	-	-	-	-	P	P ²⁾	P/D/U
TP177B PN/DP	P/D	P/D	-	P/D	P/D	-	P	P ²⁾	P/D/U
TP177B 4*	P/D	P/D	-	P/D/U	P/D/U	-	P	P ²⁾	P/D/U
OP177B DP	P/D	P/D	-	-	-	-	P	P ²⁾	P/D/U
OP177B PN/DP	P/D	P/D	-	P/D	P/D	-	P	P ²⁾	P/D/U
TP277-6	P/D	P/D	-	P/D	P/D	-	P	P ²⁾	P/D/U
OP277-6	P/D	P/D	-	P/D	P/D	-	P	P ²⁾	P/D/U
MP177-6 T	P/D	P/D	-	P/D	P/D	-	P	P ²⁾	P/D/U
MP277-8 T	P/D	P/D	-	P/D	P/D	-	P	P ²⁾	P/D/U
MP277-8 K	P/D	P/D	-	P/D	P/D	-	P	P ²⁾	P/D/U
MP277-10 T	P/D	P/D	-	P/D	P/D	-	P	P ²⁾	P/D/U
MP277-10 K	P/D	P/D	-	P/D	P/D	-	P	P ²⁾	P/D/U
MP377-12 T	P/D	P/D	-	P/D/U	P/D/U	-	P	P ²⁾	P/D
MP377-12 K	P/D	P/D	-	P/D/U	P/D/U	-	P	P ²⁾	P/D
MP377-15 T	P/D	P/D	-	P/D/U	P/D/U	-	P	P ²⁾	P/D
MP377-19 T	P/D	P/D	-	P/D/U	P/D/U	-	P	P ²⁾	P/D

Note:

This table is for basic orientation only. Technical characteristics are described in the communication manual or the respective user manual.

¹⁾ PROFINET IRT (isochronous runtime); isochronous mode only possible with IRT-enabled switch

²⁾ WinCC flexible 2008 SP2 and higher

Ordering data	Article No.	Article No.																																										
Connecting cables SIMATIC S7 connecting cables MPI cable between SIMATIC S7 and programming device via MPI max. 187.5 kBaud, standard length 5.0 m	6ES7901-0BF00-0AA0	Connecting cable for KTP Mobile Panels <ul style="list-style-type: none"> • 2 m • 5 m • 8 m • 10 m • 15 m • 20 m • 25 m USB connecting cable Optional 0.5 m USB cable (type A connector) female to male, can be used as extension for USB cable with type "A" connector																																										
Connecting cable between HMI adapter and PC/TS Adapter (RS 232 cable/null-modem cable) for OP 77B, TP 177A/B, OP 177B, standard length 5.0 m	6ES7901-1BF00-0XA0																																											
PROFIBUS 830-1T connecting cable For connection of data terminals, pre-assembled with two D-sub connectors, 9-pin terminated at both ends for PP, OP 73micro, OP 73, TP 177micro, OP 77A/B, TP 177A, TP/OP 177B <ul style="list-style-type: none"> • 1.5 m • 3.0 m 	6XV1830-1CH15 6XV1830-1CH30																																											
PROFIBUS FC standard cable ²⁾ For connection to PPI; standard type with special design for quick mounting, 2-wire, shielded, sold by the meter, max. delivery unit 1000 m, minimum order quantity 20 m	6XV1830-0EH10	Length code for connecting cables With connecting cables whose length is freely selectable according to the following lists, the blanks (...) in the Article No. must be completed in accordance with the length codes given. The different length codes must be taken into account here! Other lengths on request. <u>Length code for 6XV connecting cables</u> <hr/> 6XV. ... connecting cables <table border="1"> <thead> <tr> <th>Length of the connecting cable = Multiplier x length key</th> <th>Article No. supplement of the connecting cable</th> </tr> </thead> <tbody> <tr> <td></td> <td>6XV...-.....</td> </tr> <tr> <td>Multiplier</td> <td></td> </tr> <tr> <td>• 0.01 m</td> <td>6XV...-..E..</td> </tr> <tr> <td>• 0.1 m</td> <td>6XV...-..H..</td> </tr> <tr> <td>• 1.0 m</td> <td>6XV...-..N..</td> </tr> <tr> <td>• 10.0 m</td> <td>6XV...-..T..</td> </tr> <tr> <td>• 100.0 m</td> <td>6XV...-..U..</td> </tr> <tr> <td>Length digit</td> <td></td> </tr> <tr> <td>• 10</td> <td>6XV...-...10</td> </tr> <tr> <td>• 12</td> <td>6XV...-...12</td> </tr> <tr> <td>• 15</td> <td>6XV...-...15</td> </tr> <tr> <td>• 16</td> <td>6XV...-...16</td> </tr> <tr> <td>• 20</td> <td>6XV...-...20</td> </tr> <tr> <td>• 25</td> <td>6XV...-...25</td> </tr> <tr> <td>• 32</td> <td>6XV...-...32</td> </tr> <tr> <td>• 40</td> <td>6XV...-...40</td> </tr> <tr> <td>• 50</td> <td>6XV...-...50</td> </tr> <tr> <td>• 60</td> <td>6XV...-...60</td> </tr> <tr> <td>• 63</td> <td>6XV...-...63</td> </tr> <tr> <td>• 80</td> <td>6XV...-...80</td> </tr> </tbody> </table>	Length of the connecting cable = Multiplier x length key	Article No. supplement of the connecting cable		6XV...-.....	Multiplier		• 0.01 m	6XV...-..E..	• 0.1 m	6XV...-..H..	• 1.0 m	6XV...-..N..	• 10.0 m	6XV...-..T..	• 100.0 m	6XV...-..U..	Length digit		• 10	6XV...-...10	• 12	6XV...-...12	• 15	6XV...-...15	• 16	6XV...-...16	• 20	6XV...-...20	• 25	6XV...-...25	• 32	6XV...-...32	• 40	6XV...-...40	• 50	6XV...-...50	• 60	6XV...-...60	• 63	6XV...-...63	• 80	6XV...-...80
Length of the connecting cable = Multiplier x length key	Article No. supplement of the connecting cable																																											
	6XV...-.....																																											
Multiplier																																												
• 0.01 m	6XV...-..E..																																											
• 0.1 m	6XV...-..H..																																											
• 1.0 m	6XV...-..N..																																											
• 10.0 m	6XV...-..T..																																											
• 100.0 m	6XV...-..U..																																											
Length digit																																												
• 10	6XV...-...10																																											
• 12	6XV...-...12																																											
• 15	6XV...-...15																																											
• 16	6XV...-...16																																											
• 20	6XV...-...20																																											
• 25	6XV...-...25																																											
• 32	6XV...-...32																																											
• 40	6XV...-...40																																											
• 50	6XV...-...50																																											
• 60	6XV...-...60																																											
• 63	6XV...-...63																																											
• 80	6XV...-...80																																											
Industrial Ethernet TP XP cord RJ45/RJ45 Crossed twisted pair line 4 x 2, preassembled with 2 x RJ45 connectors <ul style="list-style-type: none"> • 0.5 m • 1.0 m • 2.0 m • 6.0 m • 10.0 m 	6XV1870-3RE50 6XV1870-3RH10 6XV1870-3RH20 6XV1870-3RH60 6XV1870-3RN10																																											
DP connecting cable (MPI/PROFIBUS) For wired Mobile Panels 177, Mobile Panels 277, standard lengths <ul style="list-style-type: none"> • 2 m • 5 m • 8 m • 10 m • 15 m • 20 m • 25 m ¹⁾ 	6XV1440-4AH20 6XV1440-4AH50 6XV1440-4AH80 6XV1440-4AN10 6XV1440-4AN15 6XV1440-4AN20 6XV1440-4AN25																																											
PN connecting cable (PROFINET) For wired Mobile Panels 177, Mobile Panels 277, standard lengths <ul style="list-style-type: none"> • 2 m • 5 m • 8 m • 10 m • 15 m • 20 m • 25 m ¹⁾ 	6XV1440-4BH20 6XV1440-4BH50 6XV1440-4BH80 6XV1440-4BN10 6XV1440-4BN15 6XV1440-4BN20 6XV1440-4BN25																																											

- 1) Instead of using longer cables, we recommend that you use additional connection boxes.
- 2) See length code.

Length code for connecting cables

With connecting cables whose length is freely selectable according to the following lists, the blanks (...) in the Article No. must be completed in accordance with the length codes given. The different length codes must be taken into account here! Other lengths on request.

Length code for 6XV connecting cables

6XV. ... connecting cables

Length of the connecting cable = Multiplier x length key	Article No. supplement of the connecting cable
	6XV...-.....
Multiplier	
• 0.01 m	6XV...-..E..
• 0.1 m	6XV...-..H..
• 1.0 m	6XV...-..N..
• 10.0 m	6XV...-..T..
• 100.0 m	6XV...-..U..
Length digit	
• 10	6XV...-...10
• 12	6XV...-...12
• 15	6XV...-...15
• 16	6XV...-...16
• 20	6XV...-...20
• 25	6XV...-...25
• 32	6XV...-...32
• 40	6XV...-...40
• 50	6XV...-...50
• 60	6XV...-...60
• 63	6XV...-...63
• 80	6XV...-...80

- 0.01 m
- 0.1 m
- 1.0 m
- 10.0 m
- 100.0 m

- 10
- 12
- 15
- 16
- 20
- 25
- 32
- 40
- 50
- 60
- 63
- 80

Ordering example:

The 6XV1404-0A... connecting cable must be 16 m long. Multiplier 1.0 m (N) x length digit 16 (16) gives a length of 16 m. The Article No. supplement is N16. Enter this in the blank spaces of the Article No.

The complete Article No. for the 16-m-long connecting cable is then: **6XV1404-0AN16**.

Accessories

Process coupling

Connecting cables

Technical specifications

Article number	6ES7901-0BF00-0AA0 S7 MPI Cable, 5m			6ES7901-1BF00-0XA0 RS232 / zero Modem Cable, 6 M			
General information							
Product type designation	MPI cable			RS 232/null modem cable			
Cables							
Cable length	5 m			6 m			
Weights							
Weight, approx.	293 g			272 g			
Article number	6XV1440-4AH20	6XV1440-4AH50	6XV1440-4AH80	6XV1440-4AN10	6XV1440-4AN15	6XV1440-4AN20	6XV1440-4AN25
	Connecting cable Mobile Panels, 2M	Connecting cable Mobile Panels, 5M	Connecting cable Mobile Panels, 8M	Connecting cable Mobile Panels, 10M	Connecting cable Mobile Panels, 15M	Connecting cable Mobile Panels, 20M	Connecting cable Mobile Panels, 25M
General information							
Product type designation	MPI/DP connecting cable	MPI/DP connecting cable	MPI/DP connecting cable	MPI/DP connecting cable	MPI/DP connecting cable	MPI/DP connecting cable	MPI/DP connecting cable
Supply voltage							
Rated value (DC)	24 V; DC	24 V; DC	24 V; DC		24 V; DC	24 V; DC	24 V; DC
Degree and class of protection							
IP (at the front)	IP65	IP65	IP65		IP65	IP65	IP65
IP (rear)	IP65	IP65	IP65		IP65	IP65	IP65
Standards, approvals, certificates							
CE mark	Yes	Yes	Yes		Yes	Yes	Yes
Ambient conditions							
Ambient temperature during operation							
• min.	0 °C	0 °C	0 °C		0 °C	0 °C	0 °C
• max.	55 °C	55 °C	55 °C		55 °C	55 °C	55 °C
Relative humidity							
• Operation, max.	85 %	85 %	85 %		85 %	85 %	85 %
Cables							
Cable length	2 m	5 m	8 m	10 m	15 m	20 m	25 m
smallest bending radius	45 mm	45 mm	45 mm		45 mm	45 mm	45 mm
Color of cable sheath	red	red	red		red	red	red
Oil resistance of outer sheath	Yes; Hydrolysis-resistant and oil-resistant acc. to VDE 0472 Part 803/B, also resistant to commercially available lubricants and hydraulic oils	Yes; Hydrolysis-resistant and oil-resistant acc. to VDE 0472 Part 803/B, also resistant to commercially available lubricants and hydraulic oils	Yes; Hydrolysis-resistant and oil-resistant acc. to VDE 0472 Part 803/B, also resistant to commercially available lubricants and hydraulic oils		Yes; Hydrolysis-resistant and oil-resistant acc. to VDE 0472 Part 803/B, also resistant to commercially available lubricants and hydraulic oils	Yes; Hydrolysis-resistant and oil-resistant acc. to VDE 0472 Part 803/B, also resistant to commercially available lubricants and hydraulic oils	Yes; Hydrolysis-resistant and oil-resistant acc. to VDE 0472 Part 803/B, also resistant to commercially available lubricants and hydraulic oils
Resistance to MEK, xylene, toluene, isopropanol	Yes	Yes	Yes		Yes	Yes	Yes
Mechanics/material							
Material of cable sheath	Special PUR, flame-resistant acc. to VDE 0472 Part 804 Test Type B, Shore A 88 Flame-Retardant UR Style 20963	Special PUR, flame-resistant acc. to VDE 0472 Part 804 Test Type B, Shore A 88 Flame-Retardant UR Style 20963	Special PUR, flame-resistant acc. to VDE 0472 Part 804 Test Type B, Shore A 88 Flame-Retardant UR Style 20963		Special PUR, flame-resistant acc. to VDE 0472 Part 804 Test Type B, Shore A 88 Flame-Retardant UR Style 20963	Special PUR, flame-resistant acc. to VDE 0472 Part 804 Test Type B, Shore A 88 Flame-Retardant UR Style 20963	Special PUR, flame-resistant acc. to VDE 0472 Part 804 Test Type B, Shore A 88 Flame-Retardant UR Style 20963
Dimensions							
Thickness	9 mm	9 mm	9 mm		9 mm	9 mm	9 mm
Scope of supply							
Delivery quantity in pieces	1	1	1		1	1	1
Other							
Merchandise	No	No	No	No	No	No	No
Manufacturer name	SIEMENS AG						
Manufacturer's address	Gleiwitzerstraße 555, 90475 Nuremberg, Germany						
contacting the manufacturer	Email: simatic_hmi_panel_helpdesk.i-ia@siemens.com						

Technical specifications

Article number	6XV1440-4BH20 Conn. cable PN for MOBILE PANELS, 2M	6XV1440-4BH50 Conn. cable PN for MOBILE PANELS, 5M	6XV1440-4BH80 Conn. cable PN for MOBILE PANELS, 8M
General information			
Product type designation	PN connecting cable	PN connecting cable	PN connecting cable
Supply voltage			
Rated value (DC)	24 V	24 V	24 V
Degree and class of protection			
IP (at the front)	IP65	IP65	IP65
IP (rear)	IP65	IP65	IP65
Standards, approvals, certificates			
CE mark	Yes	Yes	Yes
Ambient conditions			
Ambient temperature during operation			
• min.	0 °C	0 °C	0 °C
• max.	55 °C	55 °C	55 °C
Relative humidity			
• Operation, max.	85 %	85 %	85 %
Cables			
Cable length	2 m	5 m	8 m
smallest bending radius	45 mm	45 mm	45 mm
Color of cable sheath	green	green	green
Oil resistance of outer sheath	Yes; Hydrolysis-resistant and oil-resistant acc. to VDE 0472 Part 803/B, also resistant to commercially available lubricants and hydraulic oils	Yes; Hydrolysis-resistant and oil-resistant acc. to VDE 0472 Part 803/B, also resistant to commercially available lubricants and hydraulic oils	Yes; Hydrolysis-resistant and oil-resistant acc. to VDE 0472 Part 803/B, also resistant to commercially available lubricants and hydraulic oils
Resistance to MEK, xylene, toluene, isopropanol	Yes	Yes	Yes
Mechanics/material			
Material of cable sheath	Special PUR, flame-resistant acc. to VDE 0472 Part 804 Test Type B, Shore A 88 Flame-Retardant UR Style 20963	Special PUR, flame-resistant acc. to VDE 0472 Part 804 Test Type B, Shore A 88 Flame-Retardant UR Style 20963	Special PUR, flame-resistant acc. to VDE 0472 Part 804 Test Type B, Shore A 88 Flame-Retardant UR Style 20963
Dimensions			
Thickness	9 mm	9 mm	9 mm
Scope of supply			
Delivery quantity in pieces	1	1	1
Other			
Merchandise	No	No	No
Manufacturer name	SIEMENS AG	SIEMENS AG	SIEMENS AG
Manufacturer's address	Gleiwitzerstraße 555, 90475 Nuremberg, Germany	Gleiwitzerstraße 555, 90475 Nuremberg, Germany	Gleiwitzerstraße 555, 90475 Nuremberg, Germany
contacting the manufacturer	Email: simatic_hmi_panel_helpdesk.i-ia@siemens.com		

Accessories

Process coupling

Connecting cables

Technical specifications

Article number	6XV1440-4BN10 Conn. cable PN for MOBILE PANELS, 10M	6XV1440-4BN15 Conn. cable PN for MOBILE PANELS, 15M	6XV1440-4BN20 Conn. cable PN for MOBILE PANELS, 20M	6XV1440-4BN25 Conn. cable PN for MOBILE PANELS, 25M
General information				
Product type designation	PN connecting cable	PN connecting cable	PN connecting cable	PN connecting cable
Supply voltage				
Rated value (DC)	24 V	24 V	24 V	24 V
Degree and class of protection				
IP (at the front)	IP65	IP65	IP65	IP65
IP (rear)	IP65	IP65	IP65	IP65
Standards, approvals, certificates				
CE mark	Yes	Yes	Yes	Yes
Ambient conditions				
Ambient temperature during operation				
• min.	0 °C	0 °C	0 °C	0 °C
• max.	55 °C	55 °C	55 °C	55 °C
Relative humidity				
• Operation, max.	85 %	85 %	85 %	85 %
Cables				
Cable length	10 m	15 m	20 m	25 m
smallest bending radius	45 mm	45 mm	45 mm	45 mm
Color of cable sheath	green	green	green	green
Oil resistance of outer sheath	Yes; Hydrolysis-resistant and lubricants and hydraulic oils	oil-resistant acc. to VDE 0472 Part 803/B, also resistant to commercially available		
Resistance to MEK, xylene, toluene, isopropanol	Yes	Yes	Yes	Yes
Mechanics/material				
Material of cable sheath	Special PUR, flame-resistant	acc. to VDE 0472 Part 804 Test Type B, Shore A 88 Flame-Retardant UR Style 20963		
Dimensions				
Thickness	9 mm	9 mm	9 mm	9 mm
Scope of supply				
Delivery quantity in pieces	1	1	1	1
Other				
Merchandise	No	No	No	No
Manufacturer name	SIEMENS AG	SIEMENS AG	SIEMENS AG	SIEMENS AG
Manufacturer's address	Gleiwitzerstraße 555, 90475 Nuremberg, Germany			
contacting the manufacturer	Email: simatic_hmi_panel_helpdesk.i-ia@siemens.com			

Technical specifications

Article number	6AV2181-5AF02-0AX0	6AV2181-5AF05-0AX0	6AV2181-5AF08-0AX0	6AV2181-5AF10-0AX0	6AV2181-5AF15-0AX0	6AV2181-5AF20-0AX0	6AV2181-5AF25-0AX0
	Connecting Cable 2 M KTP Mobile	Connecting Cable 5 M KTP Mobile	Connecting Cable 8 M KTP Mobile	Connecting Cable 10 M KTP Mobile	Connecting Cable 15 M KTP Mobile	Connecting Cable 20 M KTP Mobile	Connecting Cable 25 M KTP Mobile
General information							
Product type designation	Connecting cable	Connecting cable	Connecting cable	Connecting cable	Connecting cable	Connecting cable	Connecting cable
Standards, approvals, certificates							
CE mark	Yes	Yes	Yes	Yes	Yes	Yes	Yes
cULus	Yes	Yes	Yes	Yes	Yes	Yes	Yes
RCM (formerly C-TICK)	Yes	Yes	Yes	Yes	Yes	Yes	Yes
KC approval	Yes	Yes	Yes	Yes	Yes	Yes	Yes
Ambient conditions							
Ambient temperature during operation							
• min.	0 °C	0 °C	0 °C	0 °C	0 °C	0 °C	0 °C
• max.	55 °C	55 °C	55 °C	55 °C	55 °C	55 °C	55 °C
Cables							
Cable length	2 m	5 m	8 m	10 m	15 m	20 m	25 m
Maximum tensile load	300 N	300 N	300 N	300 N	300 N	300 N	300 N
Color of cable sheath							
• green	Yes	Yes	Yes	Yes	Yes	Yes	Yes
Scope of supply							
Delivery quantity in pieces	1	1	1	1	1	1	1
Other							
Merchandise	Yes	Yes	Yes	Yes	Yes	Yes	Yes
Manufacturer name	On request	On request	On request	On request	On request	On request	On request

More information

Note:

Cable pin assignments can be found on the Internet in the Online Help of WinCC flexible and under FAQs.

<http://support.automation.siemens.com>

Photos and product images may differ from the actual product.

Detailed technical specifications, content information, quantities and compatible core products are listed online in the technical specifications of the respective accessory.

Industry Mall:

<https://mall.industry.siemens.com>

If you use the TIA Selection Tool (selection guide) to find your core product, the appropriate accessories are also displayed automatically. This facilitates selection of suitable accessories.

<http://www.siemens.com/tia-selection-tool>

Data sheets and manufacturer declarations are available for downloading in the Online Support area.

<http://support.automation.siemens.com>

Accessories

Process coupling

Connecting cable 830-1T

Overview



- Prefabricated cable for fast and cost-effective connection of PROFIBUS nodes to OLM and OBT
- Flexible PROFIBUS connecting cable

Ordering data

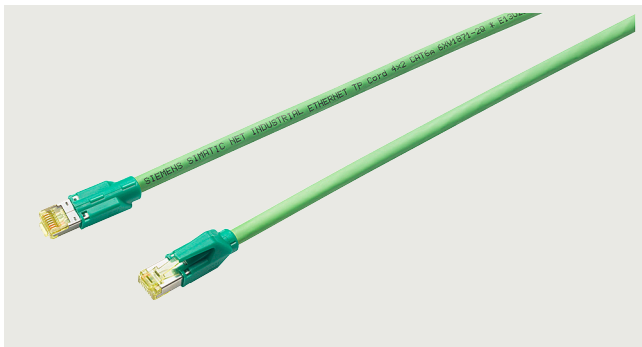
PROFIBUS 830-1T connecting cable

For connecting a data terminal, pre-assembled with two D-sub connectors, 9-pin, terminated at both ends

- 1.5 m long
- 3 m long

Article No.

6XV1830-1CH15
6XV1830-1CH30

Overview


- Patch cable, available fully assembled
- With 4 x 2 cores for 10/100/1 000 Mbps Ethernet
- Small cable diameter
- Cat6_A (4 x 2) of the ISO/IEC 11801 and EN 50173 international cabling standards

Ordering data
**IE TP Cord
RJ45/RJ45**

TP cable 4 x 2 with
2 RJ45 plugs

- 0.3 m
- 0.5 m
- 1 m
- 2 m
- 3 m
- 4 m
- 6 m
- 10 m
- 15 m
- 20 m
- 25 m
- 30 m
- 35 m
- 40 m
- 45 m
- 50 m

Article No.

6XV1870-3QE30
6XV1870-3QE50
6XV1870-3QH10
6XV1870-3QH20
6XV1870-3QH30
6XV1870-3QH40
6XV1870-3QH60
6XV1870-3QN10
6XV1870-3QN15
6XV1870-3QN20
6XV1870-3QN25
6XV1870-3QN30
6XV1870-3QN35
6XV1870-3QN40
6XV1870-3QN45
6XV1870-3QN50

**IE TP XP cord
RJ45/RJ45**

Twisted pair cable 4 x 2 with
2 RJ45 plugs

- 0.5 m
- 1 m
- 2 m
- 6 m
- 10 m

6XV1870-3RE50
6XV1870-3RH10
6XV1870-3RH20
6XV1870-3RH60
6XV1870-3RN10

Article No.
**IE TP Cord
M12-180/RJ45-180**

TP cable 4 x 2 with
1 x RJ45 plugs and
1 x M12 (X-coded)

- 0.5 m
- 1.0 m
- 1.5 m
- 2.0 m
- 3.0 m
- 5.0 m
- 10 m
- 15 m
- 30 m
- 50 m

6XV1878-5TE50
6XV1878-5TH10
6XV1878-5TH15
6XV1878-5TH20
6XV1878-5TH30
6XV1878-5TH50
6XV1878-5TN10
6XV1878-5TN15
6XV1878-5TN30
6XV1878-5TN50

More information
Selection Tool:

The TIA Selection Tool is available to assist you in selecting cabling systems for SIMATIC NET at:

<http://www.siemens.com/tst>

Ordering overview:

You can find more information on the FastConnect range in the ordering overview

<https://support.industry.siemens.com/cs/document/109766358/ordering-overview-cabling-technology-for-communication-networks-in-industry?dti=0&lc=en-DE>

Accessories

Process coupling

RS485 bus connector

Overview



- Used for connecting PROFIBUS nodes to the PROFIBUS bus cable
- Easy installation
- FastConnect plugs ensure extremely short assembly times due to their insulation-displacement technology
- Integrated terminating resistors (not in the case of 6ES7972-0BA30-0XA0)
- Connectors with D-sub sockets permit PG connection without the additional installation of network nodes

Ordering data

Article No.

Article No.

RS485 bus connector with axial cable outlet (180°)

For industrial PC, SIMATIC HMI OP, OLM; max. transfer rate 12 Mbps

6GK1500-0EA02

PROFIBUS FastConnect RS485 bus connector plug 180

With 180° cable outlet, with insulation displacement terminals

6GK1500-0FC10

SIPLUS DP PB RS485 plug with axial cable outlet (180°)

For exposure to environmental substances;
Based-on 6GK1 500-0EA02

6AG1500-0EA02-2AA0

RS485 bus connector with 90° cable outlet

With screw terminals, max. transfer rate 12 Mbps

- Without programming device interface
- With programming device interface

6ES7972-0BA12-0XA0

6ES7972-0BB12-0XA0

SIPLUS DP PB RS485 plug with 90° cable outlet

For extended temperature range -25 ... +60 °C

- Without programming device interface
Based on 6ES7 972-0BA12-0XA0
- With programming device interface
Based on 6ES7 972-0BB12-0XA0

6AG1972-0BA12-2XA0

6AG1972-0BB12-2XA0

RS485 bus connector with angled cable outlet (35°)

With screw terminals, max. transfer rate 12 Mbps

- Without programming device interface
- With programming device interface

6ES7972-0BA42-0XA0

6ES7972-0BB42-0XA0

SIPLUS DP PB RS485 plug with angled cable outlet (35°)

For extended temperature range -25 ... +60 °C

- Without programming device interface
Based on 6ES7 942-0BA42-0XA0
- With programming device interface
Based on 6ES7 942-0BB42-0XA0

6AG1972-0BA42-7XA0

6AG1972-0BB42-7XA0

RS485 bus connector with 30° cable outlet

With screw terminals low-cost variant, max. transfer rate 1.5 Mbps

6ES7972-0BA30-0XA0

PROFIBUS RS485 bus connector with FastConnect technology

PROFIBUS FastConnect RS485 bus connector with 90° cable outlet

With insulation displacement terminals, max. transfer rate 12 Mbps

Without programming device interface

- 1 unit
- 100 units

6ES7972-0BA52-0XA0
6ES7972-0BA52-0XB0

With programming device interface

- 1 unit
- 100 units

6ES7972-0BB52-0XA0
6ES7972-0BB52-0XB0

Without programming device interface, grounding via control cabinet cover

- 1 unit

6ES7972-0BA70-0XA0

With programming device interface, grounding via control cabinet cover

- 1 unit

6ES7972-0BB70-0XA0

PROFIBUS FastConnect RS485 bus connector with angled cable outlet (35°)

With insulation displacement terminals, max. transfer rate 12 Mbps

- Without programming device interface
- With programming device interface

6ES7972-0BA61-0XA0

6ES7972-0BB61-0XA0

PROFIBUS FastConnect RS485 bus connector plug 180

With insulation displacement terminals, with 180° cable outlet, for industrial PC, SIMATIC HMI OP, OLM; max. transfer rate 12 Mbps

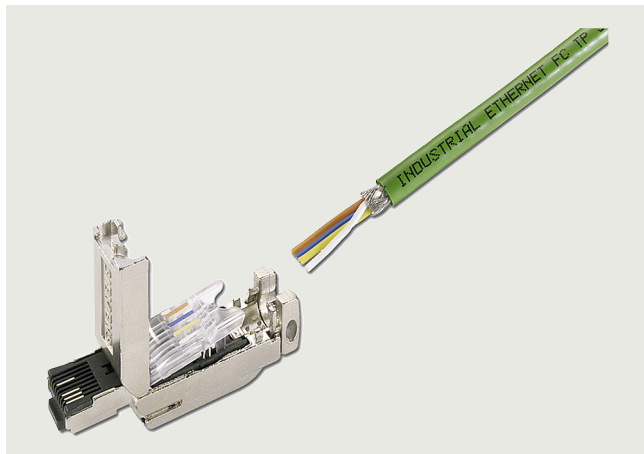
6GK1500-0FC10

SIMATIC S5/S7 connecting cable for PROFIBUS

Pre-assembled with two 9-pin D-sub connectors; max. transfer rate 12 Mbps; 3 m

6ES7901-4BD00-0XA0

Overview



- Implementation of direct device connections of up to 100 m with Industrial Ethernet FC installation cable 2 x 2 without using patch technology
- Easy connection (insulation displacement contacts) for 4-wire Twisted Pair installation cables (100 Mbps) without the need for special tools
- Error-minimizing connection system thanks to visible connection area as well as colored insulation displacement termination
- Industry-compatible design (rugged metal enclosure, no easy-to-lose small parts)
- Good EMC shielding and deflection (metal enclosure)
- Integrated strain relief for installation cables
- Compatible with the EN 50173 (RJ45) / ISO IEC 11801 standard
- Additional strain and bending relief of plug-in connection possible through latching of plug on device enclosure, e.g. with SCALANCE X, SCALANCE S, SCALANCE M, SIMATIC CPs, SIMATIC S7-1500.

Ordering data

Article No.

IE FC RJ45 plugs

RJ45 plug-in connector for Industrial Ethernet with a rugged metal enclosure and integrated insulation displacement contacts for connecting Industrial Ethernet FC installation cables

IE FC RJ45 plug 180

180° cable outlet; for network components and CPs/CPU with Industrial Ethernet interface

- 1 pack = 1 unit
- 1 pack = 10 units
- 1 pack = 50 units

6GK1901-1BB10-2AA0
6GK1901-1BB10-2AB0
6GK1901-1BB10-2AE0

IE FC RJ45 plug 90

90° cable outlet; e.g. for ET 200S

- 1 pack = 1 unit
- 1 pack = 10 units
- 1 pack = 50 units

6GK1901-1BB20-2AA0
6GK1901-1BB20-2AB0
6GK1901-1BB20-2AE0

IE FC RJ45 plug 145

145° cable outlet; e.g. for SIMOTION and SINAMICS

- 1 pack = 1 unit
- 1 pack = 10 units
- 1 pack = 50 units

6GK1901-1BB30-0AA0
6GK1901-1BB30-0AB0
6GK1901-1BB30-0AE0

More information

Selection Tool:

The TIA Selection Tool is available to assist you in selecting cabling systems for SIMATIC NET at:

<http://www.siemens.com/tst>

Ordering overview:

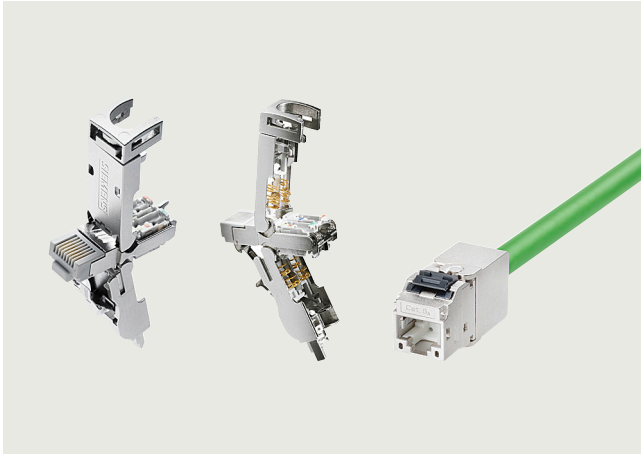
You can find more information on the FastConnect range in the ordering overview
<https://support.industry.siemens.com/cs/document/109766358/ordering-overview-cabling-technology-for-communication-networks-in-industry?dti=0&lc=en-DE>

Accessories

Process coupling

IE FC RJ45 plugs 4 x 2, Cat6a

Overview



- Implementation of direct device connections of up to 100 m using IE FC RJ45 plug 4 x 2 with Industrial Ethernet FC installation cable 4 x 2 without patch technology
- Connection of rack switches (e.g. SCALANCE XR-500) in a 19" cabinet by means of FC installation cables 4 x 2 and patch cable via IE FC keystone RJ45 4 x 2 in 19" racks
- Easy connection (insulation displacement contacts) for 8-core twisted pair installation cables (10/100/1000/10000 Mbps) without the need for special tools
- Error-minimizing connection system thanks to visible connection area as well as color-coded insulation displacement contacts
- Industry-compatible design (rugged metal enclosure, no easy-to-lose small parts)
- Excellent EMC shielding and deflection (metal enclosure)
- Integrated cable grip for installation cables
- Compatible with the EN 50173 (RJ45) / ISO IEC 11801 standard
- Additional strain and bending relief of the plug-in connection possible by latching of the IE FC RJ45 plug 4 x 2 onto the device enclosure, e.g. with SCALANCE X, SCALANCE S, SCALANCE W.

Ordering data

Article No.

IE FC RJ45 plug 4 x 2

RJ45 plug-in connector for Industrial Ethernet (10/100/1000/10000 Mbps, Cat6_A) with a rugged metal enclosure and integrated insulation displacement contacts for connecting Industrial Ethernet FC installation cables; 180° cable outlet; for network components and CPs/CPU's with Industrial Ethernet interface

- 1 pack = 1 unit
- 1 pack = 10 units
- 1 pack = 50 units

6GK1901-1BB12-2AA0
6GK1901-1BB12-2AB0
6GK1901-1BB12-2AE0

IE FC keystone RJ45 4 x 2

RJ45 socket for Industrial Ethernet (10/100/1000/10000 Mbps, Cat 6_A) with a rugged metal enclosure and integrated insulation displacement contacts for connecting Industrial Ethernet FC installation cables; 180° cable outlet; for mounting on DIN rails and 19" racks

- 1 pack = 1 unit

6GK1901-0BE10-0AA0

More information

Selection Tool:

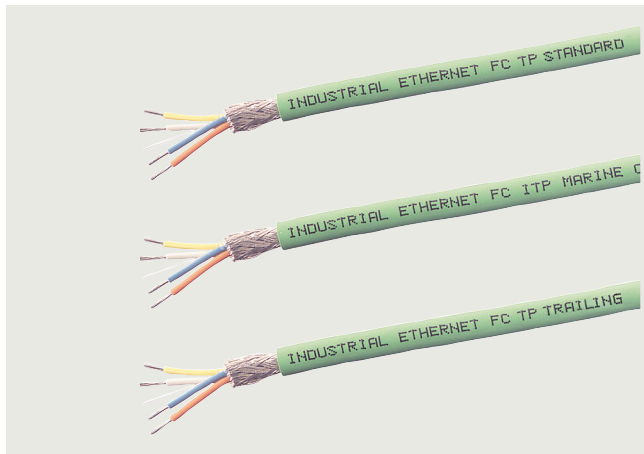
The TIA Selection Tool is available to assist you in selecting cabling systems for SIMATIC NET at:

<http://www.siemens.com/tst>

Ordering overview:

You can find more information on the FastConnect range in the ordering overview
<https://support.industry.siemens.com/cs/document/109766358/ordering-overview-cabling-technology-for-communication-networks-in-industry?dti=0&lc=en-DE>

Overview



- 4-wire FastConnect installation cables for structured Fast Ethernet cabling with special design for fast installation
- Easy stripping with the FastConnect stripping tool; the protective jacket and the braided shield are stripped accurately in one step
- Connection to FastConnect products using insulation displacement
- Exceeds Category 5 (Cat5e) of the international cabling standards ISO/IEC 11801 and EN 50173
- PROFINET-compatible
- UL approval
- Different variants for different application areas (e.g. trailing, food, marine, railways, robots)
- High interference immunity thanks to double shielding
- Easy length measurement thanks to printed meter markings

Ordering data

Article No.

IE FC TP standard cable GP 2 x 2 (type A)

4-core, shielded TP installation cable for connection to IE FC RJ45 outlet/IE FC RJ45/IE FC M12 plug PRO; PROFINET-compatible; with UL approval:

Sold by the meter;
max. delivery unit 1000 m;
minimum order quantity 20 m

Preferred length

- 20 m
- 50 m
- 100 m
- 200 m
- 500 m
- 1000 m

6XV1840-2AH10

6XV1840-2AN20

6XV1840-2AN50

6XV1840-2AT10

6XV1840-2AT20

6XV1840-2AT50

6XV1840-2AU10

IE FC TP robust cable GP 2 x 2 (type A)

4-core, shielded TP installation cable with TPE protective jacket for connection to IE FC RJ45 outlet/IE FC RJ45/IE FC M12 plug PRO; PROFINET-compatible; with UL approval

Sold by the meter;
max. delivery unit 1000 m;
minimum order quantity 20 m

6XV1841-2A

IE FC TP flexible cable GP 2 x 2 (type B)

4-core, shielded TP installation cable for connection to IE FC RJ45 outlet/IE FC RJ45/IE FC M12 plug PRO for occasional movement; PROFINET-compatible; with UL approval:

Sold by the meter;
max. delivery unit 1000 m;
minimum order quantity 20 m

Preferred length

- 1000 m

6XV1870-2B

6XV1870-2BU10

IE FC TP robust flexible cable GP 2 x 2 (type B)

4-core, shielded TP installation cable with TPE protective jacket for connection to IE FC RJ45 outlet/IE FC RJ45/IE FC M12 plug PRO for occasional movement; PROFINET-compatible; with UL approval;

Sold by the meter;
max. delivery unit 1000 m;
minimum order quantity 20 m

6XV1841-2B

IE FC TP FRNC cable GP 2 x 2 (type B)

4-core, shielded, halogen-free TP installation cable for connection to IE FC RJ45 outlet/IE FC RJ45/IE FC M12 plug PRO for occasional movement; PROFINET-compatible; with UL approval;

sold by the meter;
max. delivery unit 1000 m;
minimum order quantity 20 m

6XV1871-2F

IE FC TP trailing cable GP 2 x 2 (type C)

4-core, shielded TP installation cable for connection to IE FC RJ45 outlet/IE FC RJ45/IE FC M12 plug PRO for use in cable carriers; PROFINET-compatible; with UL approval;

sold by the meter;
max. delivery unit 1000 m;
minimum order quantity 20 m

6XV1870-2D

Accessories

Process coupling

IE FC TP cable 2 x 2

Ordering data

Ordering data	Article No.	Ordering data	Article No.
IE FC TP trailing cable 2 x 2 (type C) 4-core, shielded TP installation cable for connection to IE FC RJ45 outlet/IE FC RJ45/IE FC M12 plug PRO for use in cable carriers; PROFINET-compatible; with UL approval; sold by the meter; max. delivery unit 1000 m, minimum order quantity 20 m	6XV1840-3AH10	IE FC TP robust food cable GP 2 x 2 (type B) 4-core, shielded TP installation cable for connection to IE FC RJ45 outlet/IE FC RJ45/IE FC M12 plug PRO for the food and beverages industry (IP69); PROFINET-compatible; with UL approval; sold by the meter; max. delivery unit 1000 m, minimum order quantity 20 m	6XV1881-2A
IE FC TP festoon cable GP 2 x 2 (type B) 4-core, shielded TP installation cable for connection to IE FC RJ45 outlet/IE FC RJ45/IE FC M12 plug PRO for use in festoon applications; PROFINET-compatible; with UL approval; sold by the meter; max. delivery unit 1000 m, minimum order quantity 20 m	6XV1871-2S	IE FC TP marine cable 2 x 2 (type B) 4-core, shielded TP installation cable for connection to IE FC RJ45 outlet/IE FC RJ45/IE FC M12 plug PRO for marine applications; sold by the meter; max. delivery unit 1000 m, minimum order quantity 20 m	6XV1840-4AH10
IE TP torsion cable 2 x 2 (type C) 4-core, shielded TP installation cable for connection to IE FC RJ45 outlet/IE FC RJ45/IE FC M12 plug PRO; PROFINET-compatible; with UL approval; sold by the meter; max. delivery unit 1000 m, minimum order quantity 20 m	6XV1870-2F	IE TP ground cable 2 x 2 (type C) 4-core, shielded TP installation cable for connection to IE FC RJ45 outlet/IE FC RJ45/IE FC M12 plug PRO (additional protective jacket must be removed) for laying in soil; sold by the meter; max. delivery unit 1000 m, minimum order quantity 20 m	6XV1871-2G
IE TP robot cable GP 2 x 2 (type R) 4-core, shielded TP installation cable for connection to IE FC RJ45 outlet/IE FC RJ45/IE FC M12 plug PRO for use with robots; PROFINET-compatible; with UL approval; sold by the meter; max. delivery unit 1000 m, minimum order quantity 20 m	6XV1840-2R	IE TP robust ground cable 4-core, shielded TP installation cable for connection to IE FC RJ45 outlet/IE FC RJ45/IE FC M12 plug PRO (additional protective jacket must be removed) for laying in soil, with metallic rodent protection; sold by the meter; max. delivery unit 1000 m, minimum order quantity 20 m	6XV1871-2N
IE FC TP food cable GP 2 x 2 (type C) 4-core, shielded TP installation cable for connection to IE FC RJ45 outlet/IE FC RJ45/IE FC M12 plug PRO for the food and beverages industry; PROFINET-compatible; sold by the meter; max. delivery unit 1000 m, minimum order quantity 20 m	6XV1871-2L	IE TP train cable 2 x 2 (type C) 4-core, shielded TP installation cable for connection to IE FC RJ45 plug and IE FC M12 plug PRO; sold by the meter; max. delivery unit 1000 m, minimum order quantity 20 m	6XV1871-2T
		IE hybrid cable 2 x 2 + 4 x 0.34 Flexible cable, 4 x Cu Cat5, shielded (0.75 mm) and 4 x Cu (0.34 mm ²) with IE FC modular outlet with power insert and IP67 hybrid plug-in connector; sold by the meter; max. delivery unit 1000 m; minimum order quantity 20 m	6XV1870-2J

More information

Selection Tool:

The TIA Selection Tool is available to assist you in selecting cabling systems for SIMATIC NET at:

<http://www.siemens.com/tst>

Ordering overview:

You can find more information on the FastConnect range in the ordering overview <https://support.industry.siemens.com/cs/document/109766358/ordering-overview-cabling-technology-for-communication-networks-in-industry?dti=0&lc=en-DE>

Overview


- 8-core FastConnect installation cables for cabling system with Gigabit capability (AWG22 and AWG24 variants)
- Easy stripping with the FastConnect stripping tool; the protective jacket and the braided shield are stripped accurately in one step
- Connection to IE FC RJ45 modular outlet (AWG22), IE FC RJ45 plug 4 x 2 (AWG24/AWG26) or IE FC M12 plug PRO 4x2 (X-coded, AWG24/AWG26) using insulation displacement method
- Satisfies Category 6 (Cat6_A) and Category 7 (Cat7) of the international cabling standards ISO/IEC 11801 and EN 50173
- UL approval
- Easy length measurement thanks to printed meter markings

Ordering data
Article No.
IE FC TP standard cable GP 4 x 2

8-core, shielded TP installation cable for universal applications; with UL approval; sold by the meter; max. delivery unit 1000 m, minimum order quantity 20 m

- AWG24, for connection to IE FC RJ45 plug 4 x 2, IE FC M12 plug PRO 4 x 2, IE FC keystone RJ45
- Preferred length 1000 m
- AWG22, for connection to IE FC modular outlet

6XV1878-2A
**6XV1878-2AU10
6XV1870-2E**
IE FC TP flexible cable GP 4 x 2

8-core, shielded TP installation cable for occasional movement; with UL approval; sold by the meter; max. delivery unit 1000 m, minimum order quantity 20 m

- AWG24, for connection to IE FC RJ45 plug 4 x 2, IE FC M12 plug PRO 4 x 2, IE FC keystone RJ45

6XV1878-2B
IE FC TP trailing cable GP 4 x 2

8-core, shielded TP trailing cable; with UL approval; sold by the meter; max. delivery unit 1000 m, minimum order quantity 20 m

- AWG24, for connection to IE FC RJ45 plug 4 x 2, IE FC M12 plug PRO 4 x 2, IE FC keystone RJ45

6XV1878-2C
IE TP ground cable 4 x 2

8-core, shielded TP installation cable for occasional movement; with UL approval; sold by the meter; max. delivery unit 1000 m, minimum order quantity 20 m

- AWG24, for connection to IE FC RJ45 plug 4 x 2, IE FC M12 plug PRO 4 x 2, IE FC Keystone RJ45 (after removing the additional PE protective jacket)

6XV1878-2G
IE TP train cable GP 4 x 2

8-core, shielded TP installation cable for use in trains; Cat7; sold by the meter; max. delivery unit 1000 m, minimum order quantity 20 m

- AWG24, for connection to IE M12 RJ45 plug PRO 4 x 2

6XV1878-2T

Accessories

Process coupling

IE FC TP cable 4 x 2

Ordering data

Article No.

Article No.

IE FC TP FRNC cable GP 4 x 2

8-core, shielded;
halogen-free TP installation cable
for fixed routing in buildings;
sold by the meter;

max. delivery unit 1000 m,
minimum order quantity 20 m

- AWG24,
for connection to IE FC RJ45 plug
4 x 2, IE FC M12 plug PRO 4 x 2,
IE FC keystone RJ45

6XV1878-2F

IE FC TP flexible cable GP 4 x 2

8-core, shielded TP installation
cable for occasional movement;
with UL approval; Cat7;
sold by the meter;

max. delivery unit 1000 m,
minimum order quantity 20 m

- AWG26,
for connection to IE FC RJ45 plug
4 x 2, IE FC M12 plug PRO 4 x 2,
IE FC keystone RJ45

6XV1876-2B

More information

Selection Tool:

The TIA Selection Tool is available to assist you in selecting
cabling systems for SIMATIC NET at:

<http://www.siemens.com/tst>

Ordering overview:

You can find more information on the FastConnect range in the
ordering overview

https://cache.industry.siemens.com/dl/files/358/109766358/att_1093003/v1/IE_cabling-technology_EN_Web.pdf