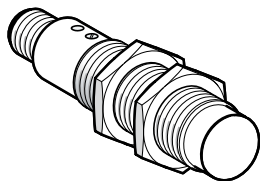


Capacitive proximity sensors

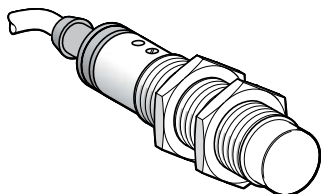
OsiSense XT

Cylindrical, non flush mountable. Plastic case

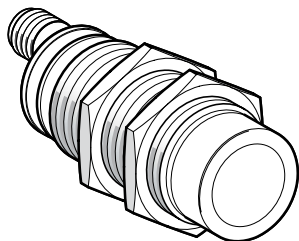
AC or DC supply



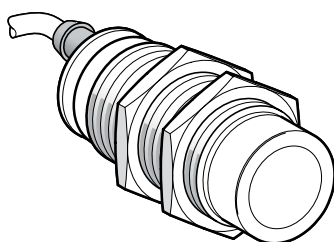
XT2 18A1PCM12



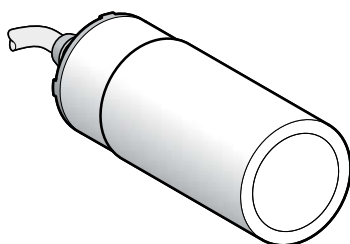
XT2 18A1AL2



XT2 30A1PCM12



XT2 30A1AL2



XT 32A1FAL2



XUZ A118

Ø 18, threaded M18 x 1

Sensing distance (Sn) mm	Function	Output	Connection	Reference	Weight kg
--------------------------	----------	--------	------------	-----------	-----------

Four-wire ≡ 12...24 V

8	NO/NC	PNP	M12 connector	XT2 18A1PCM12	0.060
---	-------	-----	---------------	---------------	-------

Three-wire ≡ 12...24 V

8	NO	PNP	Pre-cabled (L = 2 m)	XT2 18A1PAL2	0.140
		NPN	Pre-cabled (L = 2 m)	XT2 18A1NAL2	0.140

Two-wire ~ 24-240 V

8	NO	–	Pre-cabled (L = 2 m)	XT2 18A1FAL2	0.140
---	----	---	----------------------	--------------	-------

Ø 30, threaded M30 x 1.5

Sensing distance (Sn) mm	Function	Output	Connection	Reference	Weight kg
--------------------------	----------	--------	------------	-----------	-----------

Four-wire ≡ 12...24 V

15	NO/NC	PNP	M12 connector	XT2 30A1PCM12	0.100
----	-------	-----	---------------	---------------	-------

Three-wire ≡ 12...24 V

15	NO	PNP	Pre-cabled (L = 2 m)	XT2 30A1PAL2	0.200
		NPN	Pre-cabled (L = 2 m)	XT2 30A1NAL2	0.200

Two-wire ~ 24-240 V

15	NO	–	Pre-cabled (L = 2 m)	XT2 30A1FAL2	0.200
	NC	–	Pre-cabled (L = 2 m)	XT2 30A1FBL2	0.200

Ø 32, plain (1)

Sensing distance (Sn) mm	Function	Output	Connection	Reference	Weight kg
--------------------------	----------	--------	------------	-----------	-----------

Two-wire ~ 24-240 V

20	NO	–	Pre-cabled (L = 2 m)	XT2 32A1FAL2	0.350
	NC	–	Pre-cabled (L = 2 m)	XT2 32A1FBL2	0.350

(1) Mounting accessory included with sensor.

Accessories for capacitive sensors XT1● and XT2●

Fixing accessories

Description	For use with sensor	Reference	Weight kg
90° fixing bracket	Ø 12	XXZ 12	0.025
	Ø 18	XUZ A118	0.045
	Ø 30	XXZ 30	0.115

Protection accessories

Description	For use with sensor	Reference	Weight kg
Threaded sleeve	Ø 30, threaded M30 x 1.5	XTA Z30	0.035

Fuses (for unprotected 2-wire ~ sensors)

Description	Type	Sold in lots of	Unit reference	Weight kg
Cartridge fuses 5 x 20	0.4 A "quick-blow"	10	XUZ E04	0.001
	0.63 A "quick-blow"	10	XUZ E06	0.001
	0.8 A "quick-blow"	10	XUZ E08	0.001

Fuse terminal block

Description	Sold in lots of	Unit reference	Weight kg
Fuse terminal block for 5 x 20 fuses, grey	50	AB1 FUSE435U5X	0.016

Capacitive proximity sensors

OsiSense XT

Cylindrical, non flush mountable. Plastic case

AC or DC supply

Characteristics

Sensor type		M18			M30			Ø 32	
		XT2 18			XT2 30			XT2 32	
		4-wire ---	3-wire ---	2-wire ~	4-wire ---	3-wire ---	2-wire ~	2-wire ~	
Product certifications		CE							
Conformity to standards		IEC 60947-5-2							
Connection	Pre-cabled, length 2 m	-	•	•	-	•	•	•	
	Connector, M12	•	-	-	•	-	-	-	
Main characteristics									
Nominal sensing distance Sn	Conforming to IEC 60947-5-2	mm	8			15		20	
Assured operating distance Sa	Conforming to IEC 60947-5-2	mm	0...5.8			0...11		0...15	
Adjustment zone		mm	0...12			0...17		0...22	
Repeat accuracy			< 5% Sr						
Differential travel			< 1...20% Sr						
Output characteristics									
Output state indication			Yellow LED						
Switching capacity		mA	2 x 200	200	300	2 x 200	200	300	300
Maximum switching frequency		Hz	30	30	15	50	50	15	15
Protection against short-circuits			•	•	-(1)	•	•	-(1)	-(1)
Voltage drop		V	< 2.5	< 2.5	< 10	< 2.5	< 2.5	< 10	< 10
Residual current, open state		µA	≤ 100	≤ 100	-	≤ 100	≤ 100	-	-
Delays	First-up	ms	< 100	< 100	< 200	< 100	< 100	< 200	< 200
	Response	ms	< 15	< 15	< 30	< 15	< 10	< 30	< 30
	Recovery	ms	< 15	< 15	< 30	< 15	< 10	< 30	< 30
Supply									
Rated supply voltage		V	--- 12...24		~ 24...240 50/60 Hz	--- 12...24		~ 24...240 50/60 Hz	~ 24...240 50/60 Hz
Voltage limits (including ripple)		V	--- 10...30		~ 20...265	--- 10...30		~ 20...265	~ 20...265
Current consumption, no-load	24 V	mA	< 25	< 15	-	< 25	< 15	-	-
	240 V	mA	-	-	< 4	-	-	< 4	< 4
Protection against reverse polarity			Yes	Yes	-	Yes	Yes	-	-
Environment									
Materials	Case		Plastic						
	Cable		PVC						
	Number and c.s.a. of wires		-	3 x 0.34 mm ²	2 x 0.5 mm ²	-	3 x 0.34 mm ²	2 x 0.5 mm ²	2 x 0.5 mm ²
Degree of protection	Conforming to IEC 60529		IP 67, double insulation ☐						
Storage and operating temperature		°C	- 10...+ 60						
Vibration resistance	Conforming to IEC 60068-2-6		10 gn, ± 1 mm (f = 10...55 Hz)						
Shock resistance	Conforming to IEC 60068-2-27		30 gn, 11 ms						
Resistance to electromagnetic interference									
Electrostatic discharges	Conforming to IEC 61000-4-2	kV	8 (air) / 4 (contact)						
Radiated electromagnetic fields	Conforming to IEC 61000-4-3	V/m	3						
Fast transients	Conforming to IEC 61000-4-4	kV	2						

(1) These sensors do not incorporate overload or short-circuit protection and therefore, it is essential to connect a "quick-blow" fuse in series with the load (see page 4/12).

Capacitive proximity sensors

OsiSense XT

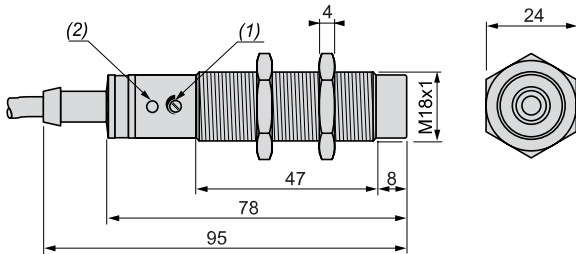
Cylindrical, non flush mountable. Plastic case

AC or DC supply

Dimensions

M18, pre-cabled

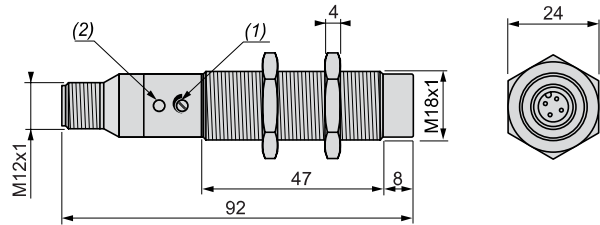
XT2 18A1●●L2



(1) Adjustment potentiometer
(2) LED

M18, M12 connector

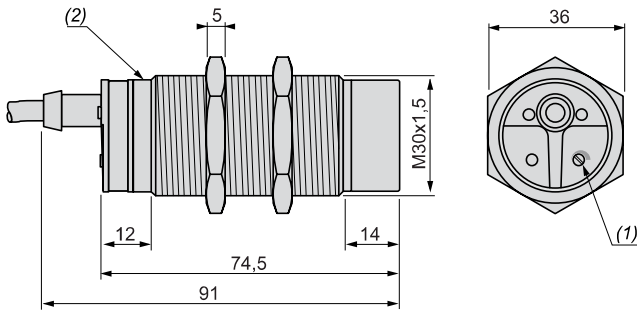
XT2 18A1PCM12



(1) Adjustment potentiometer
(2) LED

M30, pre-cabled

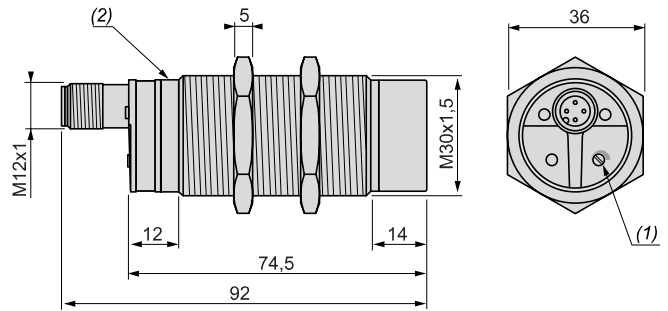
XT2 30A1●●L2



(1) Adjustment potentiometer
(2) LED

M30, M12 connector

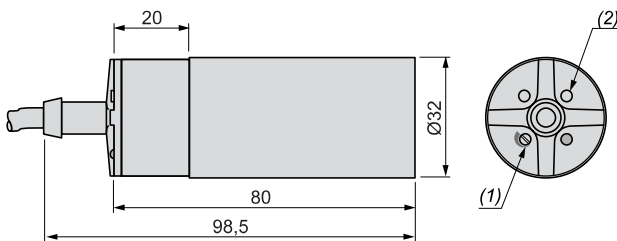
XT2 30A1PCM12



(1) Adjustment potentiometer
(2) LED

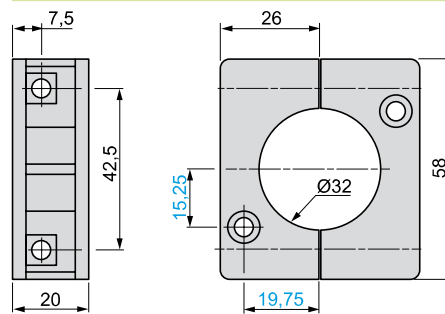
Ø 32, plain, pre-cabled

XT2 32A1F●L2



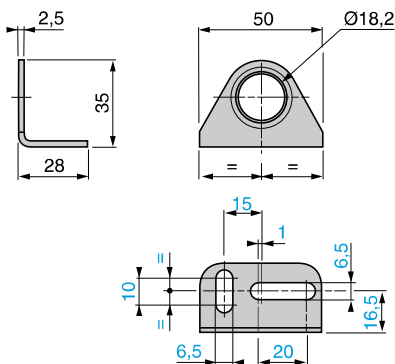
(1) Adjustment potentiometer
(2) LED

Mounting accessory (included with sensor XT2 32A1F●L2)

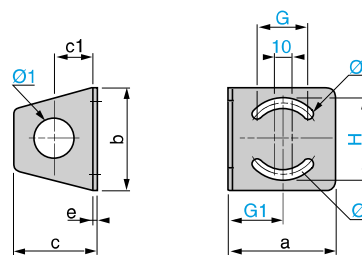


Accessories

XUZ A118



XXZ 12, XXZ 30



XXZ	a	b	c	c1	e	H	G	G1	Ø	Ø1
12	35	40	33	18	2	31	18	18	25	13
30	67	65	52	25	3	51	35	33	50	31

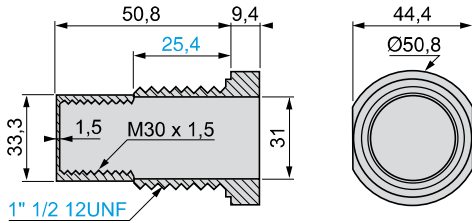
Capacitive proximity sensors

OsiSense XT

Cylindrical, non flush mountable. Plastic case
AC or DC supply

Dimensions (continued)

XTA Z30



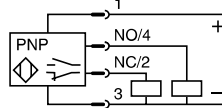
Wiring schemes

Connector version

M12 connector

4-wire ~, PNP
NO + NC output, M12

XT2 18/30●●●●M12

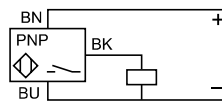


Pre-cabled version

Cable

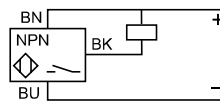
3-wire ~, PNP
NO output

XT2 18/30A1PAL2



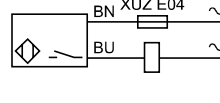
3-wire ~, NPN
NO output

XT2 18/30A1NAL2



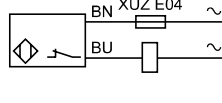
2-wire ~
NO output

XT2 18/30/32A1FAL2



2-wire ~
NC output

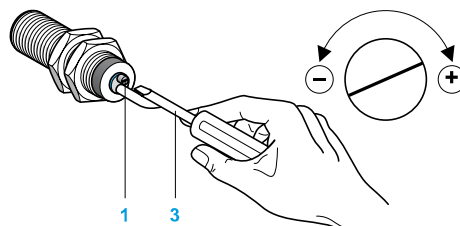
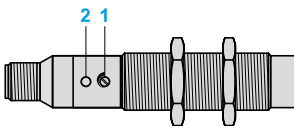
XT2 30/32A1FBL2



BU: Blue
BN: Brown
BK: Black
WH: White

Adjustment

Sensitivity adjustment



- 1 Adjustment potentiometer
- 2 LED
- 3 Adjustment using suitable screwdriver (included with sensor)

Adjustment from the side for XT2 18A1

Adjustment from the rear for XT2 30A1
XT2 32A1

Setting-up

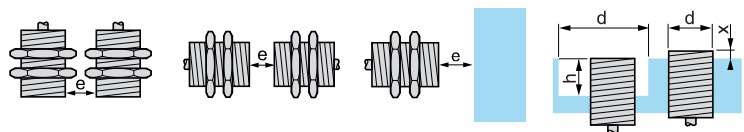
Minimum mounting distances (mm)

Side by side

Face to face

Facing a metal
object

Mounted in support



XT2 M18 non flush mountable

$e \geq 40$

$e \geq 6$ Sn

$e \geq 3$ Sn

$d \geq 60$

$h \geq 20$

XT2 M30 non flush mountable

$e \geq 60$

$e \geq 6$ Sn

$e \geq 3$ Sn

$d \geq 90$

$h \geq 30$

XT2 Ø 32 non flush mountable

$e \geq 65$

$e \geq 6$ Sn

$e \geq 3$ Sn

$d \geq 100$

$h \geq 30$

Fixing nut tightening torque: XT2 18: 3 N.m, XT2 30: 8 N.m