

# tend ENCLOSED SWITCH

TZ-6

Long Service Life and Large Breaking Capacity

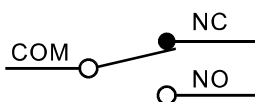


## FEATURES

- Models TZ-6 incorporate Model TM Micro Switches with rugged die cast cases.
- Available with various types of built-in switches (including split contact type ,maintained operation type , magnetic blowout type ) and various actuators.
- Degree of Protection: IEC IP 65

## SPECIFICATIONS

- CHARACTERISTICS  
THE SAME AS MICRO SWITCH  
SEE P. TB 1
- CONTACT CONFIGURATION



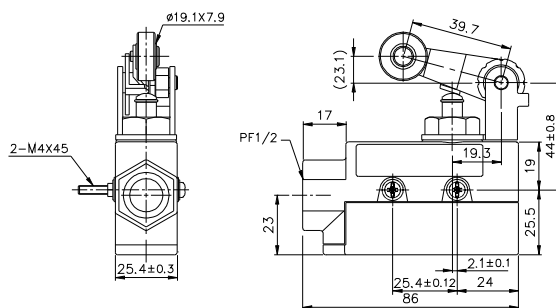
## OPERATING CHARACTERISTICS

Type	TZ-6001	TZ-6002	TZ-6003	TZ-6004	TZ-6043
OF max.	350g	350g		570g	570g
RF min.	114g	114g		170g	170g
PT max.	0.4mm	0.5mm		4mm	4mm
OT min.	5.5mm	3.6mm		6mm	6mm
MD max.	0.05mm	0.05mm		0.4mm	0.4mm
OP	38.2±0.8mm	49.7±1mm			

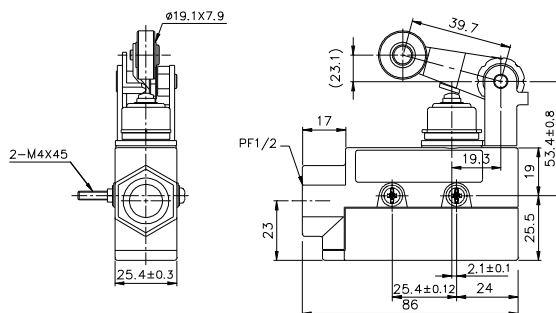
Type	TZ-6101	TZ-6102	TZ-6103	TZ-6104	TZ-6143
OF max.	800g	500g		640g	640g
RF min.	240g	100g		230g	230g
PT max.	2mm	1mm		5mm	5mm
OT min.	5mm	3.5mm		6mm	6mm
MD max.	0.1mm	0.12mm		0.4mm	0.4mm
OP	45.8±0.8mm	49.7±0.8mm			—

## DIMENSIONS

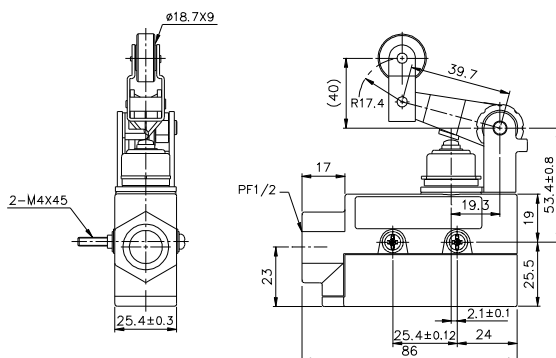
TZ-6004



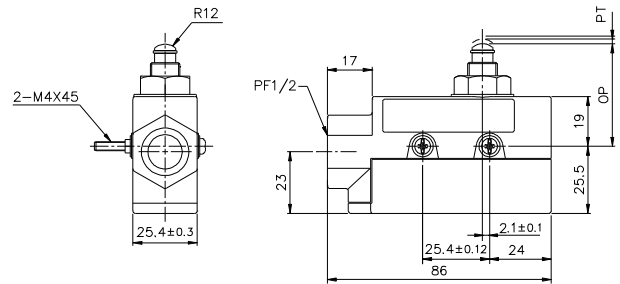
TZ-6104



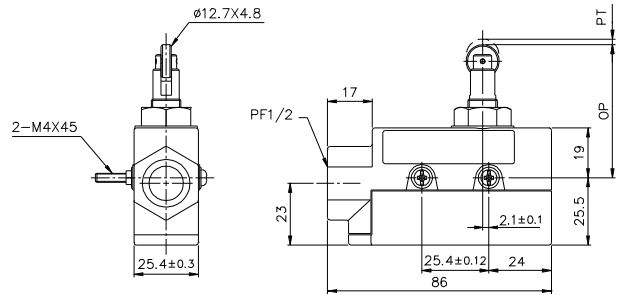
TZ-6143



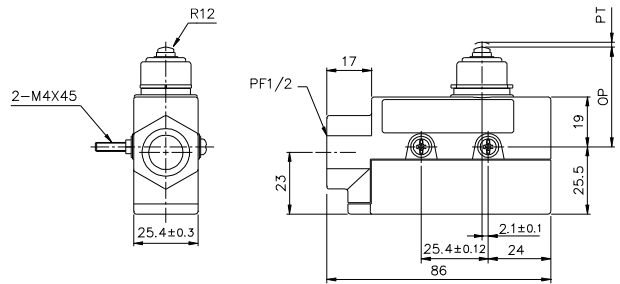
TZ-6001



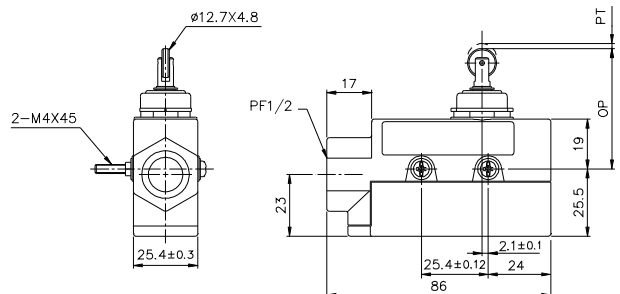
TZ-6002



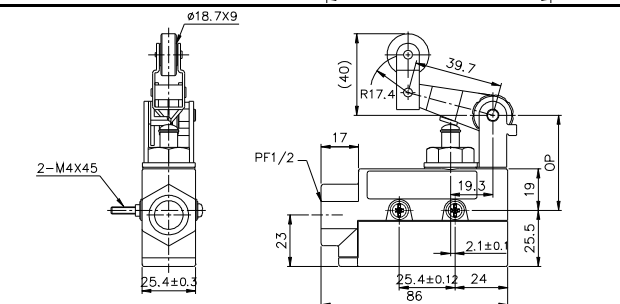
TZ-6101



TZ-6102



TZ-6043



TZ-6106

