

FEATURES

- This switch is made out of ABS housing. Suitable for out-door use.
- This switch can control three phases motor directly. No need to use magnetic switch. Easy wiring.
- Unique mechanical interlock design, which can help prevent short-circuit.

CHARACTERISTICS

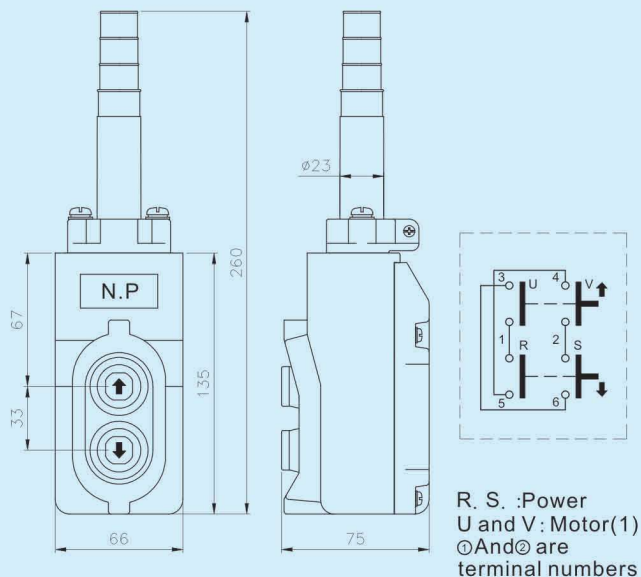
Type	Label	Button	SPEC	External Diameter of Cable	Terminal	Remarks	
Direct Operation	THS-213	None	2 (1 Set)	Single 100/110VAC 0.75KW Phase 200/220VAC 1.5KW	Ø13.3~Ø16.5	M3.5	Control Motor Directly
	THS-213L						
	THS-21	A	2 (1 Set)	Three 200/220VAC Phase 400/440VAC 2.2KW	Ø11.3~Ø13.5		
	THS-22		4 (2 Sets)		Ø13.3~Ø16.5		
	THS-23	E	6 (3 Sets)	Ø16.3~Ø19.5			

Note:None : Represents Chinese sticker , A:Represents the arrow sticker , E:Represents English sticker , see page J10 ◦

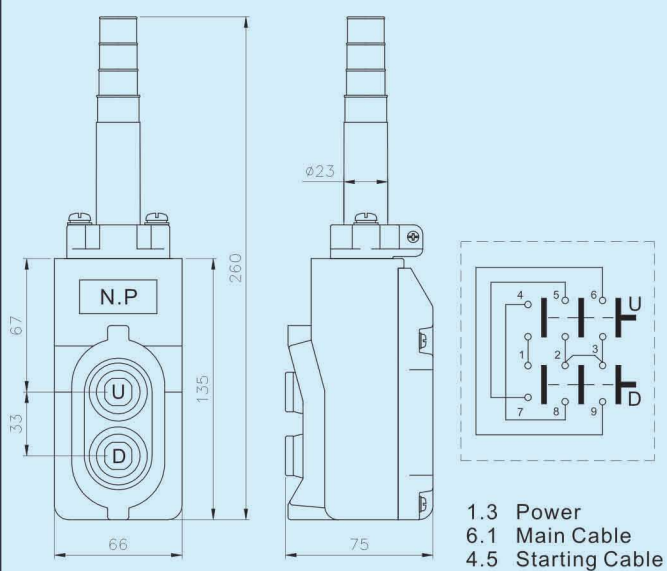


DIMENSIONS AND WIRING DRAWING

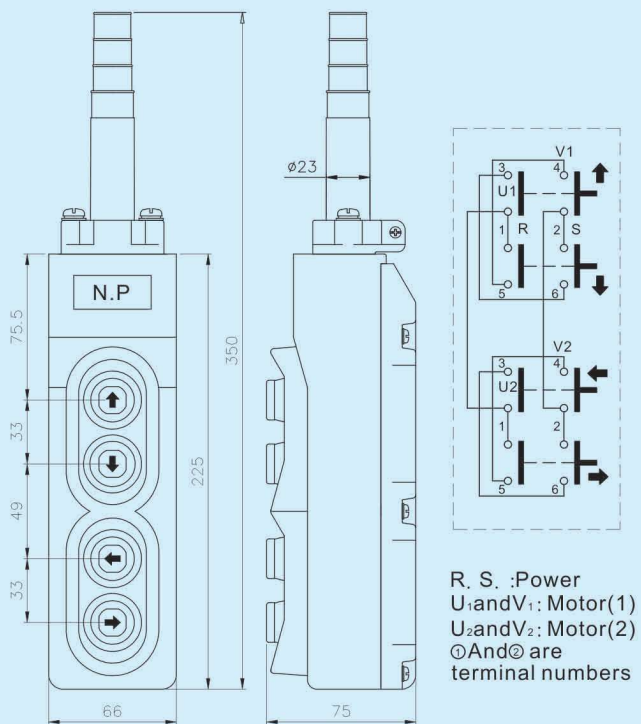
THS-21



THS-213



THS-22



THS-23

