

## SR2MOD01

modem interface - analog PSTN - for communication interface SR2COM01



### Main

Range of product	Zelio Logic Modicon M221 Modicon M241 Modicon M251
Product or component type	Analogue PSTN modem
Type of modem	SIXNET VT-MODEM-5-WW
Data backed up	Flash memory

### Complementary

Kit composition	1 telephone cable Analogue PSTN modem
Function available	Send alarm/receive instruction Send alarm to e-mail address Transfer program Update firmware monitoring
Number of messages	<= 28
Electrical data recording	Date and time Discrete and digital value Telephone/e-mail
[Us] rated supply voltage	12...24 V DC
Supply voltage limits	10...30 V
Supply current	<= 9600 mA 70 mA at 24 V 140 mA at 12 V
Power dissipation in W	1.7 W
Electrical connection	1 cable Com-M specific to Zelio RS232 serial, specific Zelio communication protocol for link with the modem, AT commands 1 cable Com-Z specific to Zelio, specific Zelio communication protocol for Zelio Logic smart relays SR.B..... and SR2 E..... Version (>= V3.1) Telephone cable
Cable length	2 m
Insulation	1780 V optocoupler, connector type: Com-Z specific to Zelio By the cable SR2 CBL07, connector type: Com-M specific to Zelio
Connections - terminals	Screw terminals, 1 x 0.25...1 x 2.5 mm <sup>2</sup> , AWG 24...AWG 14, semi-solid cable Screw terminals, 1 x 0.25...1 x 2.5 mm <sup>2</sup> , AWG 24...AWG 14, solid cable Screw terminals, 2 x 0.25...2 x 1.5 mm <sup>2</sup> , AWG 23...AWG 16, solid cable Screw terminals, 1 x 0.25...1 x 2.5 mm <sup>2</sup> , AWG 24...AWG 14, flexible cable with cable end Screw terminals, 2 x 0.25...2 x 0.75 mm <sup>2</sup> , AWG 24...AWG 18, flexible cable with cable end
Tightening torque	0.5 N.m
Product weight	0.265 kg

### Environment

product certifications	ACA TS AS/NZS CSA C-Tick CTR21 FCC part 15 standard GOST UL
standards	EN/IEC 60068-2-27 Ea EN/IEC 60068-2-6 Fc

The information provided in this documentation contains general descriptions and/or technical characteristics of the performance of the products contained herein. This documentation is not intended as a substitute for and is not to be used for determining suitability or reliability of these products for specific user applications. It is the duty of any such user or integrator to perform the appropriate and complete risk analysis, evaluation and testing of the products with respect to the relevant specific application or use thereof. Neither Schneider Electric Industries SAS nor any of its affiliates or subsidiaries shall be responsible or liable for misuse of the information contained herein.

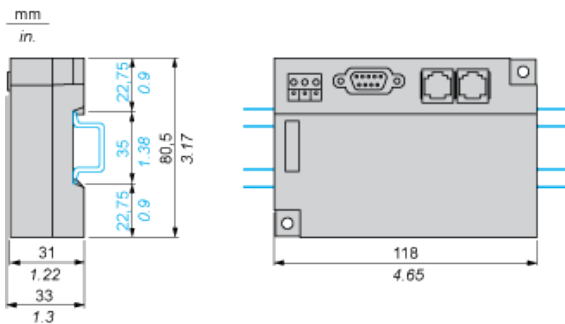
electromagnetic compatibility	Conducted and radiated emissions, class B group 1 conforming to EN 55022-11
IP degree of protection	IP20 (terminal block) conforming to IEC 60529 IP40 (front panel) conforming to IEC 60529
environmental characteristic	EMC directive conforming to EN/IEC 61000-6-2 EMC directive conforming to EN/IEC 61000-6-3 EMC directive conforming to EN/IEC 61000-6-4 EMC directive conforming to EN/IEC 61131-2 zone B Low voltage directive conforming to EN/IEC 61131-2
pollution degree	2 conforming to EN/IEC 61131-2
ambient air temperature for operation	-30...70 °C
ambient air temperature for storage	-40...85 °C
operating altitude	2000 m
altitude transport	<= 3048 m
relative humidity	5...95 % without condensation

### Contractual warranty

Warranty period	18 months
-----------------	-----------

## Analogue PSTN Modem

### Rail Mounting



### Screw Fixing

