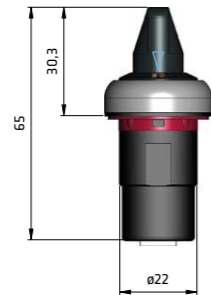


POTENTIOMETERS

- Full Potentiometer enclosed in a single block standard 22 mm diameter, plug & play, ready to be fixed on an electrical panel.
- The potentiometer is provided in different versions depending on the ohmic resistance required with a 3-poles terminal board with an easy push-in type spring-operated connection. This technology allows a very handy quick wiring procedure, since the wire just needs to be inserted into the appropriate hole in order to be secured and to establish the electrical connection.



Marking



BLACK LINE	NICKEL LINE
PPPTNBL1K	PPPTNNL1K
PPPTNBL2K5	PPPTNNL2K5
PPPTNBL5K	PPPTNNL5K
PPPTNBL10K	PPPTNNL10K
PPPTNBL50K	PPPTNNL50K
PPPTNBL100K	PPPTNNL100K
PPPTNBL500K	PPPTNNL500K

TECHNICAL DATA

Protection class	IP67 (IEC 60529) IP69K (ISO 20653)
Ambient temperature	-40°C +90°C
Mechanical endurance	75000 operations cycles
Resistance range	Linear 1kΩ k to 0.5MΩ
Tolerance	Linear: 10%
Linearity (typical)	± 5 % independent
End resistance	4Ω maximum each end
Power rating	0.5 W at 70°C - 0 W at 120°C
Effective rotation	270° ± 10° without rotary switch 240° ± 10° with rotary switch
Contact resistance variation	1,5% of total resistance - 3% of total resistance
Max continuous working voltage	350 VAC across end terminals, but within power rating
Electrical scheme	
Ohmic resistance	001K 1000 Ω 02K5 2500 Ω 005K 5000 Ω 010K 10,000 Ω 050K 50,000 Ω 100K 100,000 Ω 500K 500,000 Ω
Standard reference	IEC 60947-1, IEC 60947-5-1, IEC 60204-1, EN 60947-1, EN 60947-5-1, EN 60204-1
Directive reference	Low voltage directive 2006/95/EC, Machinery directive 2006/42/EC and EMC directive 2004/108/EC.

DOUBLE SOCKETS

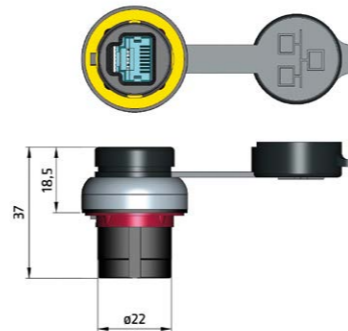
RJ45 DOUBLE SOCKET

- RJ45 connector in a standard 22 mm diameter block "plug & play".
- It makes possible to bring the Ethernet networks through an electrical panel without opening it.
- The protection rubber cap integrated remains joined to the device to avoid being lost and prevents any water or dirt from penetrating inside.



BLACK LINE	NICKEL LINE
PP2RJ45BL	PP2RJ45NL

Marking



TECHNICAL DATA

Connection	RJ45
Protection degree	IP67 (IEC 60529)
Ambient temperature	-25°C +75°C
Standard reference	IEC 60947-1, IEC 60947-5-1, IEC 60204-1, EN 60947-1, EN 60947-5-1, EN 60204-1
Directive reference	Low voltage directive 2006/95/EC, Machinery directive 2006/42/EC and EMC directive 2004/108/EC.

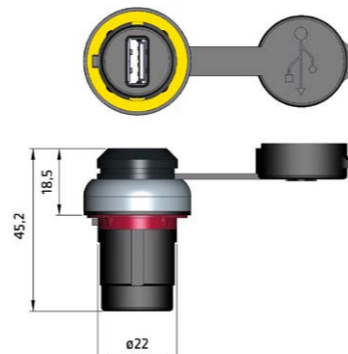
USB 2.0 & 3.0 DOUBLE SOCKETS

- USB socket in a standard 22 mm diameter block "plug & play".
- It makes possible to transfer data and electricity through an electrical panel without opening it.
- The protection rubber cap integrated remains joined to the device to avoid being lost and prevents any water or dirt from penetrating inside.



BLACK LINE	NICKEL LINE
PP2USB20BL	PP2USB20NL
PP2USB30BL	PP2USB30NL

Marking



TECHNICAL DATA

Connection	USB 2.0 - USB 3.0
Protection degree	IP67 (IEC 60529)
Ambient temperature	-25°C +75°C
Standard reference	IEC 60947-1, IEC 60947-5-1, IEC 60204-1, EN 60947-1, EN 60947-5-1, EN 60204-1
Directive reference	Low voltage directive 2006/95/EC, Machinery directive 2006/42/EC and EMC directive 2004/108/EC.

USB 2.0

The USB 2.0 socket takes advantage of the standard data transfer speed. It's the most frequently used on the market and furthermore this option offers the best value for money.

USB 3.0

The USB 3.0 is the latest generation of data transfer on the market. This solution offers the maximum data transfer speed and the socket is backward compatible with previous USB connectors.