

# Steel wall-mounting enclosures

PE600199



---

<b>Spacial CRN Steel wall-mounting enclosures</b>	<b>58</b>
Introduction	62
Selection guide	70
Accessories	74
Cable management	85

# Spacial CRN and CRNG wall-mounting steel enclosures suitable for any application

## Time Lasting

- Industrial welding process.
- Epoxy-polyester painting.
- Foamed-in polyurethane gasket.

All of the above guarantees quality, water and dust tightness for years.

## Water and Dust Tightness

Front folded gutter prevents the entry of water, oil or liquids, ensuring IP66 protection.

## Safety

For people:

- Two welded M6 x 15 earth studs welded to the back and one M6 x 15 stud on the door.

For your installation:

- Water and dust tightness IP66.
- Ruggedness IK10 to protect your component from external impact
- Hidden hinges to prevent the removal of the door.



## Convenient

- Large embedded cable-entry plate with a neoprene seal, flush with the back of the enclosure.
- Direct fixing or using the brackets fixed from outside.

## Smart

Welded door-reinforcement profile allowing the fixing of equipment in models from 500 mm high.

## Practical

4 welded M8 x 15 back studs shouldered 10 mm for direct installation of mounting plate.

## Sealed

Glazed tempered-glass door and fully water and dust tight, maintaining IP 66 and IK 08 protection.



## New aesthetics

- Enclosure in light grey RAL 7035
- Black lock to fit all your applications.



> **Composition**

> **Cable installation and management**

① Wall fixing

⑤ Installation

② Floor-standing

⑥ Cable entries

③ Roof

⑦ Cable management

④ Viewing

⑧ Thermal management

⑨ Earthing

PE500371



Configured

Save time by having your accessories mounted in the factory!  
To find out more about our Configured offer, please contact us.

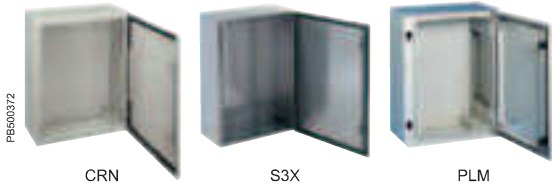
### The universal offer

# 3 Material Solutions

Steel

Stainless-steel

Plastic & Polyester



**You need an enclosure for indoor non-clean industrial environment.**

• **Our answer:**  
The Spacial steel range.

**You need an enclosure for demanding industrial environment.**

• **Our answer:**  
The Spacial stainless-steel range.

**You need an enclosure for infrastructure and harsh industrial environments.**

• **Our answer:**  
The Thalassa polyester range.

### Spacial CRN

- A complete offer with 39 dimensions from 200 x 200 x 150 to 1000 x 800 x 300:
  - With plain door, without plain mounting plate.
  - With plain door and plain mounting plate.
  - With glazed door, without plain mounting plate.
- Degree of protection IP 66.
- Compliance with standard IEC 62208.
- A wide range of accessories to fit to all your applications.

Steel

### Spacial CRNG

- A complete three-point locking system offer with 17 dimensions from 800 x 600 x 400 to 1400 x 1000 x 300 (mm):
  - With plain door without chassis.
  - With glazed door, without plain chassis.
- Degree of protection IP 66 (IP 55 for 2-door enclosures).
- Compliance with standard IEC 62208.
- A wide range of accessories to fit to all your applications.



For harsh atmospheres

### Enclosures adapted to your needs

At your request Spacial CRN enclosures are delivered with

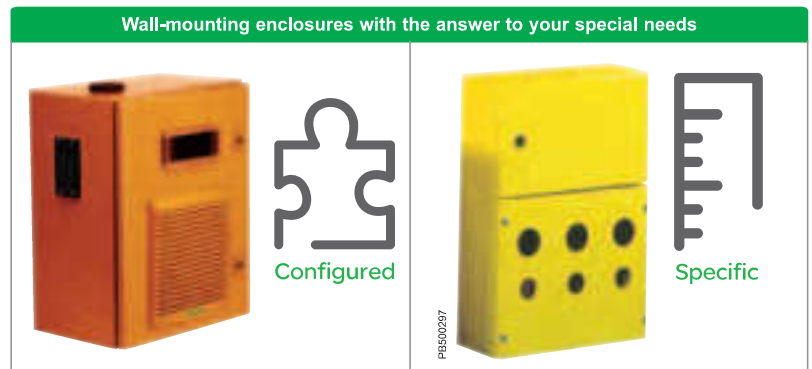
- Colour of your choice.
- Customised dimensions.
- Pre-mounted accessories.
- Machining.
- Addition or removal of components.
- Special finishes (zinc chromate, plating, etc.).

### Our offer includes

- Wall-mounting enclosures with a high-performance service.
- Time saving allows you to focus on your cabling, we take care of cut-outs and the mounting of accessories.
- Simple: one order, one delivery.
- Optimised management and material reception.
- Quality cut-outs.



Get a RAL 7032 enclosure thanks to our configured offer!



### Discover our communication tools to define your customised product



Download our DXF diagrams from our website.



# Spacial steel enclosure applicative offer

## Introduction

### Spacial S3DB

- 10 dimensions with a depth of 150 mm and plain door.
- Ready to be equipped with a ladder mounting plate and a symmetrical DIN rail (to be ordered separately).
- IP 66.



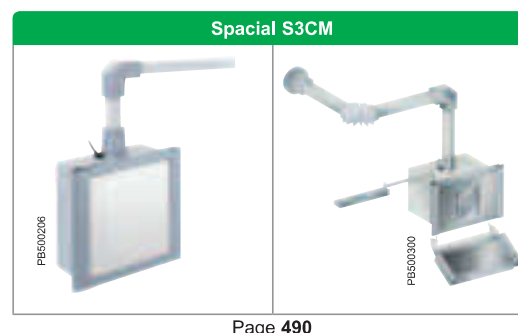
### Spacial S3DM

- 8 dimensions with a depth of 150 mm and glazed door (plain door can be ordered separately).
- Ready for being equipped with a modular mounting plate (to be ordered separately).
- 10 references of mounting plates with 24 to 240 modules.
- Earth connection to be ordered separately.
- Top and bottom cable-gland plates.
- IP 66.



### Spacial S3CM

- 8 dimensions for the control enclosures.
- 1 keyboard box.
- 1 system of arms and fixed or rotating joints, support and lighting accessories.
- IP 54.



# Spacial steel enclosure applicative offer

## Introduction

### Enclosure equipped with Spacial VDM 19" uprights

- 5 enclosures with fixed rack from 5 to 17 U.
- 5 enclosures with swing rack from 4 to 16 U.
- Ten 2-body enclosures, depths 400 and 500 mm.
- IP 66.



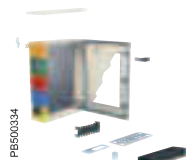
### The universal offer

# 3 Material Solutions

- Steel
- Stainless-steel
- Plastic Polyester



See also the accessories



Accessories selector page 74



# Wall-mounting steel enclosures

## Introduction



### Technical characteristics

- 39 dimensions for this metal monobloc construction suite of enclosures with sides made from a single folded section. Back piece joined to the sides using a special profile forming a protected sealed area. Both externally and internally painted with texturised RAL 7035 grey epoxy-polyester resin.
- Given their strength, metal enclosures are particularly well suited to indoor areas where they may experience impacts.
- Selection guide: Page 70.
- Outdoor installation: compliant with IEC 62208 regarding type tests specified in §9.12 (resistance to ultra-violet (UV) radiation) and §9.13 (resistance to corrosion). It is always advisable to install a canopy to avoid water stagnation on the upper part of the enclosure.

### Description

- IP 66 for one-door enclosures according to IEC 60529.
- IK 10 for plain door according to IEC 62262.
- IK 08 for glazed door according to IEC 62262.

### Body

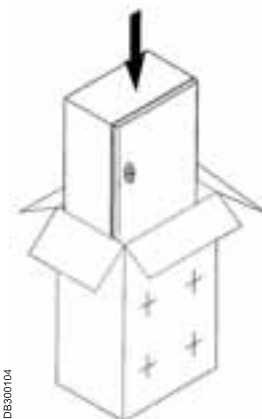
- 4 holes for direct fixing.
- Wall-fixing drill holes sealed with plastic plugs to ensure the degree of protection (supplied as standard).
- Wall-fixing bracket fixed from outside (brackets to be ordered separately).
- Direct cable entry.
- Built-in cable-entry plate, flush with the back of the enclosure (without foamed-in gasket to facilitate machining).
- Insulated cable entries with knock-outs, available as an accessory.
- Easy to equip with 4 welded back studs shouldered 10 mm.

### Door

- Monobloc construction with a punched metal door (not welded).
- 3-mm standard double-bar lock as standard. See page 83 (Wide choice of inserts as accessories).
- Foamed-in polyurethane gasket on the doors to guarantee water and dust tightness for many years.
- Easily reversible door, fixed with two or three invisible hinges allowing the door to open to 120°.
- Reinforcement on plain doors with welded perforated door profiles for equipment fixing from models NSYCRN54150.
- Metal hinges - Easily reversible door.
- Welded earth studs on door and body.
- Delivered with a reusable packaging and technical instructions.

### Certificates

- Compliance with European enclosure standard 62208.
- UL, CUL.
- NEMA 4 for single-door enclosure according to NEMA 250.
- NEMA 12, 12K and 13 for double-door enclosure according to NEMA 250.
- RoHS compliance.



Delivered in reusable and ecological packaging. Technical instruction sheet included.

A Enclosure height  
 B Enclosure width  
 C Enclosure depth

Fig. 1

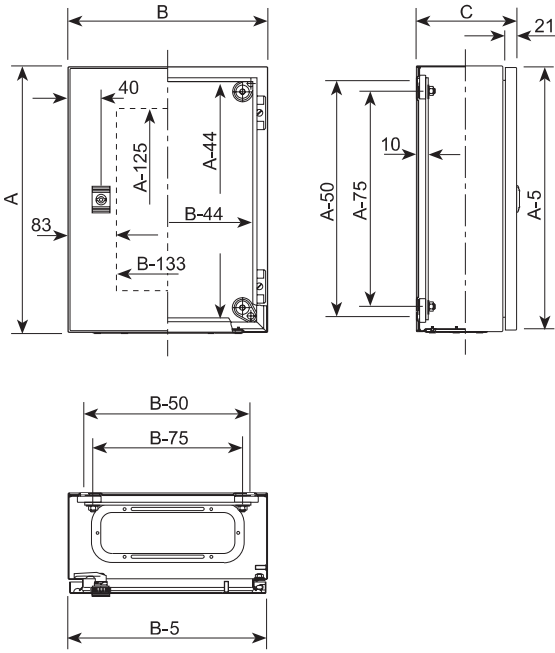
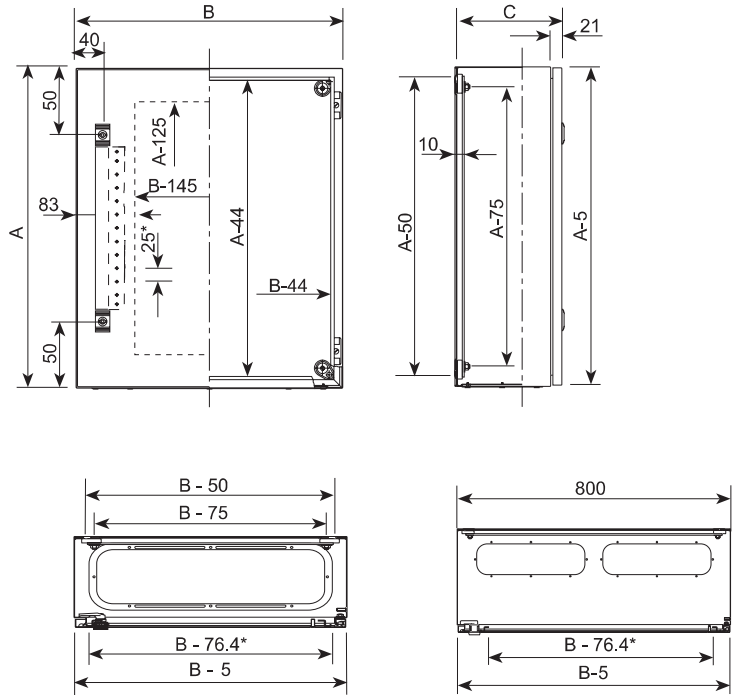


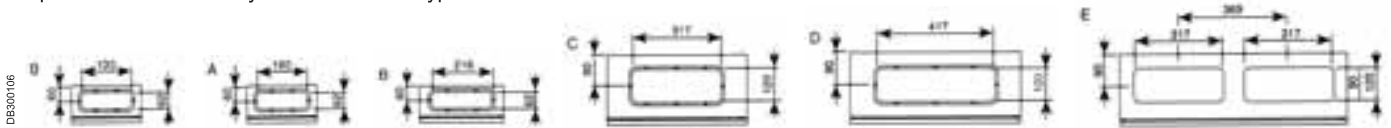
Fig. 2



Width < 800

Width ≥ 800

Spacial CRN cable entry dimensions and type:



None of the T glazed-door enclosures have door-reinforcement profiles.



Our DXF diagrams and technical instruction sheets can be downloaded from our websites.

# Wall-mounting steel enclosures with three-point locking system

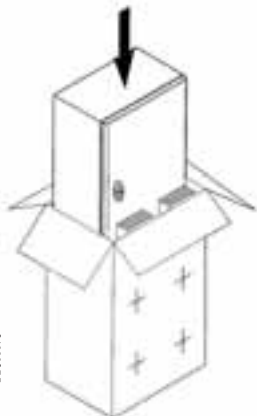
## Introduction



FB500373



PB500380



DB300073

Delivered in reusable and ecological packaging. Technical instruction sheet included.

### Technical characteristics

- 15 dimensions with three-point locking system for this metal construction suite of enclosures made from a single cross-shaped folded section. Both externally and internally painted with texturised RAL 7035 grey epoxy-polyester resin. All Spacial CRNG models include a three-point locking system.
- Given their strength, metal enclosures are particularly well suited to indoor areas where they may experience impacts.
- Selection guide: page 70.

### Description

- IP 66 for one-door enclosures, IP55 for two-door enclosures according to IEC 60529.
- IK 10 for plain door according to IEC 62262.
- IK 08 for glazed door according to IEC 62262.

### Body

- 4 holes for direct fixing.
- Wall-fixing drill holes sealed with plastic plugs to ensure water and dust tightness (supplied as standard).
- Wall-fixing bracket fixed from outside, specific for large dimensions (to be ordered separately). See on page 76.
- Built-in cable-entry plate, flush with the back of the enclosure (without foamed-in gasket to facilitate machining).
- Easy to equip with 4 welded back studs shouldered 10 mm (6 for widths of 1000 and 1200).
- Welded earth studs on door and body.

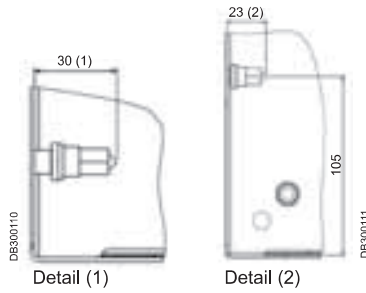
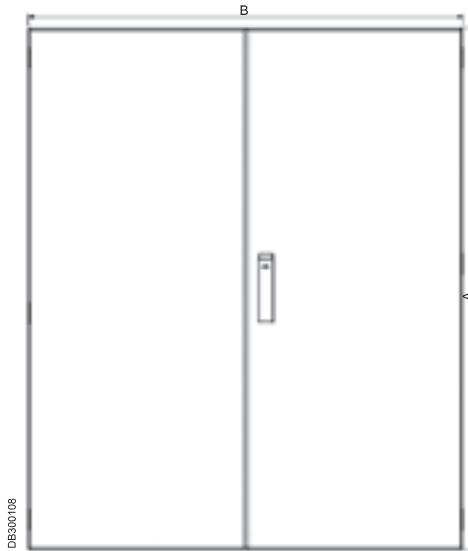
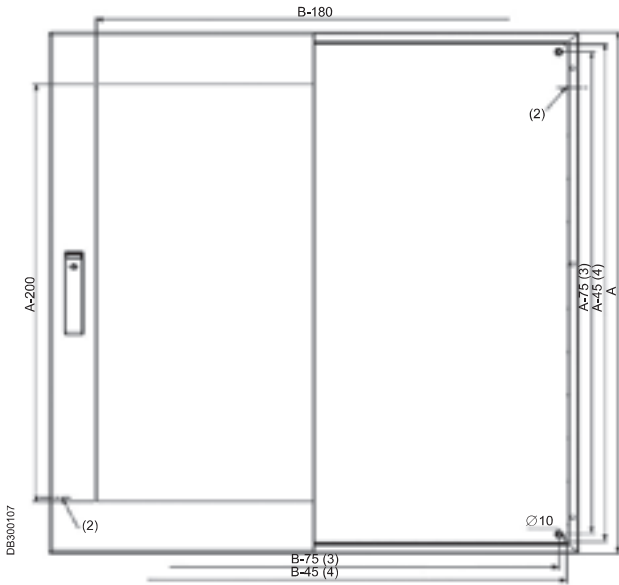
### Door

- Three-point locking system for one and two doors. Standard 5-mm double-bar lock.
- Metal hinges - Easily reversible door.
- Door-centring piece on two-door enclosures to ensure proper door alignment.
- Foamed-in polyurethane gasket on the doors to guarantee water and dust tightness for many years.
- Reinforcement on plain doors with welded perforated door profiles for equipment fixing.
- Delivered with a reusable packaging and technical instructions.

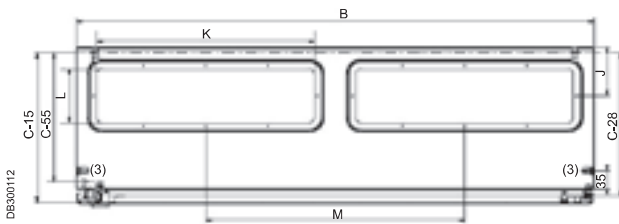
### Certificates

- Compliance with European enclosure standard IEC 62208.
- UL, CUL.
- NEMA 4 for single-door enclosure according to NEMA 250.
- NEMA 12, 12K and 13 for double-door enclosure according to NEMA 250.
- RoHS compliance.

A Enclosure height  
 B Enclosure width  
 C Enclosure depth

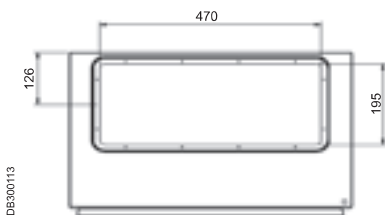


Cable entry type H: enclosure width > = 800 mm



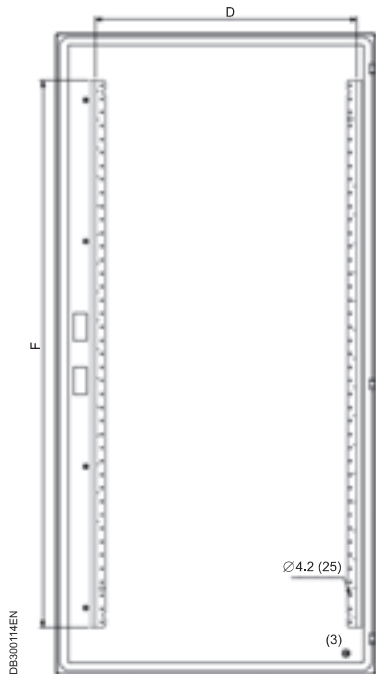
Enclosure					
Width (B)	Depth (C)	J	K	L	M
600	300-400	126	470	195	-
800	300-400	95	320	105	400
1000 (5)	300	125	420	105	500
1000	300-400	95	420	105	500
1200	300	95	420	105	500
1200	400	125	420	105	600

Cable entry type G: enclosure width 600 mm



- (1) Four M8 x 25 back studs.
- (2) Two M6 x 17.5 earth studs.
- (3) Spacing between the studs.
- (4) Spacing between the perforations for direct fixing.
- (5) Only models 1400 x 1000 x 300.

**Dimensions of the door-reinforcement profiles (1).**



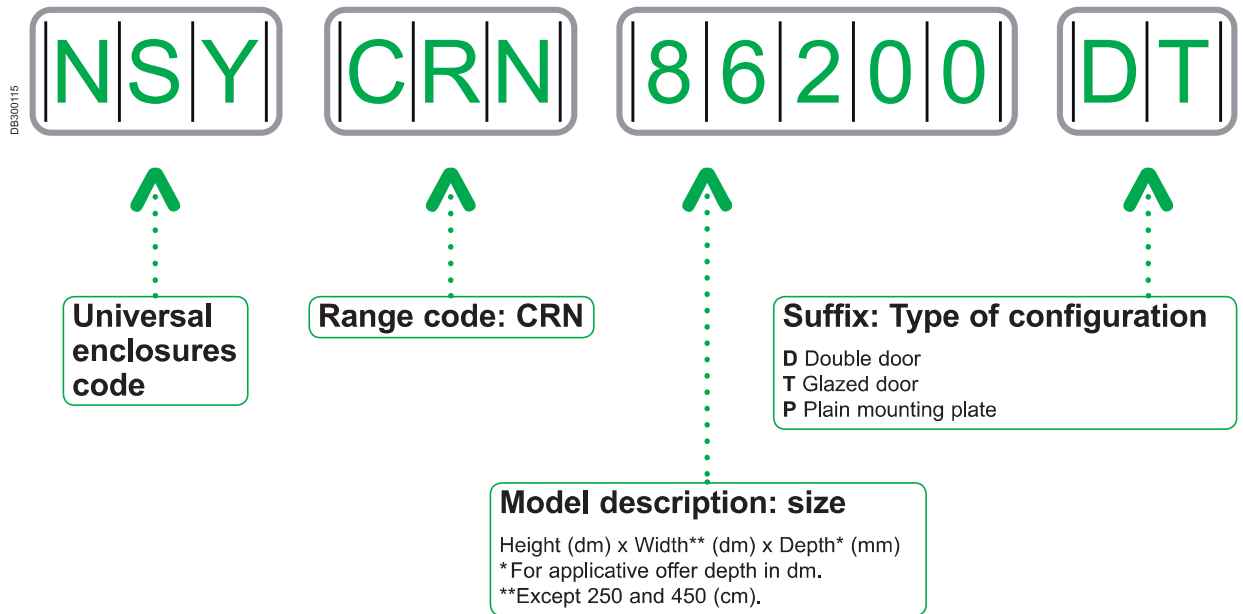
1-door enclosure		Reinforcement profile	
Height (A)	Width (B)	F	D
800	600	620	487
1000	600	820	487
1000	800	820	687
1200	600	1020	480
1200	800	1020	687

2-door enclosure		Reinforcement profile			
Height (A)	Width (B)	Rt. Door		Lft. Door	
		F	D	F	D
800	1000	620	387	620	437
800	1200	620	487	620	537
1000	1000	820	387	820	437
1000	1200	820	487	820	537
1200	1000	1020	387	1020	437
1200	1200	1020	487	1020	537
1400	1000	1020	387	1020	437

- (1) The T doors only include vertical profiles.
- (2) 25-mm passage.
- (3) 1 M6 x 17.5 earth stud.



Download our DXF diagrams from our website.



References are based on the enclosure dimension, this allows you to quickly select the best choice for your installation.

Example:

- You need a Spacial **CRN** wall-mounting enclosure.
- Height **600** x Width **400** x Depth **200** mm.



The reference will be **NSYCRN64200**.



You only know the dimension of the enclosure you need. Now it is easy to generate our reference.

Example:

- You need a Spacial steel wall-mounting enclosure.
- Height **500** x Width **500** x Depth **250** mm with a **T**ransparent door (**T**).
- Our steel wall mounting enclosure is the Spacial **CRN**.



The reference will be **NSYCRN55250T**.

Save time and avoid mistakes by checking your enclosure reference to order the right accessory.

Example:

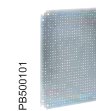
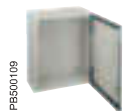
- You need a plain mounting plate for a Spacial **CRN** enclosure.
- Your enclosure reference is **NSY64250**.
- The code for a plain mounting plate: **NSYMM**.



The mounting plate reference will be **NSYMM64**.

# Wall-mounting steel enclosures

## Selection guide



CRN Wall-mounting steel enclosures												
Dimensions			No. of doors	IP	Weight (1)	Plain door with mounting plate	Plain door without mounting plate	Glazed door without mounting plate	Plain	Silkscreened	Microperforated	
H	W	D										
Page 64									Page 324		Page 325	
200	200	150	1	66	2.5	-	NSYCRN22150 (2)	-	NSYMM22	-	-	
200	300	150	1	66	3.9	-	NSYCRN23150 (2)	-	NSYMM32	-	NSYMF32	
250	200	150	1	66	3.2	NSYCRN252150P	NSYCRN252150	-	NSYMM2520	-	-	
300	250	150	1	66	4.2	NSYCRN325150P	NSYCRN325150	NSYCRN325150T	NSYMM3025	-	-	
300	250	200	1	66	4.9	NSYCRN325200P	NSYCRN325200	NSYCRN325200T	NSYMM3025	-	-	
300	300	150	1	66	5.0	NSYCRN33150P	NSYCRN33150	NSYCRN33150T	NSYMM33	-	NSYMF33	
300	300	200	1	66	6.0	NSYCRN33200P	NSYCRN33200	NSYCRN33200T	NSYMM33	-	NSYMF33	
300	400	200	1	66	6.4	-	NSYCRN34200	NSYCRN34200T	NSYMM43	NSYMS43	NSYMF43	
300	450	150	1	66	6.7	-	NSYCRN345150 (2)	-	NSYMM3045	-	-	
400	300	150	1	66	6.0	NSYCRN43150P	NSYCRN43150	NSYCRN43150T	NSYMM43	NSYMS43	NSYMF43	
400	300	200	1	66	6.8	NSYCRN43200P	NSYCRN43200	NSYCRN43200T	NSYMM43	NSYMS43	NSYMF43	
400	400	200	1	66	8.0	NSYCRN44200P	NSYCRN44200	NSYCRN44200T	NSYMM44	NSYMS44	NSYMF44	
400	600	250	1	66	10.0	NSYCRN46250P	NSYCRN46250	NSYCRN46250T	NSYMM64	NSYMS64	NSYMF64	
400	600	300	1	66	11.2	NSYCRN46300P	NSYCRN46300	NSYCRN46300T	NSYMM64	NSYMS64	NSYMF64	
500	400	150	1	66	8.7	NSYCRN54150P	NSYCRN54150	NSYCRN54150T	NSYMM54	NSYMS54	NSYMF54	
500	400	200	1	66	9.8	NSYCRN54200P	NSYCRN54200	NSYCRN54200T	NSYMM54	NSYMS54	NSYMF54	
500	400	250	1	66	11.0	NSYCRN54250P	NSYCRN54250	NSYCRN54250T	NSYMM54	NSYMS54	NSYMF54	
500	500	250	1	66	12.8	NSYCRN55250P	NSYCRN55250	NSYCRN55250T	NSYMM55	NSYMS55	NSYMF55	
600	400	150	1	66	9.3	NSYCRN64150P	NSYCRN64150	NSYCRN64150T	NSYMM64	NSYMS64	NSYMF64	
600	400	200	1	66	10.8	NSYCRN64200P	NSYCRN64200	NSYCRN64200T	NSYMM64	NSYMS64	NSYMF64	
600	400	250	1	66	12.3	NSYCRN64250P	NSYCRN64250	NSYCRN64250T	NSYMM64	NSYMS64	NSYMF64	
600	500	150	1	66	11.3	NSYCRN65150P	NSYCRN65150	NSYCRN65150T	NSYMM65	-	NSYMF65	
600	500	200	1	66	14.3	NSYCRN65200P	NSYCRN65200	NSYCRN65200T	NSYMM65	-	NSYMF65	
600	500	250	1	66	16.2	NSYCRN65250P	NSYCRN65250	NSYCRN65250T	NSYMM65	-	NSYMF65	
600	600	200	1	66	16.3	-	NSYCRN66200	NSYCRN66200T	NSYMM66	NSYMS66	NSYMF66	
600	600	250	1	66	18.2	NSYCRN66250P	NSYCRN66250	NSYCRN66250T	NSYMM66	NSYMS66	NSYMF66	
600	600	300	1	66	19.8	NSYCRN66300P	NSYCRN66300	NSYCRN66300T	NSYMM66	NSYMS66	NSYMF66	
600	800	300	1	66	26.0	-	NSYCRN68300	NSYCRN68300T	NSYMM86	NSYMS86	NSYMF86	
700	500	200	1	66	17.3	NSYCRN75200P	NSYCRN75200	NSYCRN75200T	NSYMM75	NSYMS75	NSYMF75	
700	500	250	1	66	19.3	NSYCRN75250P	NSYCRN75250	NSYCRN75250T	NSYMM75	NSYMS75	NSYMF75	
800	600	200	1	66	21.8	NSYCRN86200P	NSYCRN86200	NSYCRN86200T	NSYMM86	NSYMS86	NSYMF86	
800	600	250	1	66	24.8	NSYCRN86250P	NSYCRN86250	NSYCRN86250T	NSYMM86	NSYMS86	NSYMF86	
800	600	300	1	66	26.3	NSYCRN86300P	NSYCRN86300	NSYCRN86300T	NSYMM86	NSYMS86	NSYMF86	
800	800	200	1	66	29.5	NSYCRN88200P	NSYCRN88200	NSYCRN88200T	NSYMM88	-	NSYMF88	
800	800	300	1	66	32.5	NSYCRN88300P	NSYCRN88300	NSYCRN88300T	NSYMM88	-	NSYMF88	
1000	600	250	1	66	28.4	NSYCRN106250P	NSYCRN106250	NSYCRN106250T	NSYMM106	-	NSYMF106	
1000	600	300	1	66	30.6	NSYCRN106300P	NSYCRN106300	NSYCRN106300T	NSYMM106	-	NSYMF106	
1000	800	250	1	66	34.5	NSYCRN108250P	NSYCRN108250	NSYCRN108250T	NSYMM108	-	NSYMF108	
1000	800	300	1	66	37.4	NSYCRN108300P	NSYCRN108300	NSYCRN108300T	NSYMM108	-	NSYMF108	

CRNG Wall-mounting steel enclosures with three-point locking system												
800	600	400	1	66	30.0	-	NSYCRNG86400	NSYCRNG86400T	NSYMM86	NSYMS86	NSYMF86	
800	1000	300	2	55	40.0	-	NSYCRNG810300D	-	NSYMM108	-	NSYMF108	
800	1200	300	2	55	46.0	-	NSYCRNG812300D	-	NSYMM128	-	NSYMF128	
1000	600	400	1	66	36.0	-	NSYCRNG106400	NSYCRNG106400T	NSYMM106	-	NSYMF106	
1000	800	400	1	66	43.0	-	NSYCRNG108400	NSYCRNG108400T	NSYMM108	-	NSYMF108	
1000	1000	300	2 (3)	55	47.0	-	NSYCRNG1010300D	NSYCRNG1010300T	NSYMM1010	-	NSYMF1010	
1000	1200	300	2	55	55.0	-	NSYCRNG1012300D	-	NSYMM1210	-	NSYMF1210	
1000	1200	400	2	55	60.0	-	NSYCRNG1012400D	-	NSYMM1210	-	NSYMF1210	
1200	600	300	1	66	37.0	-	NSYCRNG126300	NSYCRNG126300T	NSYMM126	-	NSYMF126	
1200	600	400	1	66	42.0	-	NSYCRNG126400	NSYCRNG126400T	NSYMM126	-	NSYMF126	
1200	800	300	1	66	45.0	-	NSYCRNG128300	NSYCRNG128300T	NSYMM128	-	NSYMF128	
1200	800	400	1	66	50.0	-	NSYCRNG128400	NSYCRNG128400T	NSYMM128	-	NSYMF128	
1200	1000	300	2	55	56.0	-	NSYCRNG1210300D	-	NSYMM1210	-	NSYMF1210	
1200	1000	400	2	55	61.0	-	NSYCRNG1210400D	-	NSYMM1210	-	NSYMF1210	
1200	1200	300	2	55	64.0	-	NSYCRNG1212300D	-	NSYMM1212	-	2 x NSYMF126*	
1200	1200	400	2	55	90.0	-	NSYCRNG1212400D	-	NSYMM1212	-	2 x NSYMF126*	
1400	1000	300	2	55	80.0	-	NSYCRNG1410300D	-	NSYMM1410	-	-	

(1) Enclosure without mounting plate.

\*Order NSYCRNGSDR to mount double mounting plate.

(2) Two cable gland plates, one on the top, one on the bottom.

(3) Except glazed door in single door.

# Wall-mounting steel enclosures

## Selection guide



	Telequick	Bakelite	DIN rails chassis	Aluminum upright (7)	Step slides	Cable entry				
						Figure	Type of cable entry	Standard cable-gland plate	Insulated cable-gland plate	Cable-gland plate with FL cut-out
						Pages 65 67		Page 87	Page 86	Page 85
	-	-	-	-	-	1	0	NSYTLCRNO	-	-
	-	NSYMB32	-	-	-	1	B	NSYTLCRNB	-	-
	-	-	-	-	-	1	0	NSYTLCRNO	-	-
	NSYMR3025	NSYMB3025	-	NSYMDVR3	-	1	A	NSYTLCRNB	NSYTSACRNB	-
	NSYMR3025	NSYMB3025	-	NSYMDVR3	NSYSDCR200	1	A	NSYTLCRNB	NSYTSACRNB	NSYTFL13CRNB
	NSYMR33	NSYMB33	NSYMD33	NSYMDVR3	-	1	B	NSYTLCRNB	NSYTSACRNB	NSYTFL13CRNB
	NSYMR33	NSYMB33	NSYMD33	NSYMDVR3	NSYSDCR200	1	B	NSYTLCRNB	NSYTSACRNB	NSYTFL13CRNB
	NSYMR34	NSYMB43	-	NSYMDVR3	NSYSDCR200	1	C	NSYTLCRNB	NSYTSACRNB	NSYTFL21CRNB
	-	NSYMB43	-	NSYMDVR3	-	1	B	NSYTLCRNB	NSYTSACRNB	NSYTFL13CRNB
	NSYMR43	NSYMB43	NSYMD43	NSYMDVR4	-	1	B	NSYTLCRNB	NSYTSACRNB	NSYTFL13CRNB
	NSYMR43	NSYMB43	NSYMD43	NSYMDVR4	NSYSDCR200	1	B	NSYTLCRNB	NSYTSACRNB	NSYTFL13CRNB
	NSYMR44	-	-	NSYMDVR4	NSYSDCR200	1	C	NSYTLCRNB	NSYTSACRNB	NSYTFL21CRNB
	NSYMR46	NSYMB64	-	NSYMDVR4	NSYSDCR250	1	D	NSYTLCRNB	NSYTSACRNB	NSYTFL21CRNB
	NSYMR46	NSYMB64	-	NSYMDVR4	NSYSDCR300	1	D	NSYTLCRNB	NSYTSACRNB	NSYTFL21CRNB
	NSYMR54	NSYMB54	NSYMD54	NSYMDVR5	-	2	B	NSYTLCRNB	NSYTSACRNB	NSYTFL13CRNB
	NSYMR54	NSYMB54	NSYMD54	NSYMDVR5	NSYSDCR200	2	C	NSYTLCRNB	NSYTSACRNB	NSYTFL21CRNB
	NSYMR54	NSYMB54	NSYMD54	NSYMDVR5	NSYSDCR250	2	C	NSYTLCRNB	NSYTSACRNB	NSYTFL21CRNB
	NSYMR55	-	-	NSYMDVR5	NSYSDCR250	2	D	NSYTLCRNB	NSYTSACRNB	NSYTFL21CRNB
	NSYMR64	NSYMB64	NSYMD64	NSYMDVR6	-	2	B	NSYTLCRNB	NSYTSACRNB	NSYTFL13CRNB
	NSYMR64	NSYMB64	NSYMD64	NSYMDVR6	NSYSDCR200	2	C	NSYTLCRNB	NSYTSACRNB	NSYTFL21CRNB
	NSYMR64	NSYMB64	NSYMD64	NSYMDVR6	NSYSDCR250	2	C	NSYTLCRNB	NSYTSACRNB	NSYTFL21CRNB
	NSYMR65	NSYMB65	-	NSYMDVR6	-	2	B	NSYTLCRNB	NSYTSACRNB	NSYTFL13CRNB
	NSYMR65	NSYMB65	-	NSYMDVR6	NSYSDCR200	2	D	NSYTLCRNB	NSYTSACRNB	NSYTFL21CRNB
	NSYMR65	NSYMB65	-	NSYMDVR6	NSYSDCR250	2	D	NSYTLCRNB	NSYTSACRNB	NSYTFL21CRNB
	NSYMR66	-	NSYMD66	NSYMDVR6	NSYSDCR200	2	D	NSYTLCRNB	NSYTSACRNB	NSYTFL21CRNB
	NSYMR66	-	NSYMD66	NSYMDVR6	NSYSDCR250	2	D	NSYTLCRNB	NSYTSACRNB	NSYTFL21CRNB
	NSYMR66	-	NSYMD66	NSYMDVR6	NSYSDCR300	2	D	NSYTLCRNB	NSYTSACRNB	NSYTFL21CRNB
	NSYMR68	-	-	NSYMDVR6	NSYSDCR300	2	E	NSYTLCRNB (4)	NSYTSACRNB	NSYTFL21CRNB
	NSYMR75	NSYMB75	NSYMD75	NSYMDVR7	NSYSDCR200	2	D	NSYTLCRNB	NSYTSACRNB	NSYTFL21CRNB
	NSYMR75	NSYMB75	NSYMD75	NSYMDVR7	NSYSDCR250	2	D	NSYTLCRNB	NSYTSACRNB	NSYTFL21CRNB
	NSYMR86	NSYMB86	NSYMD86	NSYMDVR8	NSYSDCR200	2	D	NSYTLCRNB	NSYTSACRNB	NSYTFL21CRNB
	NSYMR86	NSYMB86	NSYMD86	NSYMDVR8	NSYSDCR250	2	D	NSYTLCRNB	NSYTSACRNB	NSYTFL21CRNB
	NSYMR86	NSYMB86	NSYMD86	NSYMDVR8	NSYSDCR300	2	D	NSYTLCRNB	NSYTSACRNB	NSYTFL21CRNB
	NSYMR88	-	-	NSYMDVR8	NSYSDCR200	2	E	NSYTLCRNB (4)	NSYTSACRNB (5)	NSYTFL21CRNB
	NSYMR88	-	-	NSYMDVR8	NSYSDCR300	2	E	NSYTLCRNB (4)	NSYTSACRNB (5)	NSYTFL21CRNB
	NSYMR106	NSYMB106	-	NSYMDVR10	NSYSDCR250	2	D	NSYTLCRNB	NSYTSACRNB	NSYTFL21CRNB
	NSYMR106	NSYMB106	-	NSYMDVR10	NSYSDCR300	2	D	NSYTLCRNB	NSYTSACRNB	NSYTFL21CRNB
	NSYMR108	NSYMB108	NSYMD108	NSYMDVR10	NSYSDCR250	2	E	NSYTLCRNB (4)	NSYTSACRNB (5)	NSYTFL21CRNB
	NSYMR108	NSYMB108	NSYMD108	NSYMDVR10	NSYSDCR300	2	E	NSYTLCRNB (4)	NSYTSACRNB (5)	NSYTFL21CRNB
	NSYMR86	NSYMB86	NSYMD86	NSYMDVR8	NSYSDCR400	3	G	NSYTLCRNB	-	NSYTFL21CRNB
	NSYMR810	-	-	NSYMDVR8	NSYSDCR300	4	H	NSYTLCRNB	-	NSYTFL21CRNB
	2 x NSYMR86*	-	-	NSYMDVR8	NSYSDCR300**	4	H	NSYTLCRNB	-	NSYTFL21CRNB
	NSYMR106	NSYMB106	-	NSYMDVR10	NSYSDCR400	3	G	NSYTLCRNB	-	NSYTFL21CRNB
	NSYMR108	NSYMB108	NSYMD108	NSYMDVR10	NSYSDCR400	4	H	NSYTLCRNB	-	NSYTFL21CRNB
	NSYMR1010 (6)	NSYMB1210	-	NSYMDVR10	NSYSDCR300	4	H	NSYTLCRNB	-	NSYTFL21CRNB
	NSYMR1012 (6)	NSYMB1210	-	NSYMDVR10	NSYSDCR300**	4	H	NSYTLCRNB	-	NSYTFL21CRNB
	NSYMR1012 (6)	-	-	NSYMDVR10	NSYSDCR400**	4	H	NSYTLCRNB	-	NSYTFL21CRNB
	NSYMR126	-	-	NSYMDVR12	NSYSDCR300	3	G	NSYTLCRNB	-	NSYTFL21CRNB
	NSYMR126	-	-	NSYMDVR12	NSYSDCR400	3	G	NSYTLCRNB	-	NSYTFL21CRNB
	NSYMR128	-	NSYMD128	NSYMDVR12	NSYSDCR300	4	H	NSYTLCRNB	-	NSYTFL21CRNB
	NSYMR128	-	NSYMD128	NSYMDVR12	NSYSDCR400	4	H	NSYTLCRNB	-	NSYTFL21CRNB
	NSYMR1210 (6)	NSYMB1210	-	NSYMDVR12	NSYSDCR300	4	H	NSYTLCRNB	-	NSYTFL21CRNB
	NSYMR1210 (6)	NSYMB1210	-	NSYMDVR12	NSYSDCR400	4	H	NSYTLCRNB	-	NSYTFL21CRNB
	2 x NSYMR126*	-	-	NSYMDVR12	NSYSDCR300**	4	H	NSYTLCRNB	-	NSYTFL21CRNB
	2 x NSYMR126*	-	-	NSYMDVR12	NSYSDCR400**	4	H	NSYTLCRNB	-	NSYTFL21CRNB
	NSYMR1410 (6)	-	-	-	NSYSDCR300	4	H	NSYTLCRNB	-	NSYTFL21CRNB

(4) With two holes.

(6) Ref NSYEMR mandatory.

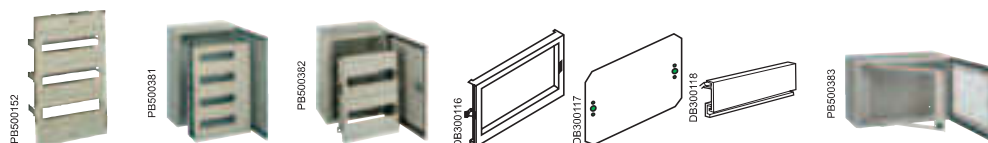
\*\*Except for double mounting plate, order in addition

(5) For flange openings type E, two NSYTSACRNC (7) Order NSYAMCSF, NSYMDVR12 in steel. ref. NSYSDRSDCR300 (D300) or NSYSDRSDCR400 (D400). are required.



# Wall-mounting steel enclosures

## Selection guide



### CRN Wall-mounting steel enclosures

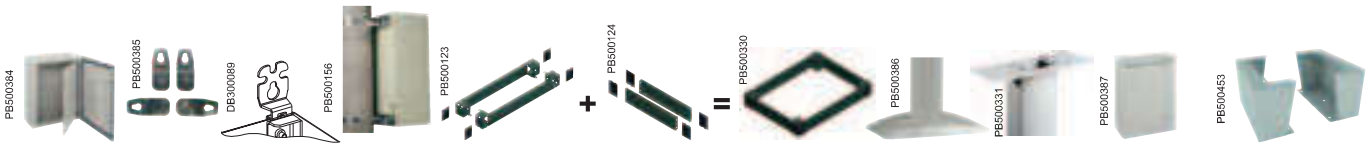
Dimensions						Electric distribution						Electronic and network	
H	W	D	No. of doors	IP	Weight (1)	DLA insulated distribution chassis	DL metal distribution chassis	DLM metal distribution chassis	Plain cover plate for DLM	Mounting plate for DLM	Blanking plate	Fixed 19" rack	Swing 19" rack
						Page 273	Page 384	Page 382	Page 383		Page 385	Page 614	Page 614
200	200	150	1	66	2.5	-	-	-	-	-	-	-	-
200	300	150	1	66	3.9	-	-	-	-	-	-	-	-
250	200	150	1	66	3.2	-	-	-	-	-	-	-	-
300	250	150	1	66	4.2	NSYDLPLM18	NSYDLCR18	-	-	-	-	-	-
300	250	200	1	66	4.9	NSYDLPLM18	NSYDLCR18	-	-	-	-	-	-
300	300	150	1	66	5	-	-	-	-	-	-	-	-
300	300	200	1	66	6	-	-	-	-	-	-	-	-
300	400	200	1	66	6.4	-	-	-	-	-	-	-	-
300	450	150	1	66	6.7	-	-	-	-	-	-	-	-
400	300	150	1	66	6	NSYDLA24	NSYDLCR24/ NSYDLCR36	NSYDLM24	NSYCTL300DLM	NSYPMP300DLM	NSYATP72G	-	-
400	300	200	1	66	6.8	NSYDLA24	NSYDLCR24* (2)/ NSYDLCR36* (2)	NSYDLM24	NSYCTL300DLM	NSYPMP300DLM	NSYATP72G	-	-
400	400	200	1	66	8	-	-	-	-	-	-	-	-
400	600	250	1	66	10	-	-	-	-	-	-	NSYVDM8UF	NSYVDM7UP
400	600	300	1	66	11.2	-	-	-	-	-	-	NSYVDM8UF	NSYVDM7UP
500	400	150	1	66	8.7	NSYDLA48	NSYDLCR48	NSYDLM48	NSYCTL400DLM	NSYPMP400DLM	NSYATP72G	-	-
500	400	200	1	66	9.8	NSYDLA48	NSYDLCR48* (2)	NSYDLM48	NSYCTL400DLM	NSYPMP400DLM	NSYATP72G	-	-
500	400	250	1	66	11	NSYDLA48	-	NSYDLM48	NSYCTL400DLM	NSYPMP400DLM	NSYATP72G	-	-
500	500	250	1	66	12.8	-	-	-	-	-	-	-	-
600	400	150	1	66	9.3	NSYDLA48P	NSYDLCR64	NSYDLM48P	NSYCTL400DLM	NSYPMP400DLM	NSYATP72G	-	-
600	400	200	1	66	10.8	NSYDLA48P	NSYDLCR64	NSYDLM48P	NSYCTL400DLM	NSYPMP400DLM	NSYATP72G	-	-
600	400	250	1	66	12.3	NSYDLA48P	-	NSYDLM48P	NSYCTL400DLM	NSYPMP400DLM	NSYATP72G	-	-
600	500	150	1	66	11.3	-	NSYDLCR88	-	-	-	-	-	-
600	500	200	1	66	14.3	-	NSYDLCR88	-	-	-	-	-	-
600	500	250	1	66	16.2	-	-	-	-	-	-	-	-
600	600	200	1	66	16.3	-	-	NSYDLM84P	NSYCTL600DLM	NSYPMP600DLM	NSYATP72G	NSYVDM12UF	NSYVDM11UP
600	600	250	1	66	18.2	-	-	NSYDLM84P	NSYCTL600DLM	NSYPMP600DLM	NSYATP72G	NSYVDM12UF	NSYVDM11UP
600	600	300	1	66	19.8	-	-	NSYDLM84P	NSYCTL600DLM	NSYPMP600DLM	NSYATP72G	NSYVDM12UF	NSYVDM11UP
600	800	300	1	66	26	-	-	-	-	-	-	-	-
700	500	200	1	66	17.3	NSYDLA66/NSYDLA88	NSYDLCR110	NSYDLM66/NSYDLM88	NSYCTL500DLM	NSYPMP500DLM	NSYATP72G	-	-
700	500	250	1	66	19.3	NSYDLA66/NSYDLA88	-	NSYDLM66/NSYDLM88	NSYCTL500DLM	NSYPMP500DLM	NSYATP72G	-	-
800	600	200	1	66	21.8	NSYDLA84/NSYDLA112	NSYDLCR135	NSYDLM84/NSYDLM112	NSYCTL600DLM	NSYPMP600DLM	NSYATP72G	NSYVDM17UF	-
800	600	250	1	66	24.8	NSYDLA84/NSYDLA112	-	NSYDLM84/NSYDLM112	NSYCTL600DLM	NSYPMP600DLM	NSYATP72G	NSYVDM17UF	NSYVDM16UP
800	600	300	1	66	26.3	NSYDLA84/NSYDLA112	-	NSYDLM84/NSYDLM112	NSYCTL600DLM	NSYPMP600DLM	NSYATP72G	NSYVDM17UF	NSYVDM16UP
800	800	200	1	66	29.5	-	-	-	-	-	-	-	-
800	800	300	1	66	32.5	-	-	-	-	-	-	-	-
1000	600	250	1	66	28.4	-	-	NSYDLM168	NSYCTL600DLM	NSYPMP600DLM	NSYATP72G	NSYVDM21UF	NSYVDM20UP
1000	600	300	1	66	30.6	-	-	NSYDLM168	NSYCTL600DLM	NSYPMP600DLM	NSYATP72G	NSYVDM21UF	NSYVDM20UP
1000	800	250	1	66	34.5	NSYDLA234	-	NSYDLM240	NSYCTL800DLM	NSYPMP800DLM	NSYATP72G	-	NSYVDM20U8P
1000	800	300	1	66	37.4	NSYDLA234	-	NSYDLM240	NSYCTL800DLM	NSYPMP800DLM	NSYATP72G	-	NSYVDM20U8P

### CRNG Wall-mounting steel enclosures

800	600	400	1	66	30	NSYDLA84/NSYDLA112	-	NSYDLM84/NSYDLM112	NSYCTL600DLM	NSYPMP600DLM	NSYATP72G	NSYVDM17UF	NSYVDM16UP
800	1000	300	2	55	40	-	-	-	-	-	-	-	-
800	1200	300	2	55	46	-	-	-	-	-	-	-	-
1000	600	400	1	66	36	-	-	NSYDLM168	NSYCTL600DLM	NSYPMP600DLM	NSYATP72G	NSYVDM21UF	NSYVDM20UP
1000	800	400	1	66	43	NSYDLA234	-	NSYDLM240	NSYCTL800DLM	NSYPMP800DLM	NSYATP72G	-	NSYVDM20U8P
1000	1000	300	2	55	47	-	-	-	-	-	-	-	-
1000	1200	300	2	55	55	-	-	-	-	-	-	-	-
1000	1200	400	2	55	60	-	-	-	-	-	-	-	-
1200	600	300	1	66	37	-	-	-	-	-	-	-	-
1200	600	400	1	66	42	-	-	-	-	-	-	-	-
1200	800	300	1	66	45	-	-	-	-	-	-	-	NSYVDM25U8P
1200	800	400	1	66	50	-	-	-	-	-	-	-	NSYVDM25U8P
1200	1000	300	2	55	56	-	-	-	-	-	-	-	-
1200	1000	400	2	55	61	-	-	-	-	-	-	-	-
1200	1200	300	2	55	64	-	-	-	-	-	-	-	-
1200	1200	400	2	55	90	-	-	-	-	-	-	-	-
1400	1000	300	2	55	80	-	-	-	-	-	-	-	-

(1) Enclosure without mounting plate.

(2) To be coupled in 200 mm depth enclosure, the lifting bracket ref. **NSYEX608** must be ordered separately.



Installation system													
	Inner door	Wall-fixing lugs	Kit for heavy loads*	Post-fixing device	Single plinths side plate**		Single plinths front plate**		Supporting pole	Coupling plates	Canopies	Floor stand kit for WM	
					100 mm	200 mm	100 mm	200 mm				300 mm	400 mm
	Page 88	Page 75	Page 76	Page 78	Page 79				Page 77	Page 82	Page 80		
-	NSYPFCR	-	-	-	-	-	-	-	-	-	-	-	-
-	NSYPFCR	-	-	-	-	-	-	-	-	-	-	-	-
-	NSYPFCR	-	-	-	-	-	-	NSYCOCN80	-	NSYTJ2015	-	-	-
-	NSYPFCR	-	-	-	-	-	-	NSYCOCN80	NSYCHCOA	NSYTJ2515	-	-	-
-	NSYPFCR	-	-	-	-	-	-	NSYCOCN80	NSYCHCOA	NSYTJ2520	-	-	-
-	-	-	-	NSYSFPSC30	-	-	-	NSYCOCN80	NSYCHCOB	NSYTJ3015	-	-	-
-	-	-	-	NSYSFPSC30	-	-	-	NSYCOCN80	NSYCHCOB	NSYTJ3020	-	-	-
-	-	-	-	NSYSFPSC40	-	-	-	NSYCOCN80	NSYCHCOB	NSYTJ4020	-	-	-
-	NSYPFCR	-	-	-	-	-	-	-	-	-	-	-	-
NSYPIN43	NSYPFCR	-	-	NSYSFPSC30	-	-	-	NSYCOCN80	NSYCHCOB	NSYTJ3015	-	-	-
NSYPIN43	NSYPFCR	-	-	NSYSFPSC30	-	-	-	NSYCOCN80	NSYCHCOB	NSYTJ3020	-	-	-
-	NSYPFCR	-	-	NSYSFPSC40	-	-	-	NSYCOCN80	NSYCHCOB	NSYTJ4020	-	-	-
-	NSYPFCR	-	-	NSYSFPSC60	-	-	-	NSYCOCN80	NSYCHCOB	NSYTJ6025	-	-	-
-	NSYPFCR	-	-	NSYSFPSC60	NSYSPS3100SD	NSYSPS3200SD	NSYSPPF6100	NSYSPPF6200	NSYCOCN80	NSYCHCOB	NSYTJ6030	-	-
NSYPIN54	NSYPFCR	-	-	NSYSFPSC40	-	-	-	NSYCOCN80	NSYCHCOB	NSYTJ4015	-	-	-
NSYPIN54	NSYPFCR	-	-	NSYSFPSC40	-	-	-	NSYCOCN80	NSYCHCOB	NSYTJ4020	-	-	-
NSYPIN54	NSYPFCR	-	-	NSYSFPSC40	-	-	-	NSYCOCN80	NSYCHCOB	NSYTJ4025	-	-	-
-	NSYPFCR	-	-	NSYSFPSC50	-	-	-	NSYCOCN80	NSYCHCOB	NSYTJ5025	-	-	-
NSYPIN64	NSYPFCR	-	-	NSYSFPSC40	-	-	-	NSYCOCN80	NSYCHCOB	NSYTJ4015	-	-	-
NSYPIN64	NSYPFCR	-	-	NSYSFPSC40	-	-	-	NSYCOCN80	NSYCHCOB	NSYTJ4020	-	-	-
NSYPIN64	NSYPFCR	-	-	NSYSFPSC40	-	-	-	NSYCOCN80	NSYCHCOB	NSYTJ4025	-	-	-
-	NSYPFCR	-	-	NSYSFPSC50	-	-	-	NSYCOCN80	NSYCHCOB	NSYTJ5015	-	-	-
-	NSYPFCR	-	-	NSYSFPSC50	-	-	-	NSYCOCN80	NSYCHCOB	NSYTJ5020	-	-	-
-	NSYPFCR	-	-	NSYSFPSC50	-	-	-	NSYCOCN80	NSYCHCOB	NSYTJ5025	-	-	-
-	NSYPFCR	-	-	NSYSFPSC60	-	-	-	NSYCOCN80	NSYCHCOB	NSYTJ6020	-	-	-
-	NSYPFCR	-	-	NSYSFPSC60	-	-	-	NSYCOCN80	NSYCHCOB	NSYTJ6025	-	-	-
-	NSYPFCR	-	-	NSYSFPSC60	NSYSPS3100SD	NSYSPS3200SD	NSYSPPF6100	NSYSPPF6200	NSYCOCN80	NSYCHCOB	NSYTJ6030	-	-
-	NSYPFCR	-	-	NSYSFPSC80	NSYSPS3100SD	NSYSPS3200SD	NSYSPPF8100	NSYSPPF8200	NSYCOCN80	NSYCHCOB (3)	NSYTJ8030	-	-
NSYPIN75	NSYPFCR	-	-	NSYSFPSC50	-	-	-	NSYCOCN80	NSYCHCOB	NSYTJ5020	-	-	-
NSYPIN75	NSYPFCR	-	-	NSYSFPSC50	-	-	-	NSYCOCN80	NSYCHCOB	NSYTJ5025	-	-	-
NSYPIN86	NSYPFCR	-	-	NSYSFPSC60	-	-	-	NSYCOCN80	NSYCHCOB	NSYTJ6020	-	-	-
NSYPIN86	NSYPFCR	-	-	NSYSFPSC60	-	-	-	NSYCOCN80	NSYCHCOB	NSYTJ6025	-	-	-
NSYPIN86	NSYPFCR	-	-	NSYSFPSC60	NSYSPS3100SD	NSYSPS3200SD	NSYSPPF6100	NSYSPPF6200	NSYCOCN80	NSYCHCOB	NSYTJ6030	-	-
-	NSYPFCR	-	-	NSYSFPSC80	-	-	-	NSYCOCN80	NSYCHCOB (3)	NSYTJ8020	-	-	-
-	NSYPFCR	-	-	NSYSFPSC80	NSYSPS3100SD	NSYSPS3200SD	NSYSPPF8100	NSYSPPF8200	NSYCOCN80	NSYCHCOB (3)	NSYTJ8030	-	-
NSYPIN106	NSYPFCR	-	-	-	-	-	-	NSYCOCN80	NSYCHCOB	NSYTJ6025	-	-	-
NSYPIN106	NSYPFCR	-	-	-	NSYSPS3100SD	NSYSPS3200SD	NSYSPPF6100	NSYSPPF6200	NSYCOCN80	NSYCHCOB	NSYTJ6030	-	-
NSYPIN108	NSYPFCR	-	-	-	-	-	-	NSYCOCN80	NSYCHCOB (3)	NSYTJ8025	-	-	-
NSYPIN108	NSYPFCR	-	-	-	NSYSPS3100SD	NSYSPS3200SD	NSYSPPF8100	NSYSPPF8200	NSYCOCN80	NSYCHCOB (3)	NSYTJ8030	-	-
NSYPIN86	NSYAEFPFSC	NSYAEFAHLBSC	NSYSFPSC60	NSYSPS4100SD	NSYSPS4200SD	NSYSPPF6100	NSYSPPF6200	-	-	NSYTJ6040	-	-	-
-	NSYAEFPFSC	NSYAEFAHLBSC	-	NSYSPS3100SD	NSYSPS3200SD	NSYSPPF10100	NSYSPPF10200	-	-	NSYTJ10030	NSYWMK33	NSYWMK34	NSYWMK34
-	NSYAEFPFSC	NSYAEFAHLBSC	-	NSYSPS3100SD	NSYSPS3200SD	NSYSPPF12100	NSYSPPF12200	-	-	NSYTJ12030	NSYWMK33	NSYWMK34	NSYWMK34
NSYPIN106	NSYAEFPFSC	NSYAEFAHLBSC	-	NSYSPS4100SD	NSYSPS4200SD	NSYSPPF6100	NSYSPPF6200	-	-	NSYTJ6040	-	-	-
NSYPIN108	NSYAEFPFSC	NSYAEFAHLBSC	-	NSYSPS4100SD	NSYSPS4200SD	NSYSPPF8100	NSYSPPF8200	-	-	NSYTJ8040	NSYWMK43	NSYWMK44	NSYWMK44
-	NSYAEFPFSC	NSYAEFAHLBSC	-	NSYSPS3100SD	NSYSPS3200SD	NSYSPPF10100	NSYSPPF10200	-	-	NSYTJ10030	NSYWMK33	NSYWMK34	NSYWMK34
-	NSYAEFPFSC	NSYAEFAHLBSC	-	NSYSPS3100SD	NSYSPS3200SD	NSYSPPF12100	NSYSPPF12200	-	-	NSYTJ12030	NSYWMK33	NSYWMK34	NSYWMK34
-	NSYAEFPFSC	NSYAEFAHLBSC	-	NSYSPS4100SD	NSYSPS4200SD	NSYSPPF12100	NSYSPPF12200	-	-	NSYTJ12040	NSYWMK43	NSYWMK44	NSYWMK44
NSYPIN126	NSYAEFPFSC	NSYAEFAHLBSC	-	NSYSPS3100SD	NSYSPS3200SD	NSYSPPF6100	NSYSPPF6200	-	-	NSYTJ6030	-	-	-
NSYPIN126	NSYAEFPFSC	NSYAEFAHLBSC	-	NSYSPS4100SD	NSYSPS4200SD	NSYSPPF6100	NSYSPPF6200	-	-	NSYTJ6040	-	-	-
NSYPIN128	NSYAEFPFSC	NSYAEFAHLBSC	-	NSYSPS3100SD	NSYSPS3200SD	NSYSPPF8100	NSYSPPF8200	-	-	NSYTJ8030	NSYWMK33	NSYWMK34	NSYWMK34
NSYPIN128	NSYAEFPFSC	NSYAEFAHLBSC	-	NSYSPS4100SD	NSYSPS4200SD	NSYSPPF8100	NSYSPPF8200	-	-	NSYTJ8040	NSYWMK43	NSYWMK44	NSYWMK44
-	NSYAEFPFSC	NSYAEFAHLBSC	-	NSYSPS3100SD	NSYSPS3200SD	NSYSPPF10100	NSYSPPF10200	-	-	NSYTJ10030	NSYWMK33	NSYWMK34	NSYWMK34
-	NSYAEFPFSC	NSYAEFAHLBSC	-	NSYSPS4100SD	NSYSPS4200SD	NSYSPPF10100	NSYSPPF10200	-	-	NSYTJ10040	NSYWMK43	NSYWMK44	NSYWMK44
-	NSYAEFPFSC	NSYAEFAHLBSC	-	NSYSPS3100SD	NSYSPS3200SD	NSYSPPF12100	NSYSPPF12200	-	-	NSYTJ12030	NSYWMK33	NSYWMK34	NSYWMK34
-	NSYAEFPFSC	NSYAEFAHLBSC	-	NSYSPS4100SD	NSYSPS4200SD	NSYSPPF12100	NSYSPPF12200	-	-	NSYTJ12040	NSYWMK43	NSYWMK44	NSYWMK44
-	NSYAEFPFSC	NSYAEFAHLBSC	-	NSYSPS3100SD	NSYSPS3200SD	NSYSPPF10100	NSYSPPF10200	-	-	NSYTJ10030	NSYWMK33	NSYWMK34	NSYWMK34

(3) 2 coupling plates and supporting poles are required.  
\*Order the NSYAEFPFSC wall-fixing brackets separately.

\*\*To install the plinth to a wall-mounting enclosure, order ref. NSYAPFWM.

> For the roof  
 Page 82

> For fixing  
 Page 76

> For coupling  
 Page 81

> For mounting  
 Page 324

> For the door  
 Page 469

> Thermal management  
 Page 658

> For closing  
 Page 83

> Customised offer  
 Page 9

> Cable gestion  
 Page 444

> For supporting the cables  
 Page 438

> For cable entries  
 (Cable-gland plate)  
 Page 85

> For cable entries  
 (Membranes, cable glands)  
 Page 420



See also  
the accessories



PB650072

Mounting plates  
page 324



PB650048

Modular Chassis  
page 382



PB650023

19" rack  
page 616



PB650022

DIN rail and fixings  
pages 365 and 377

# Composition accessories

## Fixing accessories

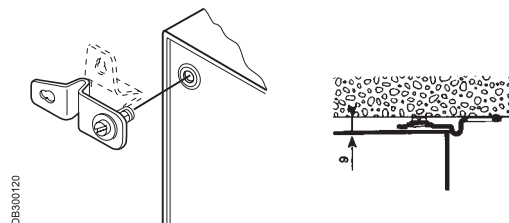
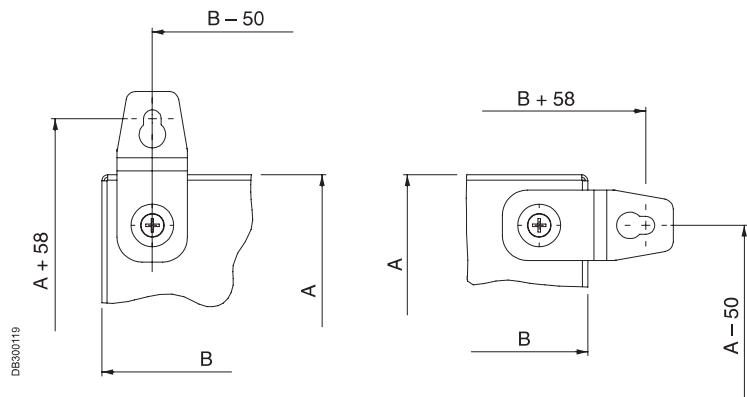


### Wall-fixing kit for Spacial CRN enclosures

- Made from passivated zinc-coated steel.
- They are fixed from the outside and can be positioned vertically or horizontally indistinctly.
- Maximum load: horizontally 180 kg vertically 350 kg.
- Not included in the standard supply.
- For Spacial CRNG enclosures use **NSYAEFPFSC** on page 76.

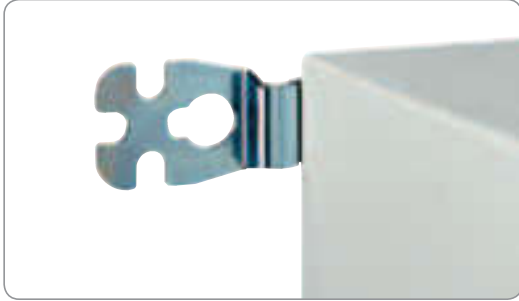
Description	Reference
4 wall-fixing lugs in steel	<b>NSYPFCR</b>
4 wall-fixing lugs in Stainless Steel	<b>NSYPFC2X</b>

A Enclosure height  
B Enclosure width



# Composition accessories

## Fixing accessories



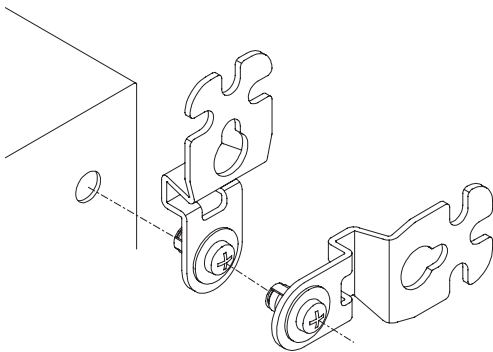
FB500022

### Wall-fixing lugs

Set of 4 wall-fixing lugs

- Mounted directly on the rear of the enclosure, either in horizontal or vertical position.
- Two types of position, steel and 304 stainless-steel, for a wall-enclosure separation of 10 mm.
- Acceptable load:
  - Horizontal lug: 180 kg.
  - Vertical lug: 350 kg.
- Supplied with fixing screws and pre-mounted sealing gaskets.

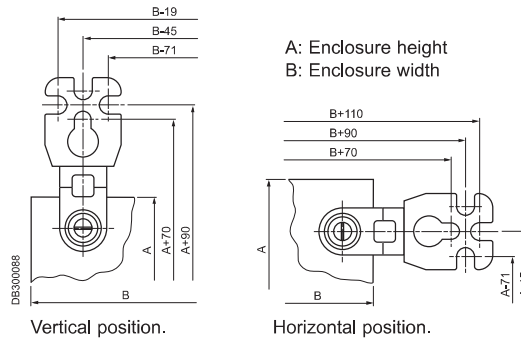
Description	Reference
Set of 4 steel fixing lugs	<b>NSYAEFPFSC</b>
Set of 4 stainless-steel fixing lugs	<b>NSYAEFPFXSC</b>



DE300067

Installation from the outside.

### Fixing centre-to-centre distance with lugs (M8 screw)

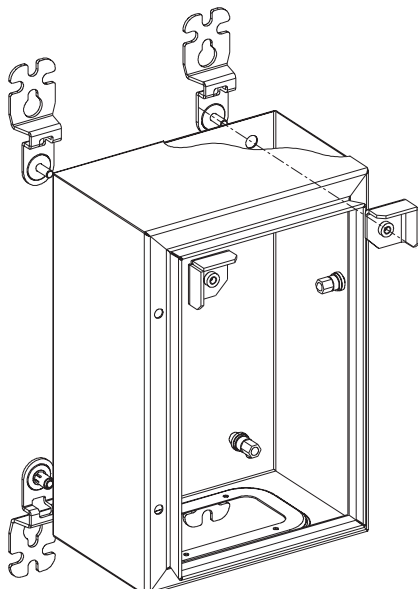
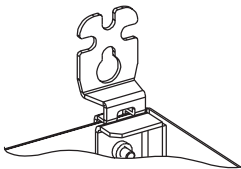


### Kit for heavy loads

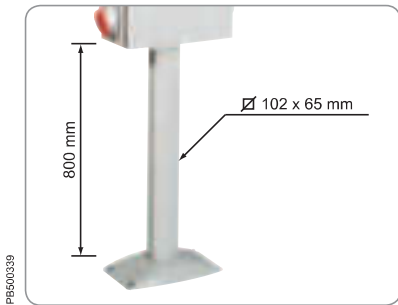
Kit made up of 2 steel reinforcement pieces.

- Maximum load, 400 kg.
- To be mounted before installing the mounting plate in top position with the standard lugs (to be ordered separately).

Description	Reference
Kit for heavy loads	<b>NSYAEFAHLBSC</b>



DE300089



## Mounting pillar

- The mounting pillar is fixed to the bottom of the enclosure using an adapter plate (see below).
- This plate needs to be ordered with the pillar and replaces the cable-gland plate.
- Overall height of the mounting pillar: 800 mm.
- Material: extruded aluminium, polyester powder paint, textured finish, RAL 7035 grey colour.
- Suitable for all Spacial CRN enclosures up to dimensions 600 x 400 x 250 mm (except Spacial CRN 200 x 200 x 150 and Spacial CRN 250 x 200 x 150).
- Cannot be mounted on Spacial CRNG enclosures.

**Reference**  
**NSYCOCN80**

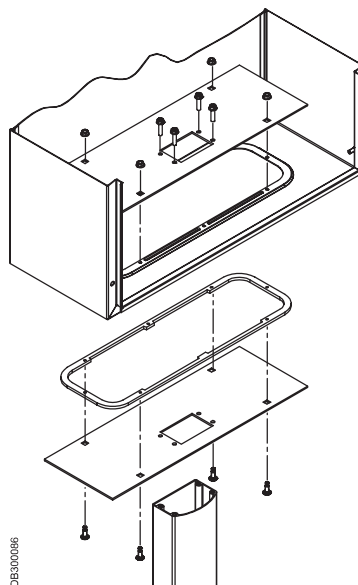


## Adapter plate

- Plate for fixing mounting pillar to enclosure. This plate replaces the cable-gland plate delivered with the enclosure.
- Material: steel, polyester powder paint, textured finish, RAL 7035 grey colour

Width of enclosure (mm)	Depth of enclosure (mm)	To be coupled with cable entry*	References
250	150-200	A	NSYCHCOA
300-400-450-500	150-200	B	NSYCHCOB
400	200-250	C	NSYCHCOC
500-600	200-250-300	D	NSYCHCOD

\*See type of entry in drawings on page 65.



# Composition accessories

## Fixing accessories



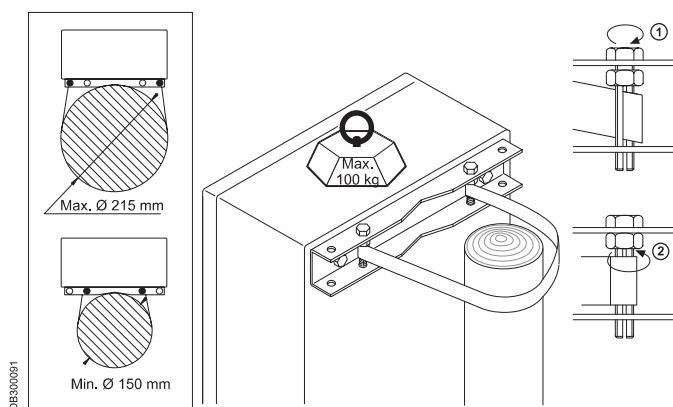
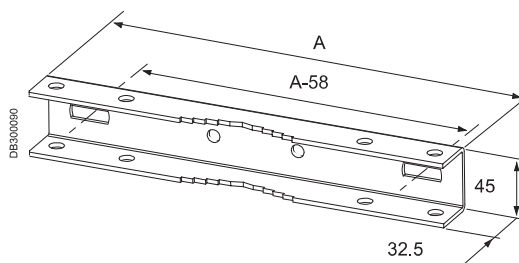
PE500156

### Post-fixing device for Spacial steel enclosure

For indoor installations on posts with a maximum circumference of 675 mm (minimum diameter 150 mm and maximum diameter 215 mm).

- Material: galvanised steel.
- Rail fixed to the inserts in the rear of the enclosure with 8-mm screws.
- Maximum load: 100 kg.
- They allow the mounting of protection canopies.
- For steel enclosures with widths of 300, 400, 500, 600 and 800 mm.

Description	A (mm)	Reference
Post-fixing for enclosure with W 300 mm	295	NSYSFPSC30
Post-fixing for enclosure with W 400 mm	395	NSYSFPSC40
Post-fixing for enclosure with W 500 mm	495	NSYSFPSC50
Post-fixing for enclosure with W 600 mm	595	NSYSFPSC60
Post-fixing for enclosure with W 800 mm	795	NSYSFPSC80



DE300091



Machining of your enclosure before painting with our customisation service.

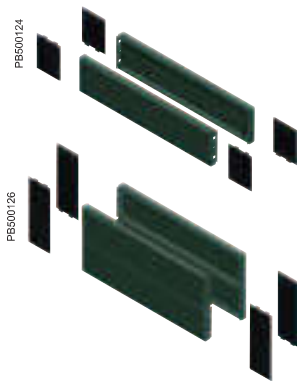
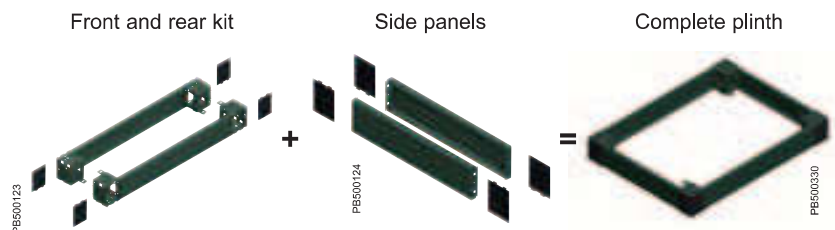
Specific

# Composition accessories

## Fixing accessories

### Plinth kit

The complete plinth consists of two elements: on the one hand, the front and rear kit, determined by the width of the enclosure and, on the other hand, the side panels determined by the depth of the enclosure.



### Plinth side panels for Spacial steel enclosure

They are fixed to the corners of the plinth by two fixing screws.

- Material: folded sheet steel.
- Finishes: epoxy-polyester resin paint, RAL 7022 grey colour.
- Protection degree: IP 30 for the complete plinth.
- Resistance to external mechanical impacts: IK10.
- Models with heights: 100 and 200 mm.
- For enclosure depths 300 and 400 mm:
  - Height 100 mm: 2 side panels, 4 corner covers and fixing elements.
  - Height 200 mm: 4 side panels (height of 100 mm, 2 for each side), 4 corner covers and fixing elements.

Nominal dimensions (mm)	Reference	
	100 mm	200 mm
Depth		
300	NSYSPS3100SD	NSYSPS3200SD
400	NSYSPS4100SD	NSYSPS4200SD



Order ref. **NSYAPFWM** when mounting the wall-mounting enclosure on a plinth.



### Front and rear plinth

Accessory shared with the Spacial SM floor-standing enclosure. Numerous options available: plain, ventilated, with cable gland. See page 137.

Nominal dimensions (mm)	Reference	
	100 mm	200 mm
Width		
600	NSYSPF6100	NSYSPF6200
800	NSYSPF8100	NSYSPF8200
1000	NSYSPF10100	NSYSPF10200
1200	NSYSPF12100	NSYSPF12200



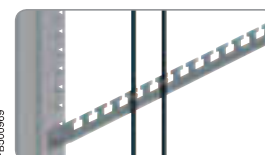
See also the accessories



Accessories for cable entries page 85



Cable-support accessories page 446



Cable-management accessories page 420



# Composition accessories

## Fixing accessories



PB500453

### Floor Stand Kit for wall-mounting enclosure

- Set of 2 feet, elevating wall-mounting enclosures.
- Cut-outs needed on enclosure – drilling template provided with the kit.
- Made of steel: thickness of 2,5 mm for the sides and 3 mm for the base.
- Coating: RAL 7035 gray polyester-powder finish.
- Maximum load: 250 kg.



Supply: 2 platform feet (right and left) and fixing elements.

Enclosure depth		Foot height		Reference
mm	inches	mm	inches	
300*	12	300	12	<b>NSYWWMK33</b>
400**	16	300	12	<b>NSYWWMK43</b>
300*	12	450	18	<b>NSYWWMK34</b>
400**	16	450	18	<b>NSYWWMK44</b>

\* When enclosures are equipped with a cable gland plate, it only fits with enclosures of width 800, 1000 & 1200 mm, except model H 600 x W 800 x D 300 mm.

\*\* When enclosures are equipped with a cable gland plate, it does not fit with enclosures of width 600 mm.



PB500454



Compatible with Spacial S3D, S3DC & CRNG enclosures.

# Composition accessories

## Coupling accessories



PB5000335

Installation example.

### Coupling of Spacial steel enclosures

Available in 2 versions:

- Coupling version without cable entry.
- Version with coupling frame allowing the entry of cables.
- Separation of 17 mm between 2 coupled enclosures, allowing full opening of the doors.

#### Kit for fixing 2 joined enclosures

- Kit made up of 4 spacers and their fixings.

#### Coupling frame

- Allows lateral coupling of 2 enclosures.
- Frame made from polyester charged with fibreglass, self-extinguishing.
- A built-in sealing gasket guarantees the protection degree of IP 66.
- Mounting by screws, included.
- Dimensions: 435 x 185 mm and 635 x 185 mm.

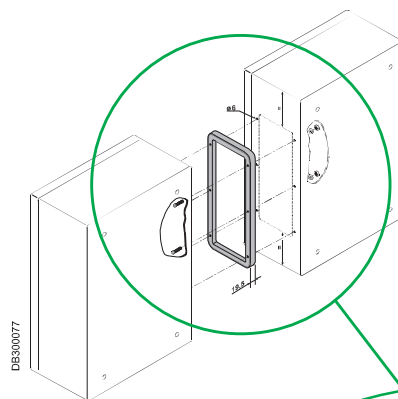
These frames allow the door to open to 120°.

Description	Reference
Batch of 4 coupling spacers	NSYAEUBUSC
Coupling frame, 435 x 185 mm	NSYAEUBU41SC
Coupling frame, 635 x 185 mm	NSYAEUBU61SC



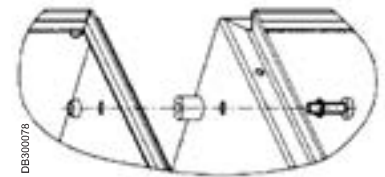
PB5000336

Version without cable entry.



DE300077

Version with cable entry.



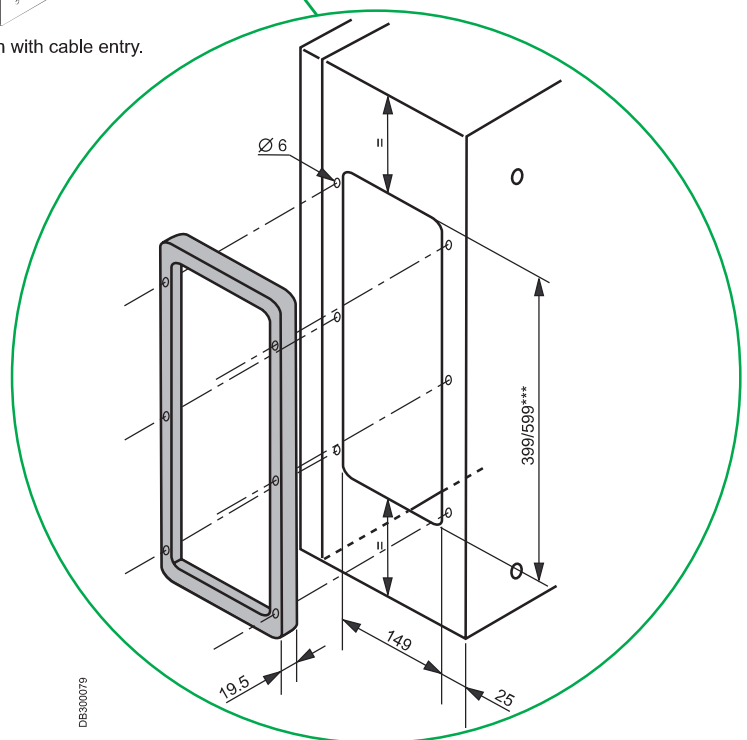
DB300079

Version without cable entry.



PB5000337

Version with cable entry.



DB300079



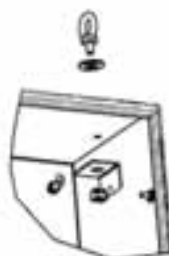
PE500038

### Eyebolts

Set of two M8 eyebolts.

- Material: zinc-coated moulded steel.
- They are fixed directly to the body of the floor-standing enclosure.
- Maximum load to be installed: 210 kg per enclosure when slinging at 60°.
- Cannot be installed with the canopy in place.
- Reinforcing brackets attached to the rings,
- These brackets also act as a drilling template.
- Have your cut-outs made by our configured service.
- Paint touch-up pen, page 483.

Description	Reference
Batch of 2 M8 eyebolts	<b>NSYAELYTCRG8</b>



DE300081



PE500039

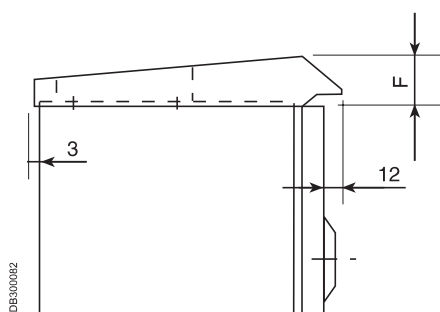
### Protection canopy

Direct fixing to the body of the enclosure by 4 M6 screws.

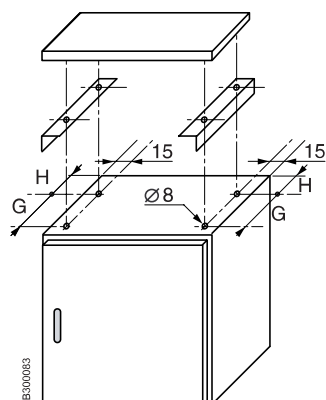
- Material: sheet steel made from painted galvanised steel, structured finish, epoxy-polyester powder, RAL 7035 grey colour.
- Delivered with the fixings required for installation.
- To be used for all outdoor installations.
- Have your cut-outs made by our configured service.
- Paint touch-up pen, page 483.

For enclosure		F	G	H	Reference
Width	Depth				
200	150	36	75	23	<b>NSYTJ2015</b>
250	150	36	75	23	<b>NSYTJ2515</b>
300	150	36	75	23	<b>NSYTJ3015</b>
400	150	36	75	23	<b>NSYTJ4015</b>
500	150	36	75	23	<b>NSYTJ5015</b>
500	200	36	130	23	<b>NSYTJ5020</b>
600	200	36	130	23	<b>NSYTJ6020</b>
250	200	36	130	23	<b>NSYTJ2520</b>
300	200	36	130	23	<b>NSYTJ3020</b>
400	200	36	130	23	<b>NSYTJ4020</b>
800	200	36	130	23	<b>NSYTJ8020</b>
400	250	42	150	48	<b>NSYTJ4025</b>
500	250	42	150	48	<b>NSYTJ5025</b>
600	250	42	150	48	<b>NSYTJ6025</b>
800	250	42	150	48	<b>NSYTJ8025</b>
600	300	42	200	48	<b>NSYTJ6030</b>
800	300	42	200	48	<b>NSYTJ8030</b>
1000	300	42	200	48	<b>NSYTJ10030</b>
1200	300	42	200	48	<b>NSYTJ12030</b>
600	400	42	300	48	<b>NSYTJ6040</b>
800	400	42	300	48	<b>NSYTJ8040</b>
1000	400	42	300	48	<b>NSYTJ10040</b>
1200	400	42	300	48	<b>NSYTJ12040</b>

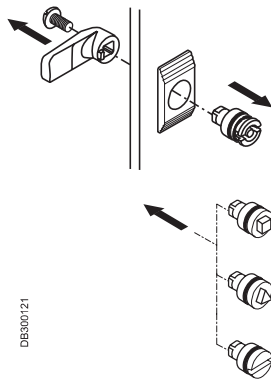
Dimensions and cut-outs.



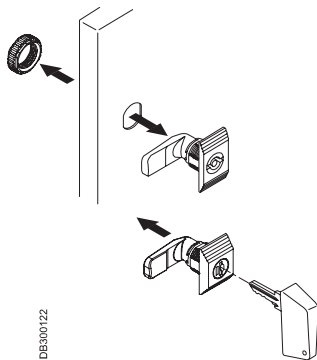
DE300082



DE300083



Insert change.



Lock change.



**NSYCBCCRN**


Ø 10 mm

### Lock for Spacial CRN enclosure

**NSYCDB3** 3 mm Ø standard double-bar lock.


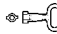

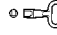

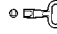

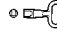

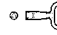

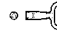

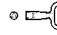

By fixing the wing nut to the lock, the double-bar lock becomes a handle lock.

• Operation using:

– Wing key ref.: **NSYDBP** .

– Key **NSYLDB5**.

(according to DIN 43668) .

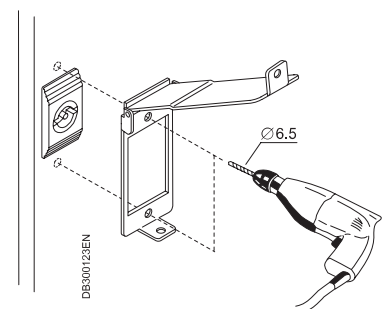
Type of lock	Insert reference	Key reference
 3 mm double bar	<b>NSYTDBC RN*</b>	 <b>NSYLDB5</b>
 6 mm	<b>NSYTC6CRN</b>	 <b>NSYLC7</b>
 7 mm	<b>NSYTC7CRN</b>	 <b>NSYLC7</b>
 8 mm	<b>NSYTC8CRN</b>	 <b>NSYLC8</b>
 6.5 mm	<b>NSYTT6CRN</b>	 <b>NSYLT8</b>
 7 mm	<b>NSYTT7CRN</b>	 <b>NSYLT8</b>
 8 mm	<b>NSYTT8CRN</b>	 <b>NSYLT8</b>
 Screw driver lock	<b>NSYAEDLSD</b>	

\*Delivered with 1 metal key

Complete manual handle lock, operated with key 405	<b>NSYCL405CRN</b>	
Complete manual handle lock, operated with key 220	<b>NSYCL220CRN</b>	
Complete metal lock, operated with key 405	<b>NSYCLL405CRN</b>	
Stainless-steel padlock	<b>NSYKPLM</b>	
Padlock	<b>NSYCBCCRN</b>	



**NSYKPLM**. Ø 8 mm.



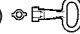
**NSYKPLM** padlock assembly.




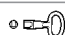
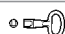
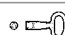
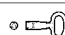


PB500392

## Lock for Spacial CRNG enclosure (three-point lock)

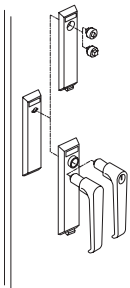
Standard 5 mm double-bar lock for CRNG models.

- Operation using:
  - Key **NSYLDB5**, (according to DIN 43668) 

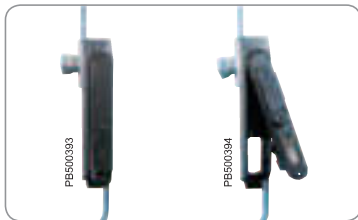
Transformation of the standard lock to standardised variations in enclosures with three-point locks.

Type of insert	Insert reference	Key reference*
<input type="checkbox"/> 6 mm square	<b>NSYTC6ML</b>	 <b>NSYLC7</b>
<input type="checkbox"/> 7 mm square	<b>NSYTC7ML</b>	 <b>NSYLC7</b>
<input type="checkbox"/> 8 mm square	<b>NSYTC8ML</b>	 <b>NSYLC8</b>
<input type="checkbox"/> 7 mm side triangle	<b>NSYTT7ML</b>	 <b>NSYLT8</b>
<input type="checkbox"/> 8 mm side triangle	<b>NSYTT8ML</b>	 <b>NSYLT8</b>
Handle lock	<b>NSYTSML</b>	
Handle lock operated using key 405 (included)	<b>NSYTL405SML</b>	

\*Insert without keys (unless indicated).



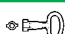


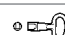
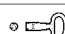
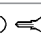

DB300124



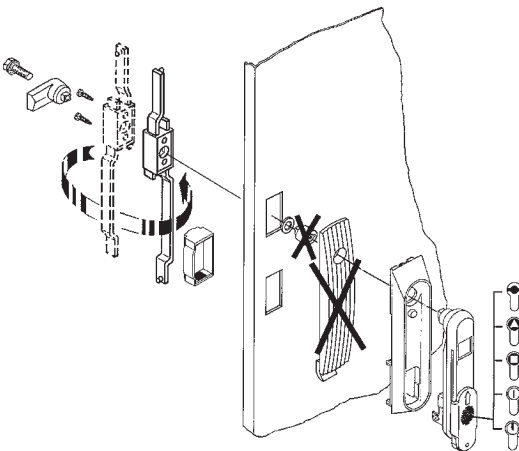
PB500393

PB500394

Transformation of the standard lock to a retractable three-point lock with various types of inserts.

Type of insert	Insert reference	Key reference*
Key operated bar lock	<b>NSYTEDB5ML</b>	 <b>NSYLDB5</b>
<input type="checkbox"/> 7 mm square lock	<b>NSYTEC7ML</b>	 <b>NSYLC7</b>
<input type="checkbox"/> 8 mm square lock	<b>NSYTEC8ML</b>	 <b>NSYLC8</b>
<input type="checkbox"/> 7 mm side triangle lock	<b>NSYTET7ML</b>	 <b>NSYLT8</b>
<input type="checkbox"/> 8 mm side triangle lock	<b>NSYTET8ML</b>	 <b>NSYLT8</b>
Lock operated with key type 405	<b>NSYTEL405ML</b>	
Lock operated with reinforced key	<b>NSYTERML</b>	

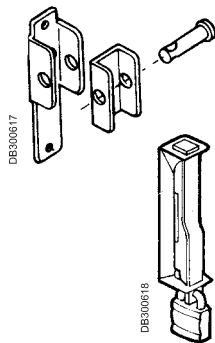
\*Insert without keys (unless indicated).



DB300745

## Padlocking accessories

- Padlocking system, ref. **NSYBCPL**, positioned around the long rectangular escutcheon of the enclosures, to block access to the lock; for a Ø 9 mm padlock.
- Padlocking system, ref. **NSYBCME**, to block access to the retractable handle, for a Ø 9 mm padlock.



DB300617

DB300618

# Cable management

## Cable entries for Spacial CRN



PB50M0395

### Standard cable-gland plate

- Made from steel painted RAL 7035. Included as a standard with the Spacial CRN enclosure.
- Fixing with screws.

The cable-gland plate for Spacial CRN is fixed by screws and guarantees water and dust tightness.

- It is flattened with the body.
- It is delivered with a separate seal: it allows easy cut-outs with no risk of damaging the seal and can be easily repainted.

Width	Depth	To be coupled with entry	References
200	150	0	NSYTLCRNO
250	150/200	A	NSYTLCRNA
300	200	B	NSYTLCRNB
400/500	150	B	NSYTLCRNB
400	200/250	C	NSYTLCRNC
500/600	200/250/300	D	NSYTLCRND
800	200/250/300	E*	NSYTLCRNC

\* Enclosure with 2 entries.



PB5000327

### Cable-gland plate with FL cut-outs

- Made from steel painted with RAL 7035. Includes cut-outs for FL13 and FL21 according to the dimension.
- Fixing with screws.

Width	Depth	To be coupled with entry	References
250	150/200	A	NSYTFL13CRNA
300	200	B	NSYTFL13CRNB
400/500	150	B	NSYTFL13CRNB
400	200/250	C	NSYTFL21CRNC
500/600	200/250/300	D	NSYTFL21CRND
800	200/250/300	E*	NSYTFL21CRNC

\* Enclosure with 2 entries



See also the accessories



PB5000605

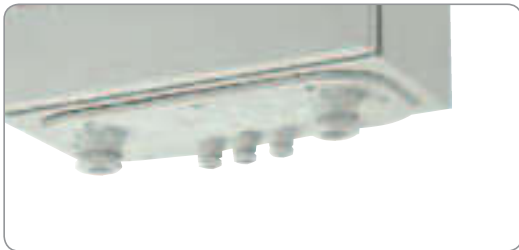
FL21-type membranes page 426

# Cable management

## Cable entries for Spacial CRN

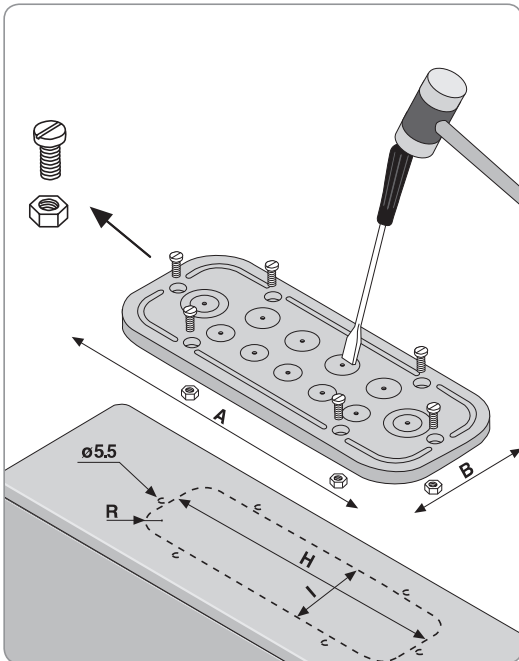


PB5000396



PB5000397

Example of use.



DB300128EN

### Insulated cable-gland plate

Made from self-extinguishing ABS with 30% fibreglass material. Colour RAL 7035.

- Pre-marked holes with diameter Pg for coupling of cable glands, membrane glands, tubes, etc.
- With a polyurethane sealing gasket.
- Excellent thermal resistance.
- Pre-marked holes for cable entry plates.

Width	Depth	To be coupled with entry	Fig.	References
250	150/200	A	1	NSYTSACRNA
300	200	B	2	NSYTSACRNB
400/500	150	B	3	NSYTSACRNB
400	200/250	C	3	NSYTSACRNC
500/600	200/250/300	D	4	NSYTSACRND
800	200/250/300	E*	3	NSYTSACRNC

See cable entry on page 428.

\* For type E cable entry, use two NSYTSACRNC.

Fig. 1

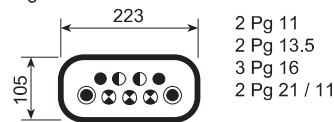


Fig. 2

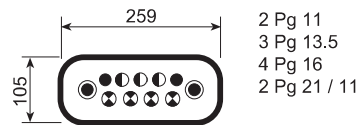


Fig. 3

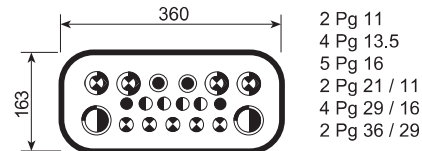
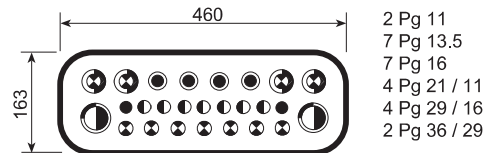


Fig. 4



- Pg 11 (18.6 mm)
- ◐ Pg 13.5 (20.4 mm)
- ⊗ Pg 16 (22.5 mm)
- ◑ Pg 21 / 11 (28.3 / 18.6 mm)
- ⊗ Pg 29 / 16 (37 / 22.5 mm)
- ◑ Pg 36 / 29 (47 / 37 mm)

# Cable management

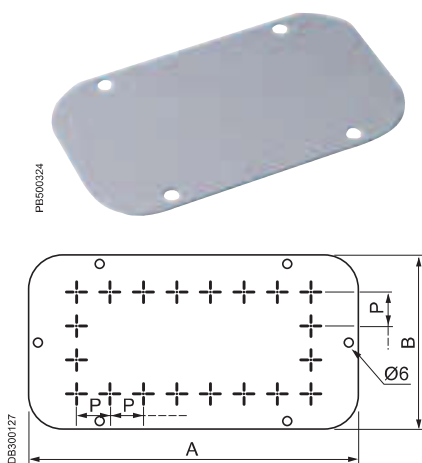
## Cable entries for Spacial CRNG enclosures

### Standard cable entries

- Made from steel painted with textured RAL 7035 epoxy-polyester resin.
- Standard supply with the Spacial CRNG enclosures.
- Surface with a grid pattern in 25 mm intervals to facilitate perforation. Fixing with screws.

Dimensions A x B	Width	Depth	To be coupled with entry	References
345 x 130	800	300/400	H*	NSYTL D
445 x 130	1000/1200	300/400	H*	NSYTL E
495 x 220	600	400	G	NSYTL G

\* 2 entries.



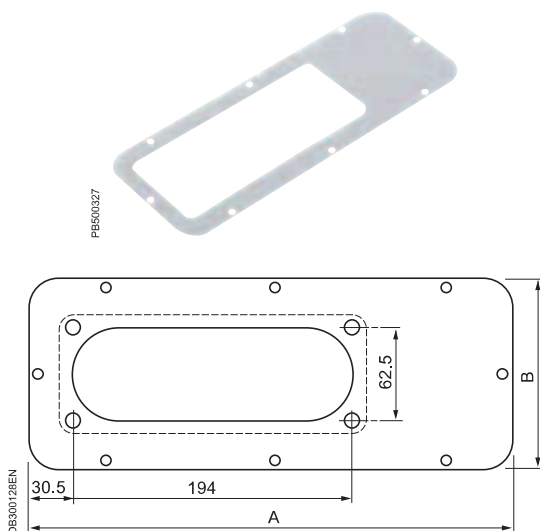
### Cable entries for membrane glands

- Made from steel painted with textured RAL 7035 epoxy-polyester resin.
- The membranes are built to accommodate water and dust tight cable entries in insulated material (flame classification V0), guaranteeing IP 65 (to be ordered separately).
- Fixing with screws.

Dimensions A x B	To be coupled with entry	Width	Depth	References**
345 x 130	H*	800	300/400	NSYTL DFL
445 x 130	H*	1000/1200	300/400	NSYTL EFL
495 x 220	G	600	400	NSYTL G2FL

\* 2 entries.

\*\* FL21 cut-outs.







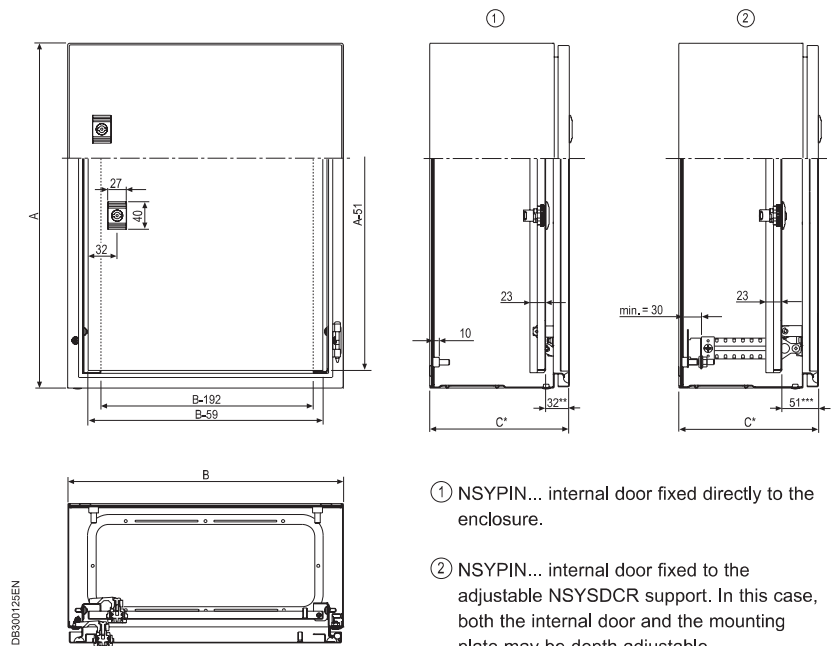
### Internal door

- Sheet-steel door, RAL 7035 grey colour.
- 3-mm double-bar lock.
- The internal door can be mounted either on the front face of the enclosure or on step slides (not supplied as standard).
- Maximum load: 30 kg/m<sup>2</sup>.
- To mount an inner door and a mounting plate at the same time on the step slides, is possible as standard.
- Not compatible with mounting with door stop and door contact. Consult us.

Dimensions	References
H 400 x W 300 mm	<b>NSYPIN43</b>
H 500 x W 400 mm	<b>NSYPIN54</b>
H 600 x W 400 mm	<b>NSYPIN64</b>
H 700 x W 500 mm	<b>NSYPIN75</b>
H 800 x W 600 mm	<b>NSYPIN86*</b>
H 1000 x W 600 mm	<b>NSYPIN106*</b>
H 1000 x W 800 mm	<b>NSYPIN108*</b>
H 1200 x W 600 mm	<b>NSYPIN126</b>
H 1200 x W 800 mm	<b>NSYPIN128*</b>

\*Equipped with welded vertical profiles in order to facilitate cable management.

### Dimensions



① NSYPIN... internal door fixed directly to the enclosure.

② NSYPIN... internal door fixed to the adjustable NSYSDCR support. In this case, both the internal door and the mounting plate may be depth adjustable.

\*Dimension C according to general table on page 70.

\*\*Except H 1200 x W 600: 38,3.

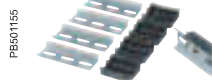
\*\*\*Except H 1200 x W 600: 59 and H 1200 x W 800: 52.



See also the accessories



Cable-duct support diameter 22 see page 447



DIN rail support see page 365

