

# NEOZED D0 fuse-bases 400VAC

## IEC D0 & D Fuse Bases

The D0 fuse-system is installed in low voltage distribution units, where fuse-links are accessible to non trained persons and can also be replaced by them.

This system is the newest generation of screw fuse-system in the german DIN standard and is designed for 400VAC/250VDC networks.

The D0 fuse-bases are available in the sizes D01, D02 and D03.

D0 fuse-bases are used in combination with D0 fuse-links for the protection of cables and power lines. D0 fuse-links limit and cut-off unacceptable overcurrents and short circuit currents up to their nominal breaking capacity. They also protect equipments and installations against dynamic effects of high short circuit currents.

### Features & Benefits

- Insulated body suitable for high mechanical and thermal impacts
- Top and bottom contacts made of nickel plated copper alloy
- Safe cut-off short circuits and over currents due to special design of fuse element
- Clear indication of operation condition due coloured indicator un top contact
- Low power dissipation
- Optimized size
- Resistant to aging

### Applications

- House incoming units
- Meter distribution units
- Distribution cabinets
- Installation cabinets
- Fuse boxes

### Technical data overview

Voltage Range AC	400 ... 440 VAC
Ampere Range (A)	16 ... 100 A
Product Size	D01 to D03



### Standards

DIN VDE 0636-3

DIN EN 60715



# NEOZED D0 fuse-bases 400VAC

## Product range



01720.170000

### Size D01 (E14) with touch protection, DIN rail mounting

Catalog number	Reference number	Rated voltage AC (IEC)	Rated current I <sub>n</sub>	Connection	Number of poles/phases	Cable termination	Weight	Package
01720.170000	B211463	400 V	16 A	Cross section 1,5 to 4 mm <sup>2</sup>	1	1	76.7 g	20
01720.370000	T215550	400 V	16 A	Cross section 1,5 to 4 mm <sup>2</sup>	1	3	69.5 g	20
01730.172000	A219144	400 V	16 A	Cross section 1,5 to 4 mm <sup>2</sup>	3	1	217 g	5



01720.150000

### Size D01 (E14) without touch protection, DIN rail mounting

Catalog number	Reference number	Rated voltage AC (IEC)	Rated current I <sub>n</sub>	Connection	Number of poles/phases	Cable termination	Weight	Package
01720.150000	J200660	400 V	16 A	Cross section 1,5 to 4 mm <sup>2</sup>	1	1	68 g	20
01730.152000	B216063	400 V	16 A	Cross section 1,5 to 4 mm <sup>2</sup>	3	1	41 g	5



01720.150040

### Size D01 (E14) without touch protection, Marine, DIN rail mounting

Catalog number	Reference number	Rated voltage AC (IEC)	Rated current I <sub>n</sub>	Connection	Number of poles/phases	Cable termination	Weight	Package
01720.150040	D201207	440 V	16 A	Cross section 1,5 to 4 mm <sup>2</sup>	1	1	3.4 g	20
01730.152040	C216570	440 V	16 A	Cross section 1,5 to 4 mm <sup>2</sup>	3	1	41.8 g	5



01720.100000

### Size D01 (E14) without touch protection, screw mounting

Catalog number	Reference number	Rated voltage AC (IEC)	Rated current I <sub>n</sub>	Connection	Number of poles/phases	Cable termination	Weight	Package
01720.100000	Z216061	400 V	16 A	Cross section 1,5 to 4 mm <sup>2</sup>	1	1	3.2 g	20
01730.100000	K200661	400 V	16 A	Cross section 1,5 to 4 mm <sup>2</sup>	3	1	40 g	5



01721.270000

### Size D02 (E18) with touch protection, DIN rail mounting

Catalog number	Reference number	Rated voltage AC (IEC)	Rated current I <sub>n</sub>	Connection	Number of poles/phases	Cable termination	Weight	Package
01721.270000	M200663	400 V	63 A	Cross section 1,5 to 25 mm <sup>2</sup>	1	2	89.5 g	20
01721.470000	K218624	400 V	63 A	Cross section 1,5 to 25 mm <sup>2</sup>	1	4	93 g	20
01731.272000	E222874	400 V	63 A	Cross section 1,5 to 25 mm <sup>2</sup>	3	2	278 g	5
01731.472000	K213518	400 V	63 A	Cross section 1,5 to 25 mm <sup>2</sup>	3	4	246 g	5



01721.450000

### Size D02 (E18) without touch protection, DIN rail mounting

Catalog number	Reference number	Rated voltage AC (IEC)	Rated current I <sub>n</sub>	Connection	Number of poles/phases	Cable termination	Weight	Package
01721.250000	J218623	400 V	63 A	Cross section 1,5 to 25 mm <sup>2</sup>	1	2	72 g	20
01721.450000	W215552	400 V	63 A	Cross section 1,5 to 25 mm <sup>2</sup>	1	4	72 g	20
01731.252000	Y217601	400 V	63 A	Cross section 1,5 to 25 mm <sup>2</sup>	3	2	252 g	5
01731.452000	M211979	400 V	63 A	Cross section 1,5 to 25 mm <sup>2</sup>	3	4	46.2 g	5

### Size D02 (E18) without touch protection, Marine, DIN rail mounting

Catalog number	Reference number	Rated voltage AC (IEC)	Rated current I <sub>n</sub>	Connection	Number of poles/phases	Cable termination	Weight	Package
01721.250040	M222122	440 V	63 A	Cross section 1,5 to 25 mm <sup>2</sup>	1	2	4 g	20
01721.450040	C216064	440 V	63 A	Cross section 1,5 to 25 mm <sup>2</sup>	1	4	3.7 g	20
01731.252040	A218109	440 V	63 A	Cross section 1,5 to 25 mm <sup>2</sup>	3	2	50 g	5
01731.452040	C212499	440 V	63 A	Cross section 1,5 to 25 mm <sup>2</sup>	3	4	234 g	5

# NEOZED D0 fuse-bases 400VAC

## Product range



01721.200000

### Size D02 (E18) without touch protection, screw mounting

Catalog number	Reference number	Rated voltage AC (IEC)	Rated current I <sub>n</sub>	Connection	Number of poles/phases	Cable termination	Weight	Package
01721.200000	M214532	400 V	63 A	Cross section 1,5 to 25 mm <sup>2</sup>	1	2	71.5 g	20
01721.400000	F213008	400 V	63 A	Cross section 1,5 to 25 mm <sup>2</sup>	1	4	72 g	20
01731.200000	F216573	400 V	63 A	Cross section 1,5 to 25 mm <sup>2</sup>	3	2	240 g	5
01731.400000	K206365	400 V	63 A	Cross section 1,5 to 25 mm <sup>2</sup>	3	4	9 g	5



01722.470000

### Size D03 (M30x2) with touch protection, screw mounting

Catalog number	Reference number	Rated voltage AC (IEC)	Rated current I <sub>n</sub>	Connection	Number of poles/phases	Cable termination	Weight	Package
01722.470000	F216067	400 V	100 A	Cross section 10 to 50 mm <sup>2</sup>	1	4	220 g	10



01722.450000

### Size D03 (M30x2) without touch protection, DIN rail mounting

Catalog number	Reference number	Rated voltage AC (IEC)	Rated current I <sub>n</sub>	Connection	Number of poles/phases	Cable termination	Weight	Package
01722.450000	Q214535	400 V	100 A	Cross section 10 to 50 mm <sup>2</sup>	1	4	200 g	10



01722.400000

### Size D03 (M30x2) without touch protection, screw mounting

Catalog number	Reference number	Rated voltage AC (IEC)	Rated current I <sub>n</sub>	Connection	Number of poles/phases	Cable termination	Weight	Package
01722.400000	J213011	400 V	100 A	Cross section 10 to 50 mm <sup>2</sup>	1	4	194 g	10

### Size D01-D03 general fuse-bases with cover cap

Catalog number	Reference number	Size	Rated voltage AC (IEC)	Rated current I <sub>n</sub>	Connection	Number of poles/phases	Cable termination	Weight	Package
01722.480000	H219680	D03	400 V	100 A	Cross section 10 to 50 mm <sup>2</sup>	1	4	260 g	10

### Size D01-D03 general fuse-bases with cover cap, screw mounting

Catalog number	Reference number	Size	Rated voltage AC (IEC)	Rated current I <sub>n</sub>	Connection	Number of poles/phases	Cable termination	Weight	Package
01722.430000	K214024	D03	400 V	100 A	Cross section 10 to 50 mm <sup>2</sup>	1	4	254 g	10



01738.250000

### Size D02 triple-pole fuse-bases without touch protection

Catalog number	Reference number	Rated voltage AC (IEC)	Rated current I <sub>n</sub>	Connection	Number of poles/phases	Cable termination	Weight	Package
01738.250000	B218110	400 V	63 A	Cross section 1,5 to 25 mm <sup>2</sup>	1	2	42.6 g	5

#### snap-on fixing

01738.250000	B218110	400 V	63 A	Cross section 1,5 to 25 mm <sup>2</sup>	1	2	42.6 g	5
--------------	---------	-------	------	---	---	---	--------	---

#### screw-on fixing

01738.200000	Z217602	400 V	63 A	Cross section 1,5 to 25 mm <sup>2</sup>	1	2	41.6 g	5
--------------	---------	-------	------	---	---	---	--------	---

# NEOZED D0 fuse-bases 400VAC

## Product range



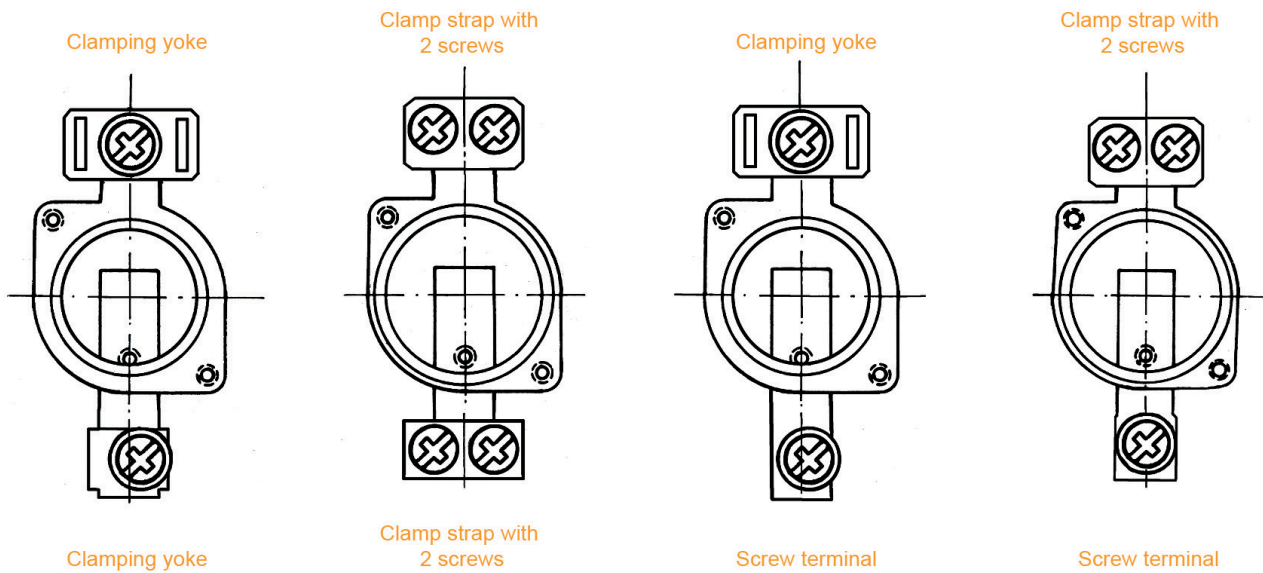
01732.700000

### Size D01-D03 cover caps for touch protection

Catalog number	Reference number	Size	Number of poles/phases	Weight	Package
<b>Base Size D01/D02, triple-pole (standard), write on</b>					
01732.700000	M216579	D01/02	3	22.7 g	20
<b>Base Size D01/D02, single-pole (standard), write on</b>					
01718.700000	V200670	D01/02	1	9.6 g	50
<b>Base Size D03, single-pole</b>					
01728.000000	V211986	D03	1	20.5 g	40

## Dimensions

### Terminal Type

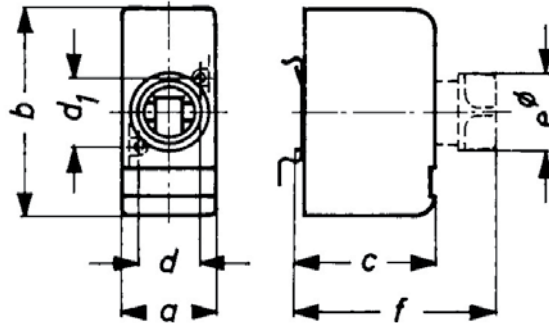
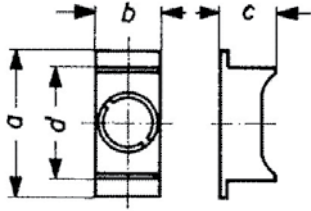


# NEOZED D0 fuse-bases 400VAC

## Dimensions

### NEOZED protection-cover

### NEOZED fuse-bases single pole



Article Number	a	b	c
01718.008000	60	26,8	23
01718.008000	71	26,8	23
01728.000000	60	44	18
01732.700000	71	81	23

Dimensions in mm

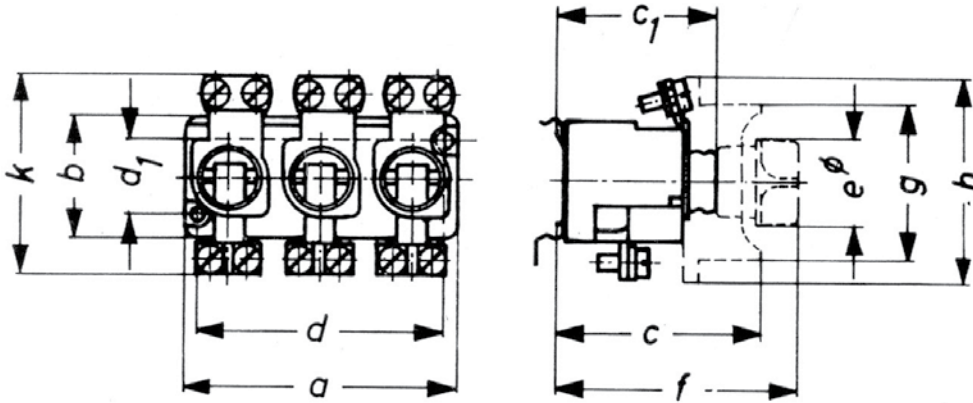
Article Number	a	b	c	d	d1	e $\varnothing$	f
01722.430000	50	105	48	32	32	40	74
01722.480000	50	105	50	32	32	40	76

Dimensions in mm

# NEOZED D0 fuse-bases 400VAC

## Dimensions

### NEOZED fuse-bases

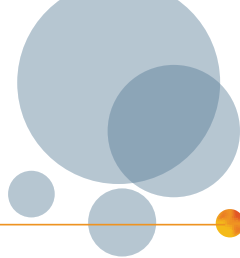


Article Number	a	b	c	c1	d	d1	eØ	f	g	h	k
01720.100000	26	36	-	39,5	20	22	25,5	64	34Ø	-	50,5
01721.200000	26	36	-	39,5	20	22	25,5	64	34Ø	-	57,5
01721.400000	26	36	-	39,5	20	22	25,5	64	34Ø	-	57,5
01722.400000	44	50	-	44	32	32	40	74	52Ø	-	86
01730.100000	81	36	-	39,5	74	22	25,5	64	-	-	50,5
01731.200000	81	36	-	39,5	74	22	25,5	64	-	-	57,5
01731.400000	81	36	-	39,5	74	22	25,5	64	-	-	57,5
01720.150000	26	36	-	41,5	20	22	25,5	66	34Ø	-	50,5
01721.250000	26	36	-	41,5	20	22	25,5	66	34Ø	-	57,5
01721.450000	26	36	-	41,5	20	22	25,5	66	34Ø	-	57,5
01722.450000	44	50	-	46	32	32	40	76	52Ø	-	86
01720.170000	27	36	57	41,5	20	22	25,5	66	45	71	50,5
01721.270000	27	36	57	41,5	20	22	25,5	66	45	71	57,5
01721.470000	27	36	57	41,5	20	22	25,5	66	45	71	57,5
01722.470000	44	50	54,5	46	32	32	40	76	45	71	86
01730.152000	81	36	-	41,5	74	22	25,5	66	-	-	50,5
01731.252000	81	36	-	41,5	74	22	25,5	66	-	-	57,5
01731.452000	81	36	-	41,5	74	22	25,5	66	-	-	57,5
01730.172000	81	36	57	41,5	74	22	25,5	66	45	71	50,5
01731.272000	81	36	57	41,5	74	22	25,5	66	45	71	57,5
01731.472000	81	36	57	41,5	74	22	25,5	66	45	71	57,5

Dimensions in mm

# NEOZED D0 fuse-bases 400VAC

## Accessories



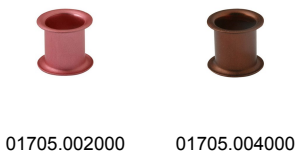
### D0 screw caps 400V AC synthetic

Catalog number	Reference number	Description	Weight	Package
01714.000200	E212501	D01, E14, 16A, with testing hole	11.8 g	20
01715.000200	P211981	D02, E18, 63A, with testing hole	11.6 g	20
11714.000220	R214536	D01, E14, 16A, with sealing and testing hole	11.6 g	20
11715.000220	S214537	D02, E18, 63A, with sealing and testing hole	11.6 g	20
01715.000000	L206435	D02, E18, 63A, without testing hole	12 g	20
01715.890200	M214026	D02, E18, 63A, with adapter insert for fuse links size D01	12.4 g	20
01716.333000	F200726	Screw cap wrench, with bottle opener	30 g	1



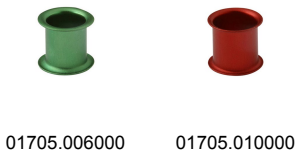
### D0 screw caps 400/440 VAC, 250 V DC porcelain, with removal grips

Catalog number	Reference number	Description	Weight	Package
01711.000200	T215044	D02, E18, 63A, with testing hole	18.5 g	20
01712.000200	V215045	D03, M30x2, 100A, with testing hole	84 g	10
01770.000200	F1033740	D01, E14, 16A, with testing hole	16.4 g	20



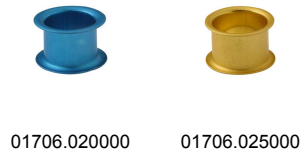
### D0 cartridge ring adapter inserts      D01 E14

Catalog number	Reference number	Description	Weight	Package
01705.002000	J216576	2A, pink	0.4 g	50
01705.004000	J219681	4A, brown	0.4 g	50
01705.006000	P206438	6A, green	0.4 g	50
01705.010000	M213014	10A, red	0.4 g	50
01708.000000	J212505	Screw removal and insertion key to remove and insert cartridge ring adapter inserts size D01-D03	19.7 g	1



# NEOZED D0 fuse-bases 400VAC

## Accessories



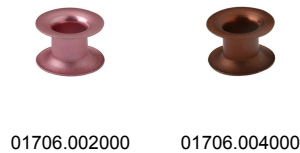
01706.020000

01706.025000



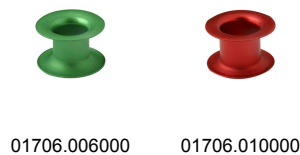
01706.035000

01706.050000



01706.002000

01706.004000



01706.006000

01706.010000



01706.016000



01707.080000



01714.800000

01714.830000

01714.820000

### D0 cartridge ring adapter inserts D02 E18

Catalog number	Reference number	Description	Application	Weight	Package
01706.020000	S200668	20A, blue	-	0.5 g	50
01706.025000	R213524	25A, yellow	-	0.6 g	50
01706.035000	J216070	35A, black	-	0.5 g	50
01706.050000	R218630	50A, white	-	0.7 g	50
01706.002000	K216577	2A, pink	For D01 fuse links in D02 fuse bases	0.5 g	50
01706.004000	S222127	4A, brown	For D01 fuse links in D02 fuse bases	0.6 g	50
01706.006000	R211983	6A, green	For D01 fuse links in D02 fuse bases	0.6 g	50
01706.010000	H216069	10A, red	For D01 fuse links in D02 fuse bases	0.6 g	50
01706.016000	Q218629	16A, grey	For D01 fuse links in D02 fuse bases	0.5 g	50

### D0 cartridge ring adapter inserts D03 M30x2

Catalog number	Reference number	Description	Weight	Package
01707.080000	T200669	80A, silver	1.6 g	20

### Locking devices

Catalog number	Reference number	Description	Weight	Package
01714.800000	D212546	Locking cap for D01 E14 fuse-bases for authorized personal only (EVU)	12.2 g	5
01714.810000	P213062	Locking cap for D01 E14 fuse-bases	12.4 g	5
01714.820000	K213564	Special key for locking caps for authorized personal only (EVU)	32.5 g	1
01714.830000	J214069	Special key for locking caps	32.9 g	1
01715.800000	R214582	Locking cap for D02 E18 fuse-bases for authorized personal only (EVU)	14 g	5
01715.810000	Y215094	Locking cap for D02 E18 fuse-bases	13.7 g	5



# NEOZED D0 fuse-bases 400VAC

## Accessories



01707.000000



01713.000000

### Adapter inserts

Catalog number	Reference number	Description	Weight	Package
01707.000000	T211985	Adapter (space holder) for Size D02 fuse-links in Size D03 bases	17.4 g	30
01709.000000	P214028	Adapter for Size D02 fuse-links in Size D03 bases	1.3 g	25
01713.000000	Z215049	Adapter for Size D01 fuse-links in Size D02 bases	0.9 g	50
01733.000000	J218117	Adapter for Size D01 fuse-links in DL-bases	0.2 g	100