

> LIGHT FITTINGS



> REFERENCE STANDARDS


EN 60598-1
Luminaires
Part 1: general requirements and tests

EN 60598-2-1
Luminaires
Part 2: specific requirements
Section 1: fixed general purpose luminaires


> QUALITY MARKS



> VERSIONS



For incandescent lamps - 60W 250V~
- Thermoplastic diffuser - IP44
- Polycarbonate diffuser - IP44 or IP55



For indicating working areas
- Polycarbonate diffuser - IP44

> TECHNICAL CHARACTERISTICS

Protection degree:	IP44 - IP55
Operating temperature according to the reference standard:	Thermoplastic diffuser: -5°C +35°C Polycarbonate diffuser: -15°C +35°C
Glow Wire test:	650°C
Material:	Engineering plastic
IK degree at 20°C:	IK04 - IK07
Cable inlets:	PG11 - PG13
Double insulation <input checked="" type="checkbox"/> :	Yes (classe II)
Lampholder type:	E27 - B22
Installation on inflammable surface:	Yes

> BEHAVIOUR WITH CHEMICAL AND ATMOSPHERIC AGENTS

Saline solution	Acids		Bases		Solvents				Mineral oil	UV rays
	Concentrated	Diluted	Concentrated	Diluted	Hexane	Benzol	Acetone	Alcohol		
Resistant	Limited Resistance	Resistant	Limited Resistance	Limited Resistance	Limited Resistance	Not Resistance	Not Resistance	Resistant	Limited Resistance	Resistant

> APPLICATION EXAMPLES

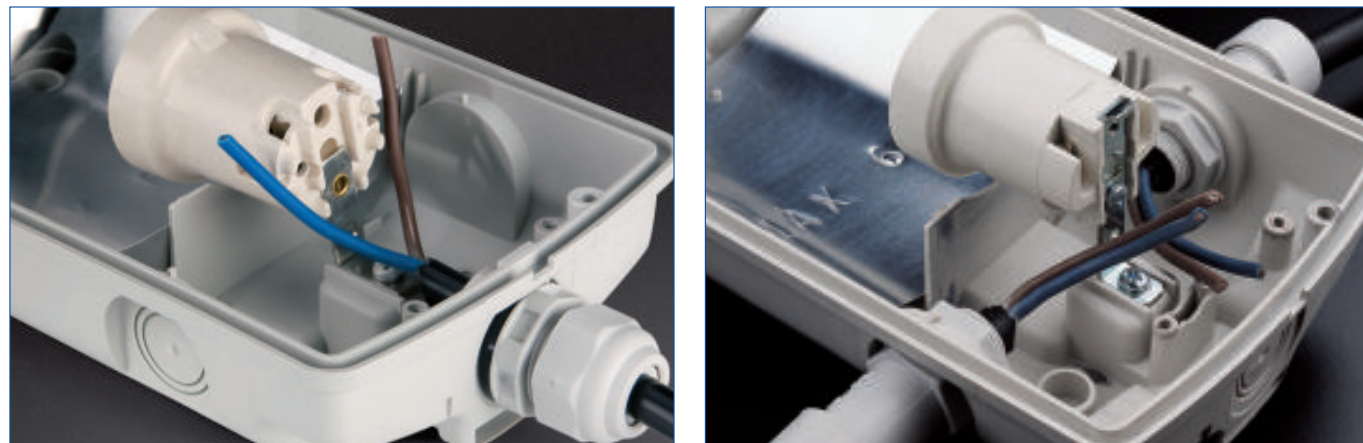


> CABLE INLET



Five knockouts for PG11/PG13.5 cable inlets located around the four sides and on the base provide a wide range of installation options: with cable sleeve, with cable gland or with couplings between Ø 16 mm rigid

or flexible conduit and box. A flexible conduit for flush mounting and power supply from the rear of the base can also be installed.



This layout of knockout cable inlets allows a number of different installation possibilities, with power supply to the fixture from any side or

through cabling in and out when several fixtures need to be supplied in parallel.

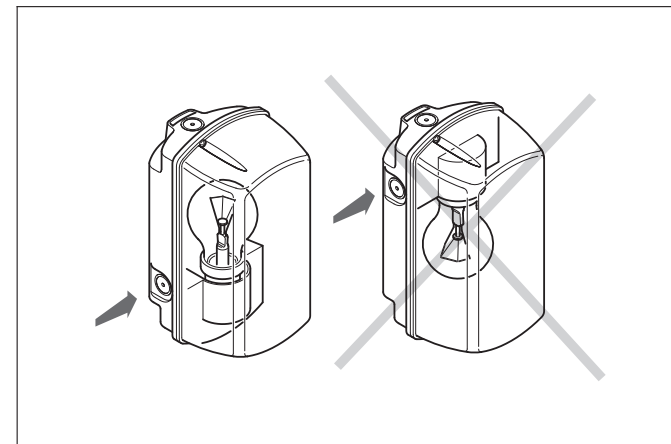
> FIXING



MIZAR Series light-fittings are fitted with a slot on the rear of the base for hooking onto a nail, screw or hook, or for fastening to poles, pipes, bars

or scaffolding using one or two cable ties. For permanent installation, the fixtures can be wall or ceiling mounted using screw anchors.

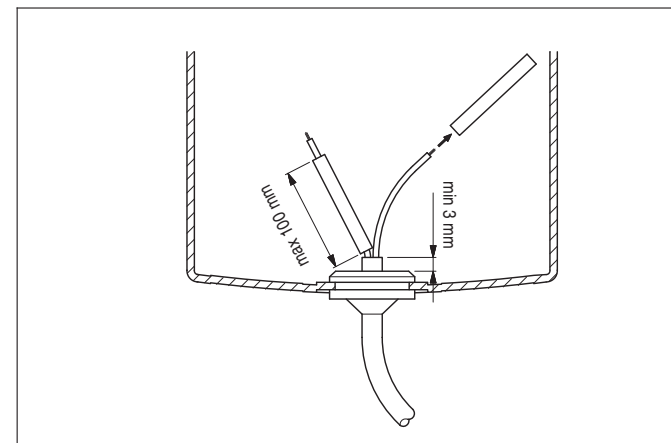
> CORRECT INSTALLATION



Overheating may affect the life of the lamp-holder and of the cables. To avoid this the lamp must be upright when mounting the fixture vertically, ie the lampholder must be in the lower part of the fixture. This also guarantees the protection degree.



An isolating screen provides total insulation, and by segregating the cabling protects the operator against contact with live parts when replacing the lamp.

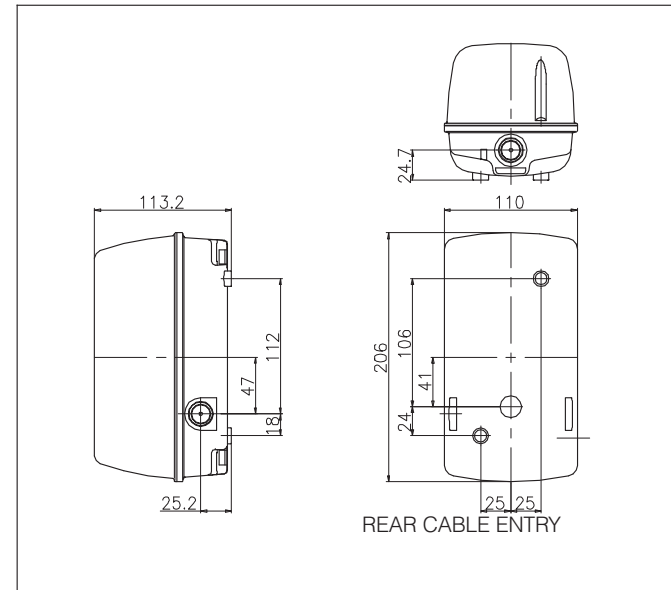


The mounting kit included in the supply comes with heat resistant sleeving for protecting the power supply cables from the heat generated by the lamp when in use.



A fast mounting plate for maintaining the protection degree is provided with the IP55 version.

> DIMENSIONS



(Dimensions in mm)