

FOOT SWITCHES SERIES | DOUBLE FOOT SWITCHES SERIES

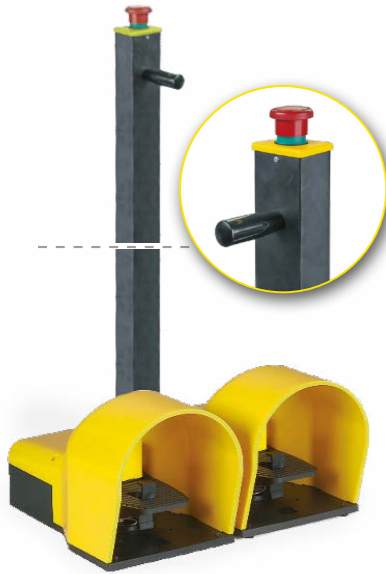
FOOT SWITCHES SERIES | DOUBLE FOOT SWITCHES SERIES

Double foot switches thermoplastic type with EN ISO 418 emergency stop option.

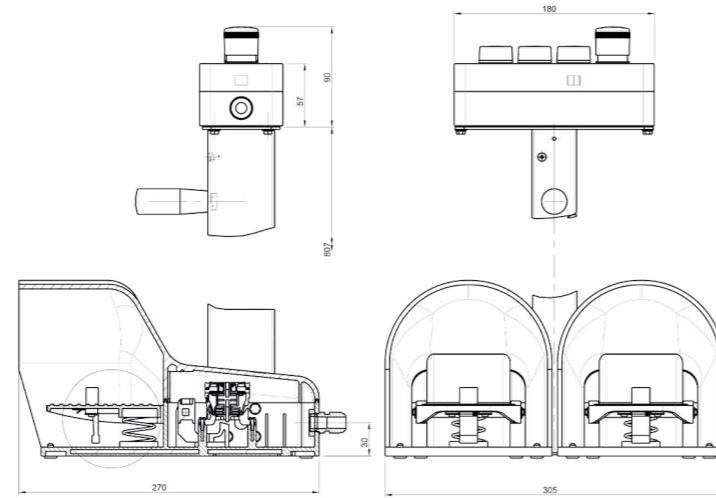
IP54

DOUBLE FOOT SWITCHES WITH EN 418 EMERGENCY STOP

DESCRIPTION	CONTACTS	CODE	MIN. PACK	WEIGHT
Foot switch with trigger mechanism requiring positive action to allow pedal operation. Colour: ■ PANTONE 102C	Slow break		Quantity	gr.
	1NO + 1NO	IP7018EM	1	5.300
	2NO + 2NO	IP7019EM	1	5.300

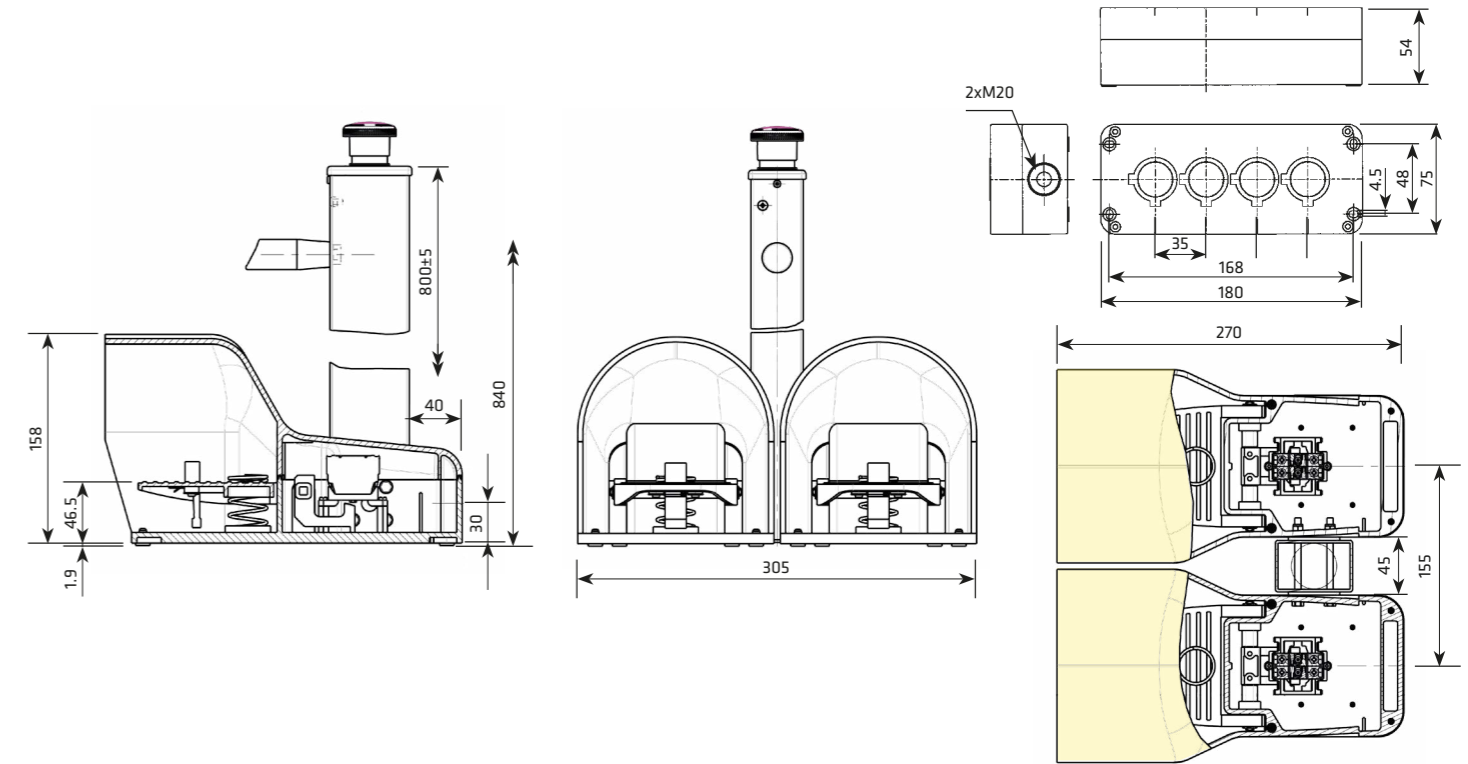


ON REQUEST



Available double foot switch IP7027 with PQ04 station 4 holes with EN ISO 13850 emergency stop.

DIMENSIONAL DRAWINGS



Double foot switches thermoplastic type with EN ISO 13850.

IP54

DOUBLE FOOT SWITCHES

DESCRIPTION	CONTACTS	CODE	MIN. PACK	WEIGHT
Foot switch with trigger mechanism requiring positive action to allow pedal operation. Colour: ■ PANTONE 102C	Slow break		Quantity	gr.
	1NO + 1NO	IP7018	1	3.100
	2NO + 2NO	IP7019	1	3.100



DIMENSIONAL DRAWINGS

