

Easy installation



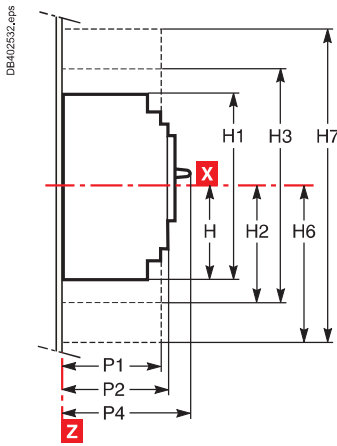
P071850270

<i>Presentation</i>	2
<i>Functions and characteristics</i>	A-1
<i>Installation recommendations</i>	B-1
Dimensions, mounting, cutout	
Compact NSX100 to NSX250 fixed version, 1P-2P	C-2
Dimensions and mounting	
Compact NSX100 to 630 fixed version	C-4
Vigicompact NSX100 to 630 fixed version	C-5
Compact NSX100 to 630 plug-in version	C-6
Compact NSX100 to 630 withdrawable version	C-8
Vigicompact NSX100 to 630 plug-in and withdrawable versions	C-10
Visu function for Compact NSX100 to 250 fixed version	C-11
Visu function for Compact NSX400/630 fixed version	C-12
Motor mechanism module for Compact NSX100 to 630	C-13
Direct rotary handle for Compact and Vigicompact NSX100 to 630	C-14
MCC and CNOMO type direct rotary handles for Compact NSX100 to 630 fixed version	C-15
Extended rotary handle for Compact NSX100 to 630	C-16
Indication and measurement modules for Compact NSX100 to 630 fixed version	C-17
One-piece spreader for Compact NSX100 to 250 fixed version	C-18
External modules	C-19
FDM121 switchboard display	C-20
FDM128 switchboard display	C-21
Front-panel accessories	
Compact NSX100 to 630	C-22
Front-panel cutouts	
Compact NSX100 to 630 fixed version	C-24
Vigicompact NSX100 to 630 fixed version	C-26
Compact NSX100 to 630 plug-in and withdrawable versions	C-28
Vigicompact NSX100 to 630 plug-in and withdrawable versions	C-29
Visu function for Compact NSX100 to 630 fixed version	C-30
Motor mechanism module for Compact and Vigicompact NSX100 to 630	C-31
Direct rotary handle for Compact and Vigicompact NSX100 to 630	C-32
Indication and measurement modules for Compact NSX100 to 630	C-34
Power connections	
Compact and Vigicompact NSX100 to 630 fixed version	C-36
Compact and Vigicompact NSX100 to 630 plug-in and withdrawable versions	C-40
Connection of insulated bars or cables with lugs to Compact and Vigicompact NSX100 to 630	C-44
Connection of bare cables to Compact and Vigicompact NSX100 to 630	C-45
<i>Wiring diagrams</i>	D-1
<i>Additional characteristics</i>	E-1
<i>Catalogue numbers</i>	F-1
<i>Glossary</i>	G-1

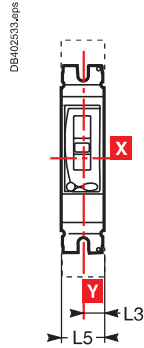
Dimensions, mounting, cutout

Compact NSX100 to NSX250 fixed version, 1P-2P

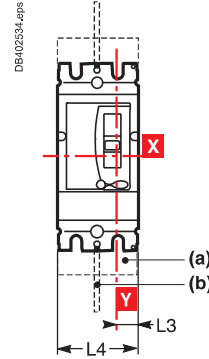
Dimensions



1 pole



2 poles

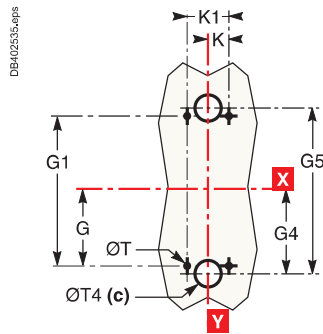


(a) Short terminal shields.
(b) Interphase barriers.

Mounting

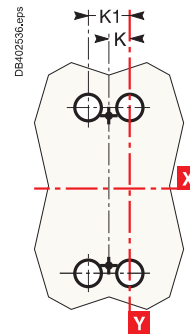
On backplate

1 pole



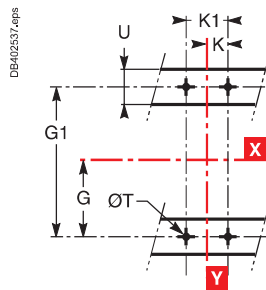
(c) For rear connection only.

2 poles

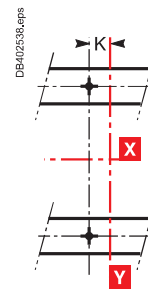


On rails

1 pole

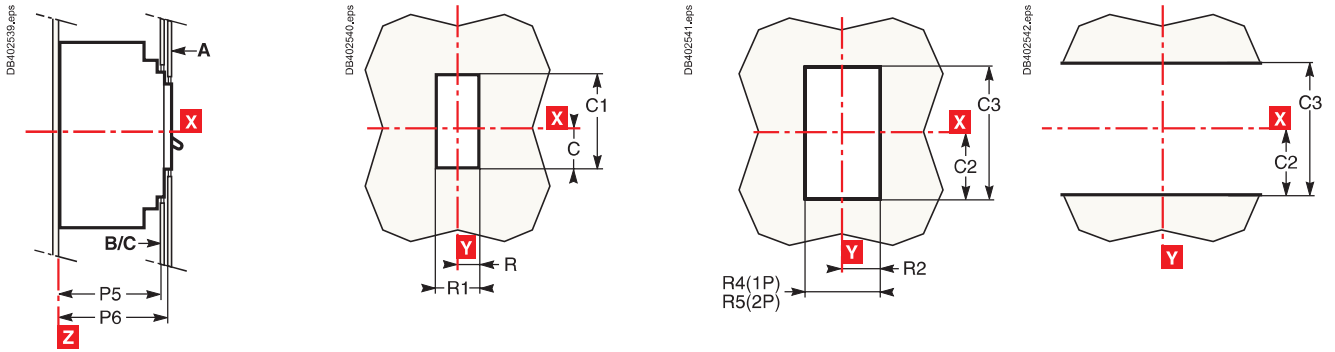


2 poles

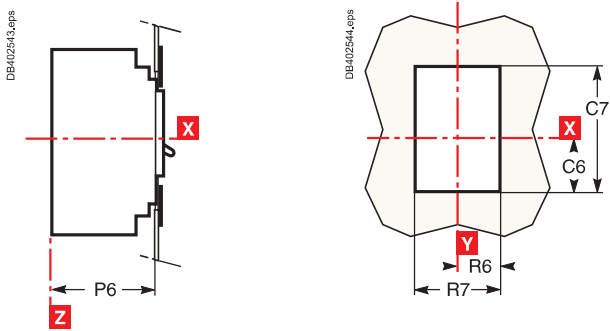


Front-panel cutout

On backplate



With escutcheon



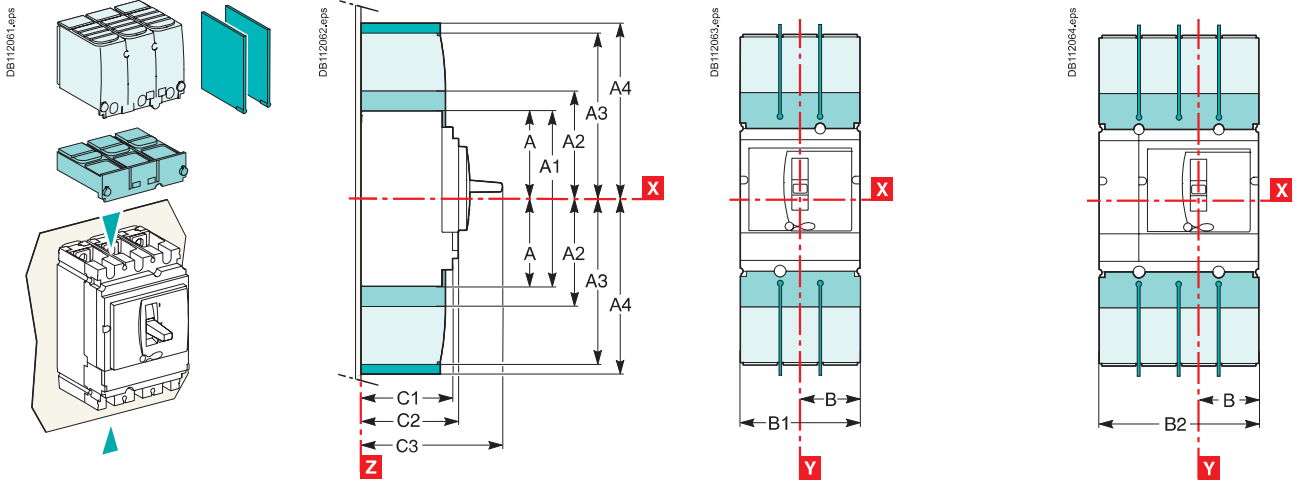
Dimensions (mm)

Type	C	C1	C2	C3	C6	C7	G	G1	G4	G5	H
NSX100/250	29	76	54	108	43	104	62.5	125	70	140	80.5
Type	H1	H2	H3	H4	H6	H7	K	K1	L3	L4	L5
NSX100/250	161	94	188	160.5	178.5	357	17.5	35	17.5	70	35
Type	P1	P2	P4	P5	P6	R	R1	R2	R4	R5	R6
NSX100/250	81	86	111	83	88	14.5	29	19	38	73	29
Type	R7	ØT	ØT4	U							
NSX100/250	58	6	22	≤ 32							

Dimensions

2/3P

4P



Interphase barriers.
 Short terminal shields.

Long terminal shields (also available for NSX400/630 spreaders with 52.5 mm pitch:
B1 = 157.5 mm, B2 = 210 mm).

Mounting

NSX100 to 250

NSX400/630 (2)

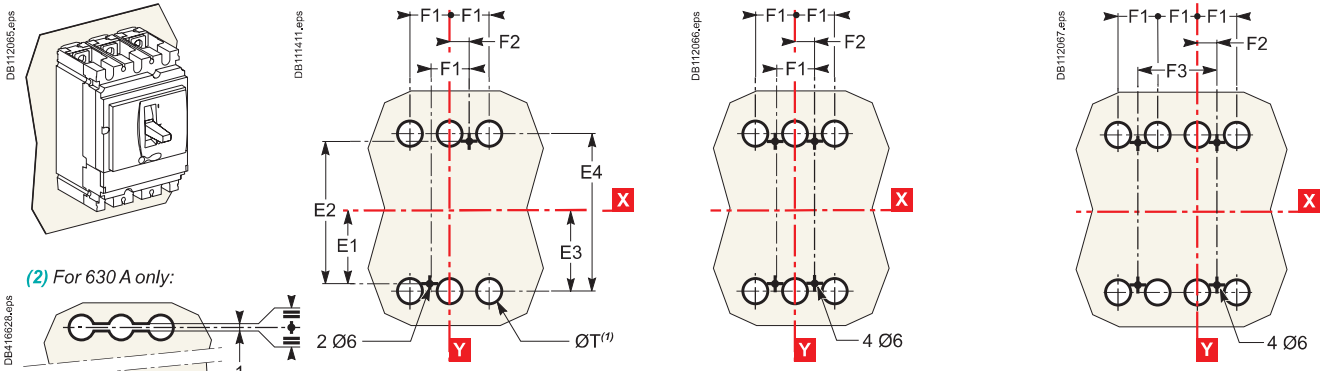
NSX100 to 630 (2)

On backplate

2/3P

3P

4P

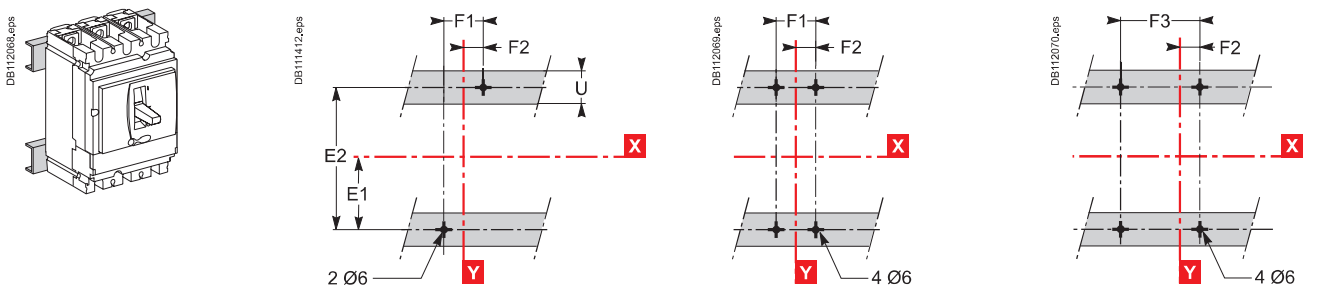


On rails

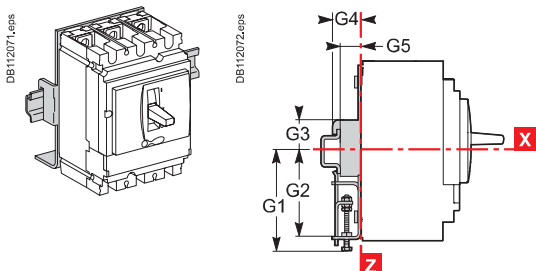
2/3P

3P

4P

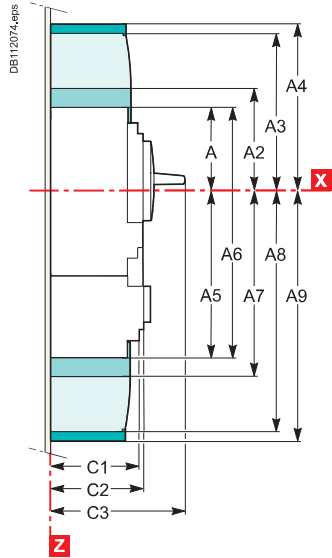
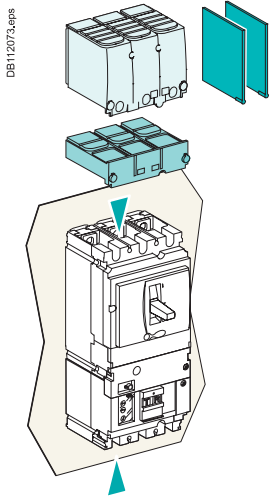


On DIN rail with adapter plate (NSX100 to 250)



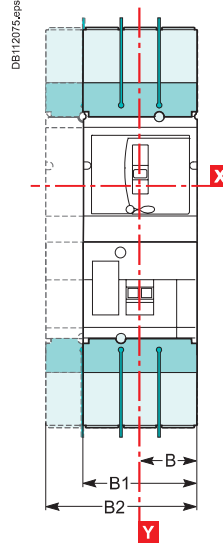
Vigicompact NSX100 to 630 fixed version

Dimensions



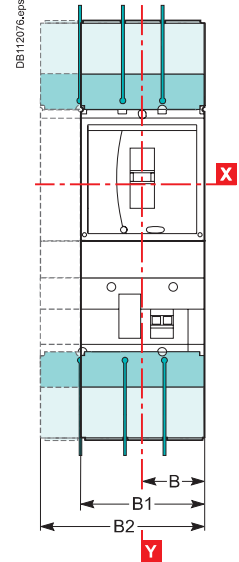
3/4P

NSX100 to 250



3/4P

NSX400/630



Mounting

NSX100 to 250

NSX400/630 (2)

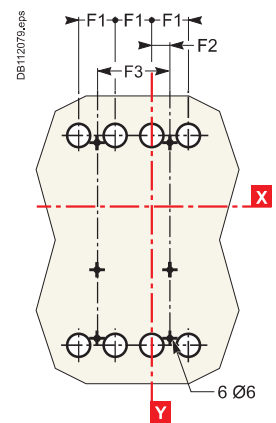
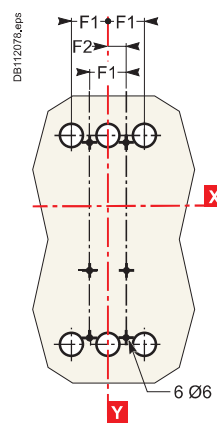
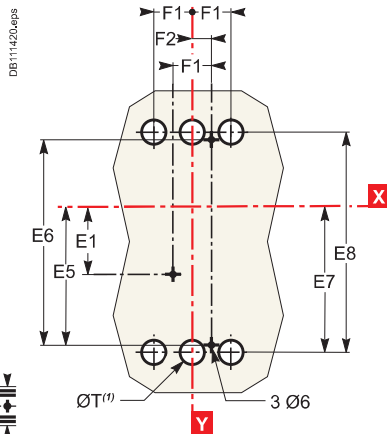
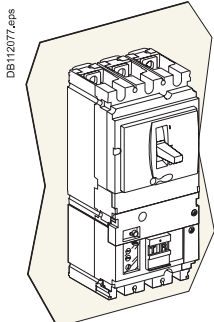
NSX100 to 630 (2)

On backplate

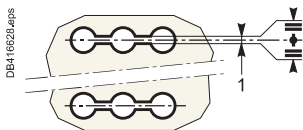
3P

3P

4P



(2) For 630 A only:



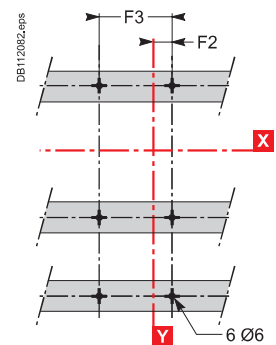
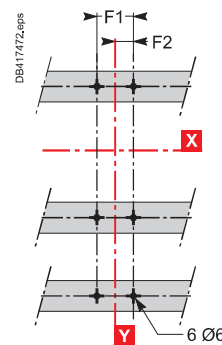
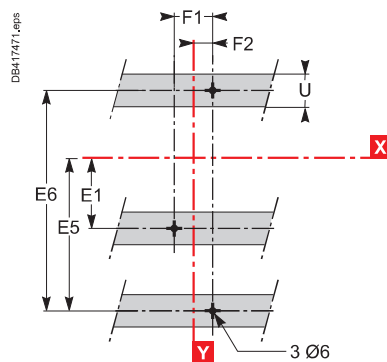
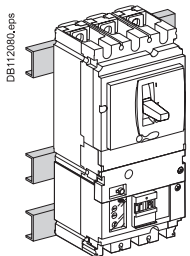
(1) The ØT holes are required for rear connection only. For two-pole circuit breakers, the middle holes are not required.

On rails

3P

3P

4P

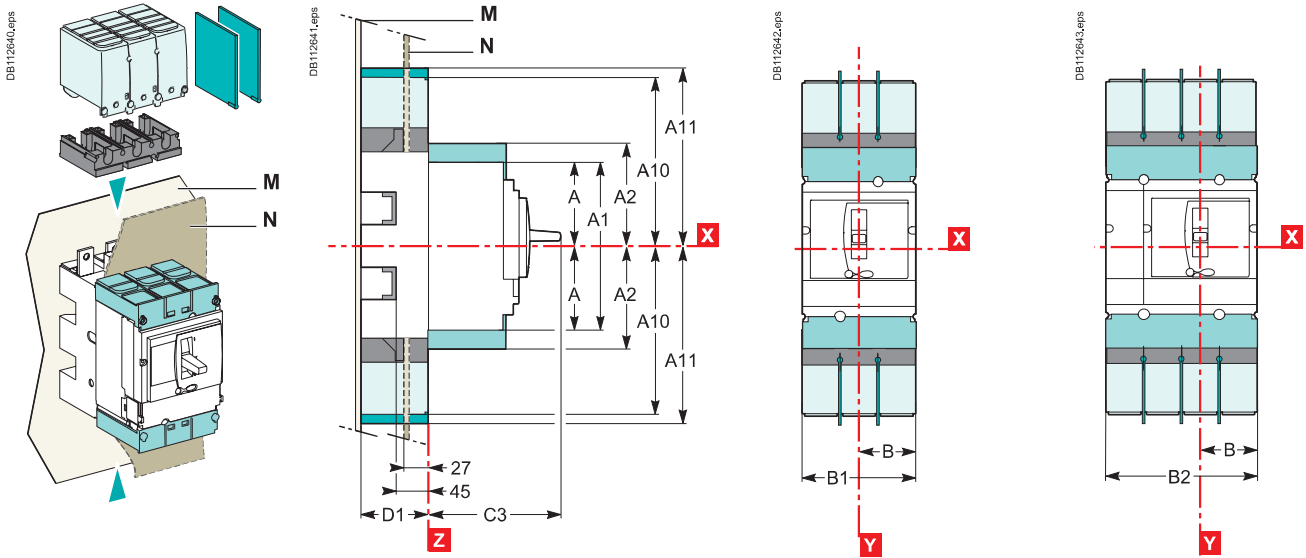


Type	A	A1	A2	A3	A4	A5	A6	A7	A8	A9	B	B1	B2	C1	C2	C3	E1
NSX100/160/250	80.5	161	94	145	178.5	155.5	236	169	220	253.5	52.5	105	140	81	86	126	62.5
NSX400/630	127.5	255	142.5	200	237	227.5	355	242.5	300	337	70	140	185	105	110	168	100
Type	E2	E3	E4	E5	E6	E7	E8	F1	F2	F3	G1	G2	G3	G4	G5	ØT	U
NSX100/160/250	125	70	140	137.5	200	145	215	35	17.5	70	95	75	13.5	23	17.5	24	≤ 32
NSX400/630	200	113.5	227	200	300	213.5	327	45	22.5	90	-	-	-	-	-	32	≤ 35

Dimensions

2/3P

4P



Interphase barriers for base.
 Short terminal shields on circuit breaker.

Long terminal shields (also available for NSX400/630 spreaders with 52.5 mm pitch: B1 = 157.5 mm, B2 = 210 mm).
 Adapter for base, required to mount long terminal shields or interphase barriers.

Mounting

Through front panel (N)

2/3P

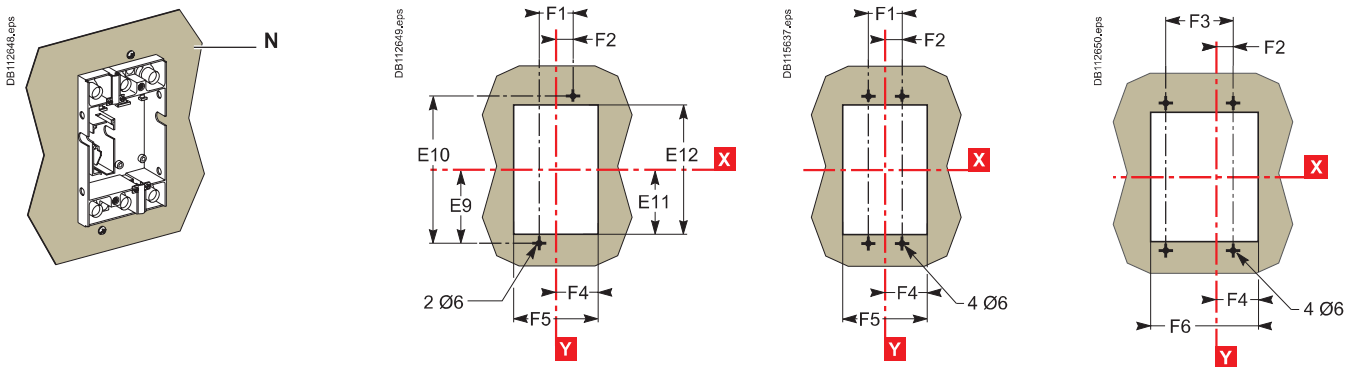
3P

4P

NSX100 to 250

NSX400/630

NSX100 to 630

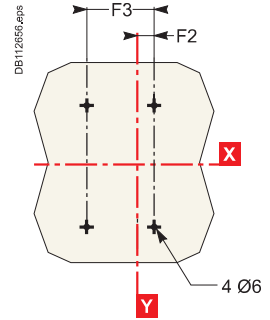
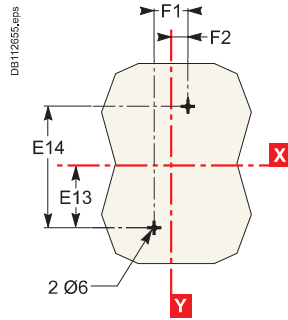
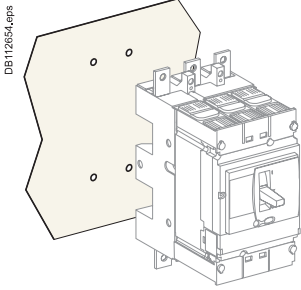


On backplate (M)

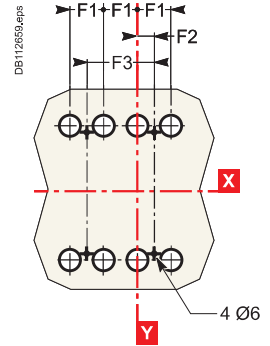
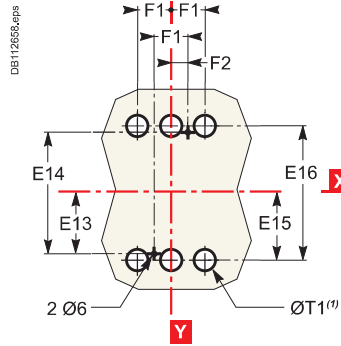
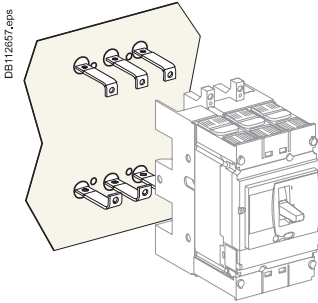
2/3P

4P

Front connection (an insulating screen is supplied with the base and must be fitted between the base and the backplate)

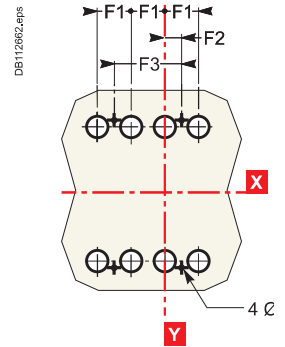
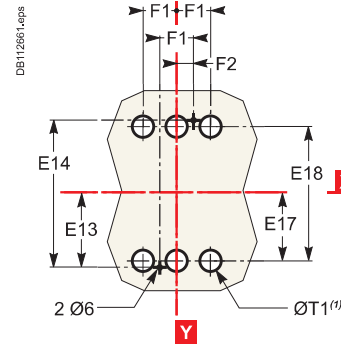
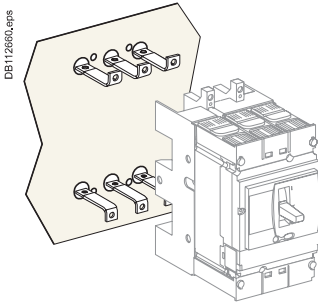


Connection by exterior-mounted rear connectors



(1) The ØT1 holes are required for rear connection only (for two-pole circuit breakers, the middle holes are not required).

Connection by interior-mounted rear connectors

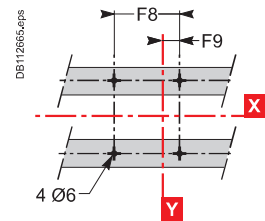
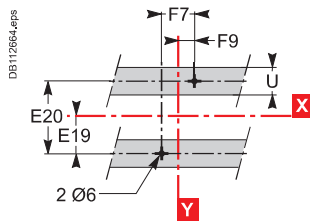
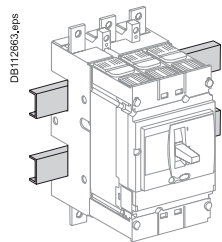


(1) The ØT1 holes are required for rear connection only (for two-pole circuit breakers, the middle holes are not required).

On rails

2/3P

4P



Type	A	A1	A2	A10	A11	B	B1	B2	C3	D1	E9	E10	E11	E12	E13	E14	E15
NSX100/160/250	80.5	161	94	175	210	52.5	105	140	126	75	95	190	87	174	77.5	155	79
NSX400/630	127.5	255	142.5	244	281	70	140	185	168	100	150	300	137	274	125	250	126
Type	E16	E17	E18	E19	E20	F1	F2	F3	F4	F5	F6	F7	F8	F9	ØT1	U	
NSX100/160/250	158	61	122	37.5	75	35	17.5	70	54.5	109	144	70	105	35	24	≤32	
NSX400/630	252	101	202	75	150	45	22.5	90	71.5	143	188	100	145	50	33	≤35	

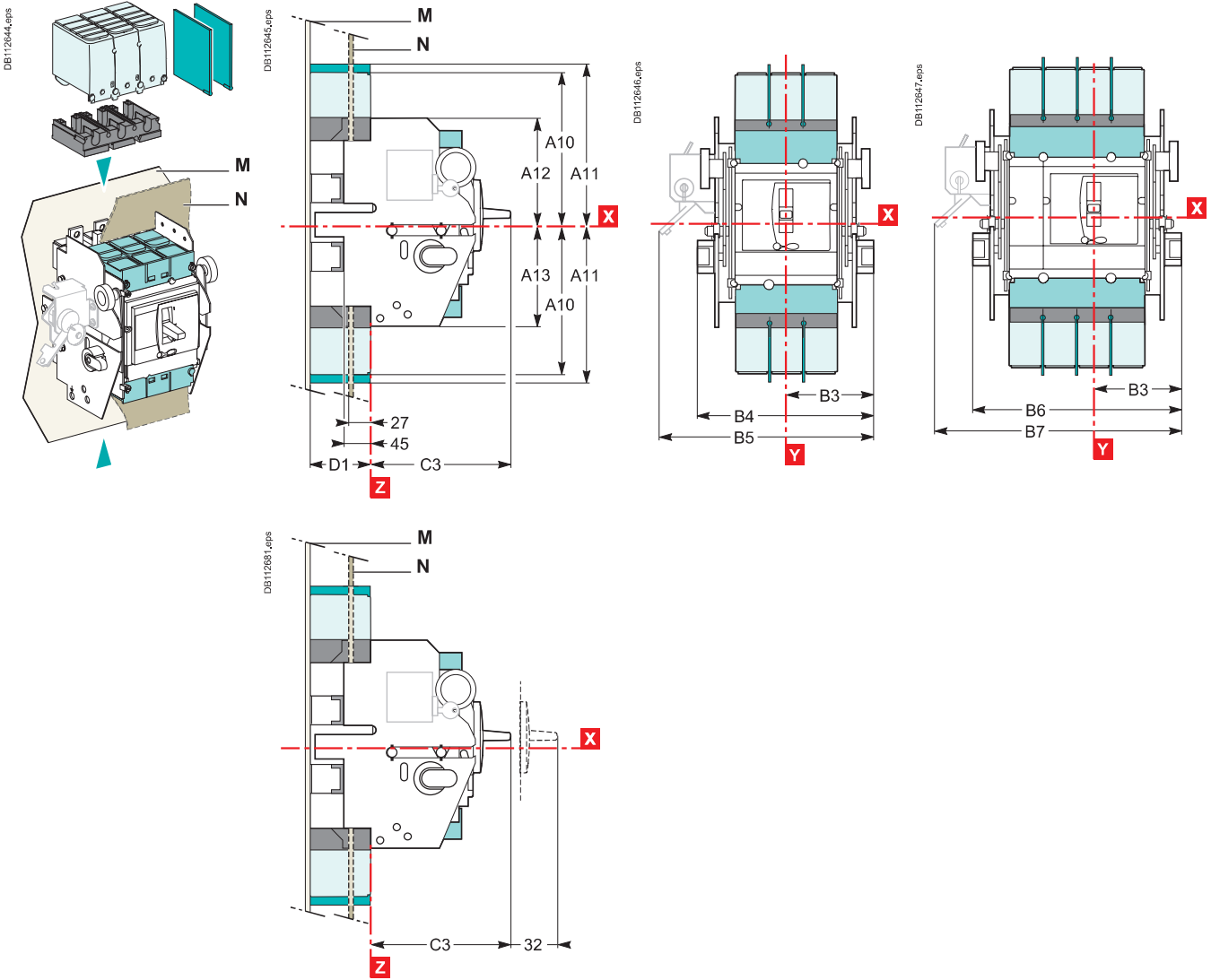
Dimensions and mounting

Compact NSX100 to 630 withdrawable version

Dimensions

2/3P

4P



Interphase barriers for base.
 Short terminal shields on circuit breaker.

Long terminal shields.
 Adapter for base, required to mount long terminal shields or interphase barriers.

Mounting

Through front panel (N)

2/3P

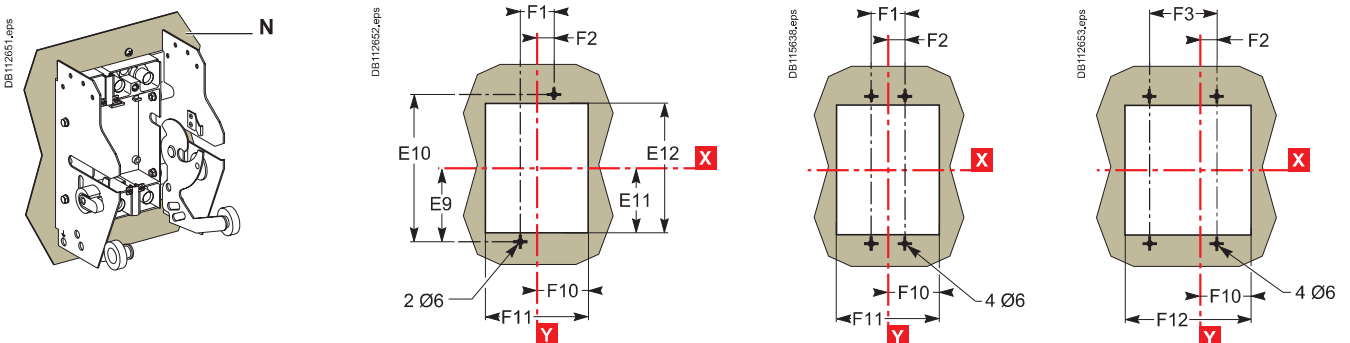
3P

4P

NSX100 to 250

NSX400/630

NSX100 to 630

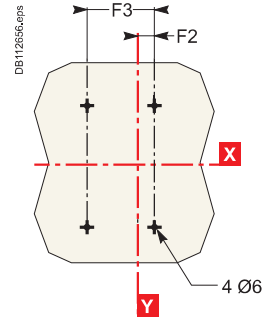
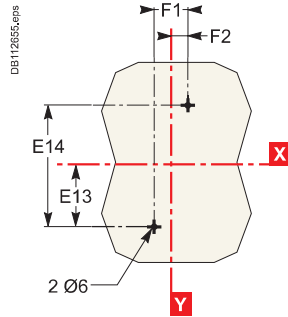
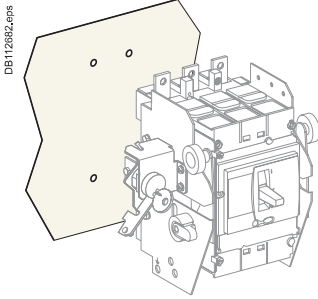


On backplate (M)

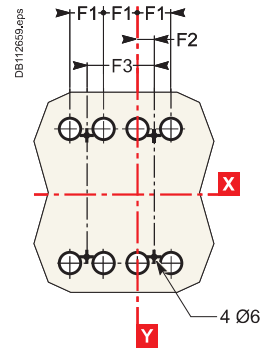
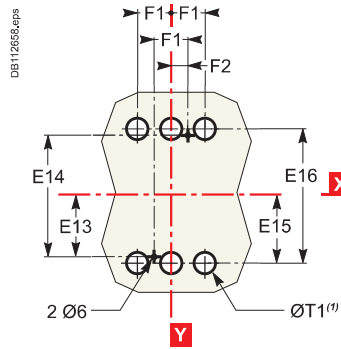
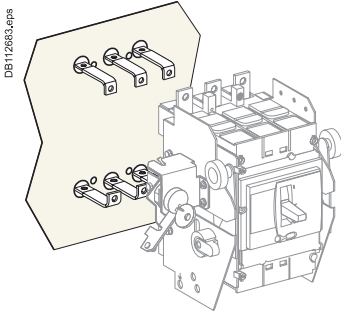
2/3P

4P

Front connection (an insulating screen is supplied with the base and must be fitted between the base and the backplate)

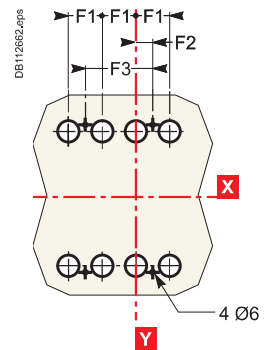
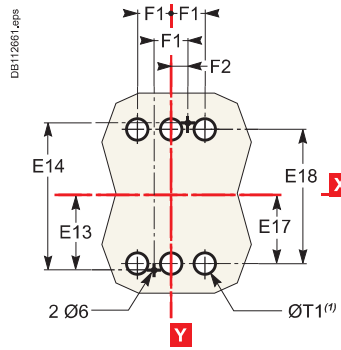
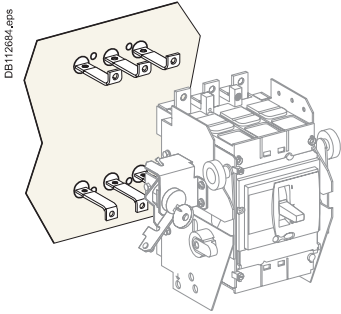


Connection by exterior-mounted rear connectors



(1) The ØT1 holes are required for rear connection only (for two-pole circuit breakers, the middle holes are not required).

Connection by interior-mounted rear connectors

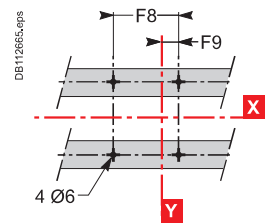
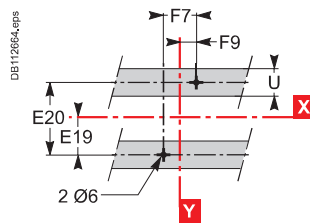
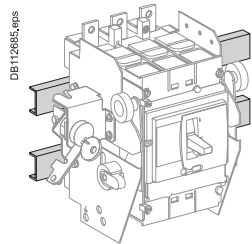


(1) The ØT1 holes are required for rear connection only (for two-pole circuit breakers, the middle holes are not required).

On rails

2/3P

4P



Type	A10	A11	A12	A13	B3	B4	B5	B6	B7	C3	D1	E9	E10	E11	E12	E13	E14
NSX100/160/250	175	210	106.5	103.5	92.5	185	216	220	251	126	75	95	190	87	174	77.5	155
NSX400/630	244	281	140	140	110	220	250	265	295	168	100	150	300	137	274	125	250
Type	E15	E16	E17	E18	E19	E20	F1	F2	F3	F7	F8	F9	F10	F11	F12	ØT1	U
NSX100/160/250	79	158	61	122	37.5	75	35	17.5	70	70	105	35	74	148	183	24	≤ 32
NSX400/630	126	252	101	202	75	150	45	22.5	90	100	145	50	91.5	183	228	33	≤ 35

Dimensions and mounting

Vigicompact NSX100 to 630 plug-in and withdrawable versions

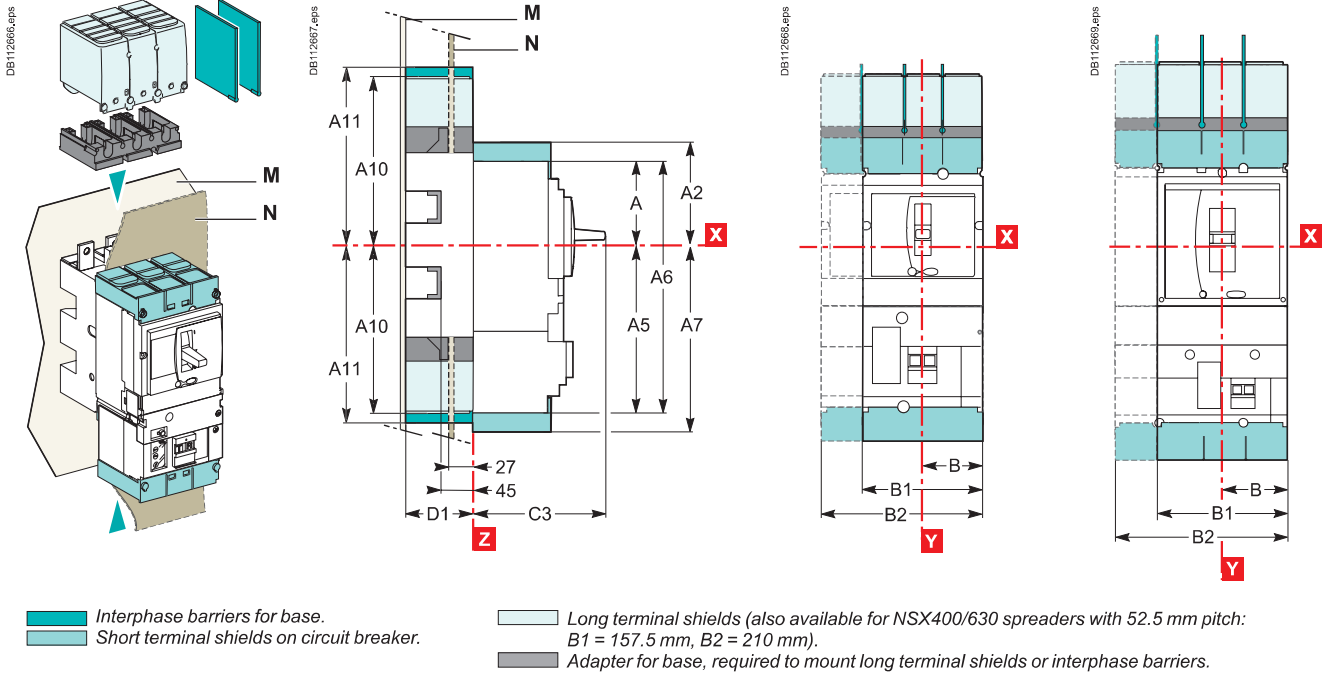
Dimensions - plug-in version

NSX100 to 250

NSX400/630

3/4P

3/4P

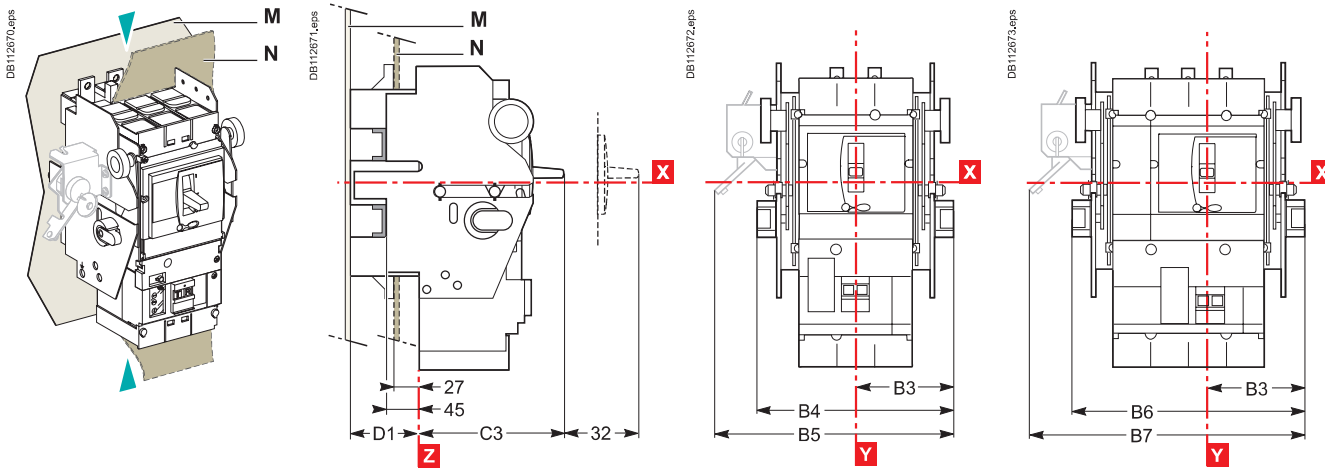


Dimensions - withdrawable version

NSX100 to 630

3P

4P



Mounting

Through front panel (N)

See Compact NSX100 to 630 plug-in version, [page C-6](#), or withdrawable version, [page C-8](#)

On backplate (M)

See Compact NSX100 to 630 plug-in version, [page C-7](#), or withdrawable version, [page C-9](#)

On rails

See Compact NSX100 to 630 plug-in version, [page C-7](#), or withdrawable version, [page C-9](#)

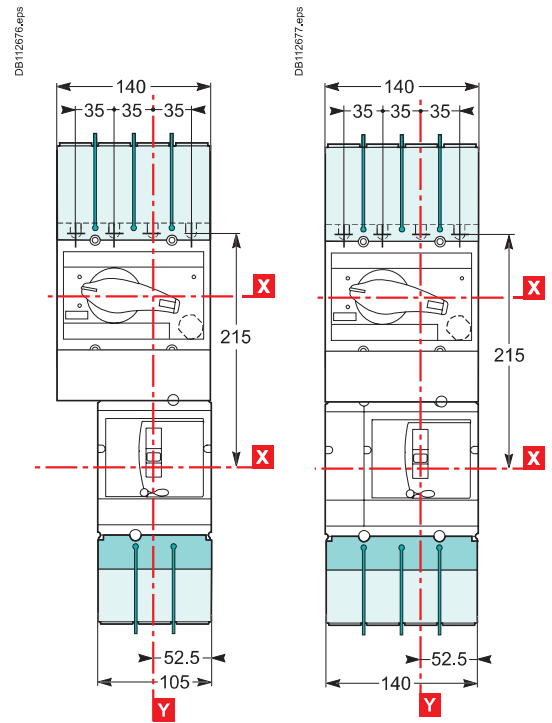
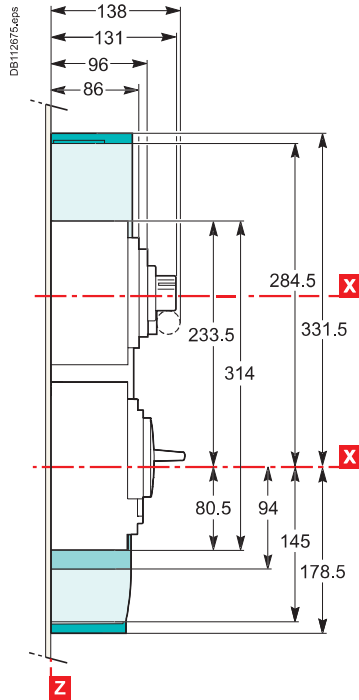
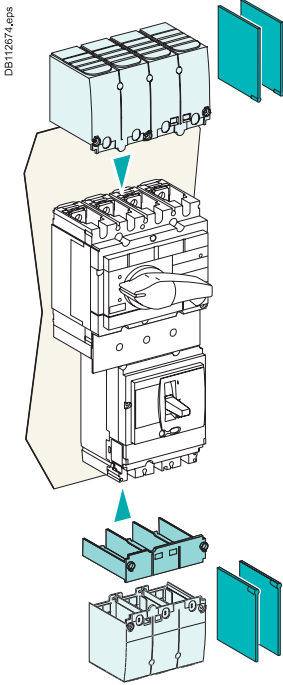
Type	A	A2	A5	A6	A7	A10	A11	B	B1	B2	B3	B4	B5	B6	B7	C3	D1
NSX100/160/250	80.5	94	155.5	236	169	175	210	52.5	105	140	92.5	185	216	220	251	126	75
NSX400/630	127.5	142.5	227.5	355	242.5	244	281	70	140	185	110	220	250	265	295	168	100

Visu function for Compact NSX100 to 250 fixed version

Dimensions - combination with Compact INV100 to 250

3P

4P



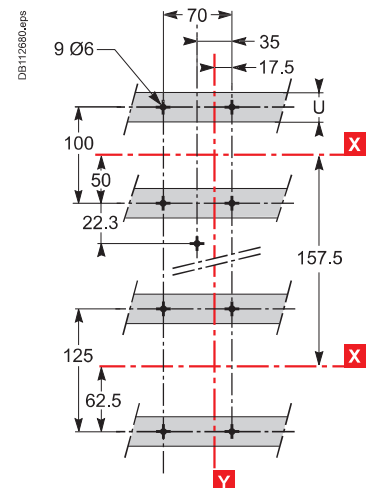
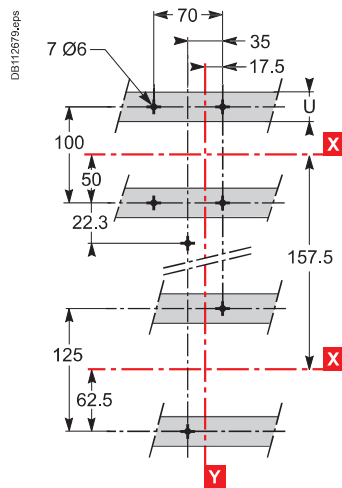
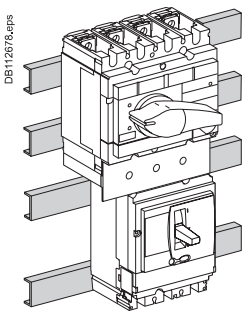
- Interphase barriers.
- Short terminal shields.
- Long terminal shields.

Mounting

3P

4P

On rails or backplate



U ≤ 32

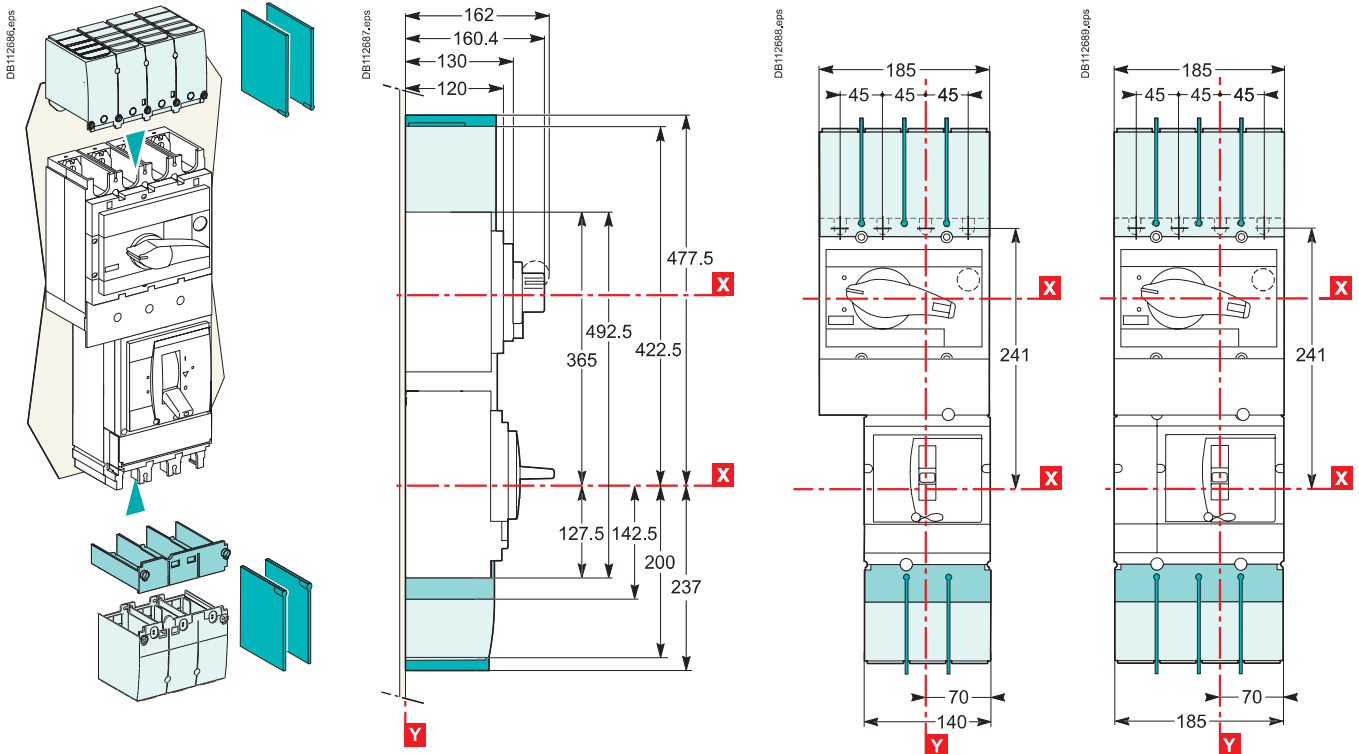
Dimensions and mounting

Visu function for Compact NSX400/630 fixed version

Dimensions - combination with Compact INV400 to 630

3P

4P



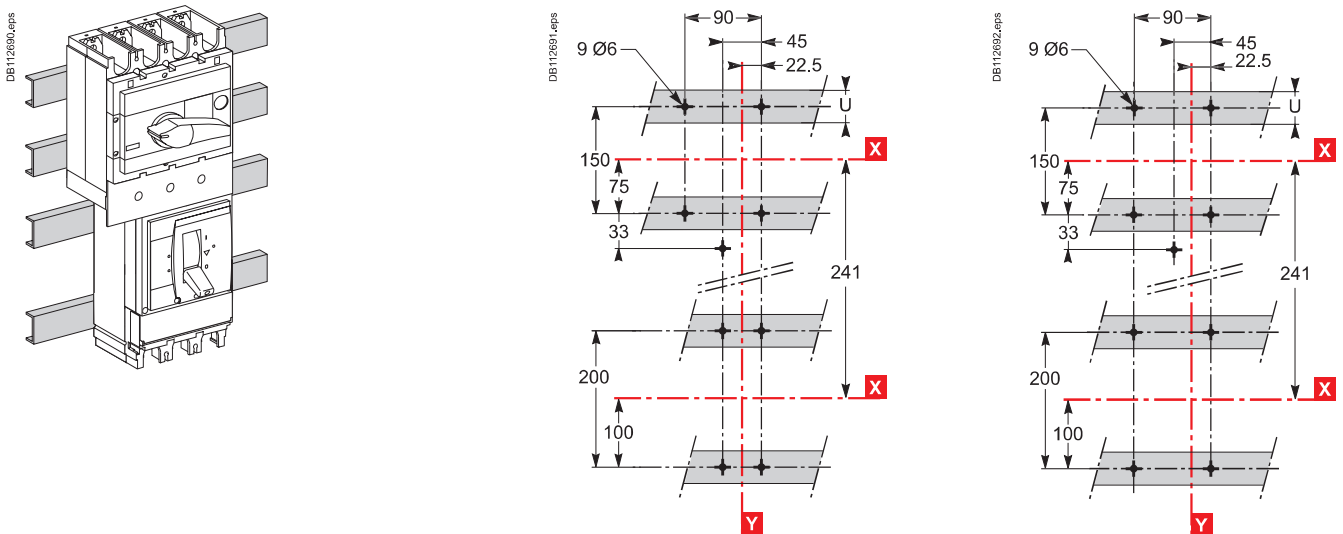
- Interphase barriers for base.
- Short terminal shields.
- Long terminal shields.

Mounting

3P

4P

On rails or backplate



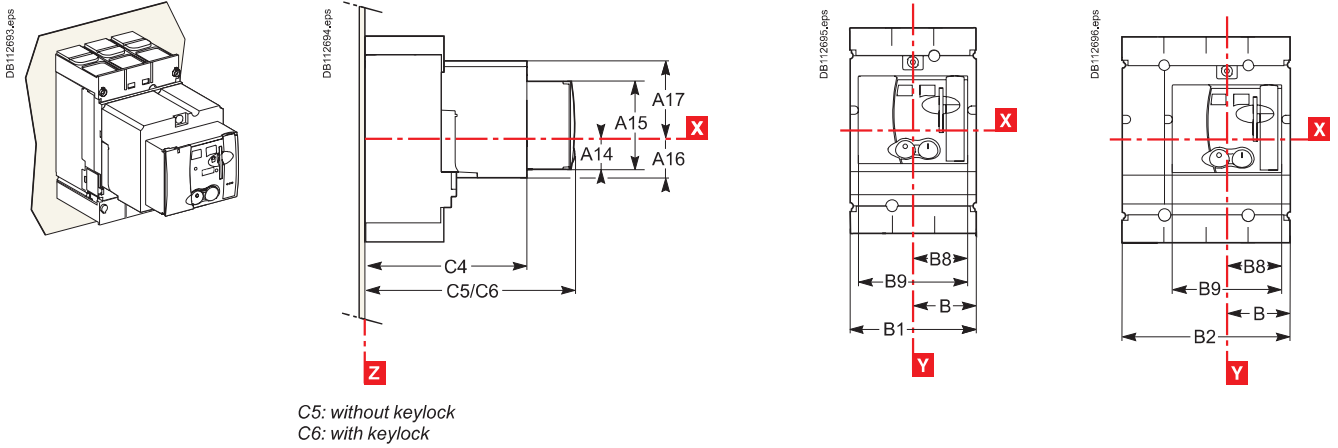
Motor mechanism module for Compact NSX100 to 630

Dimensions

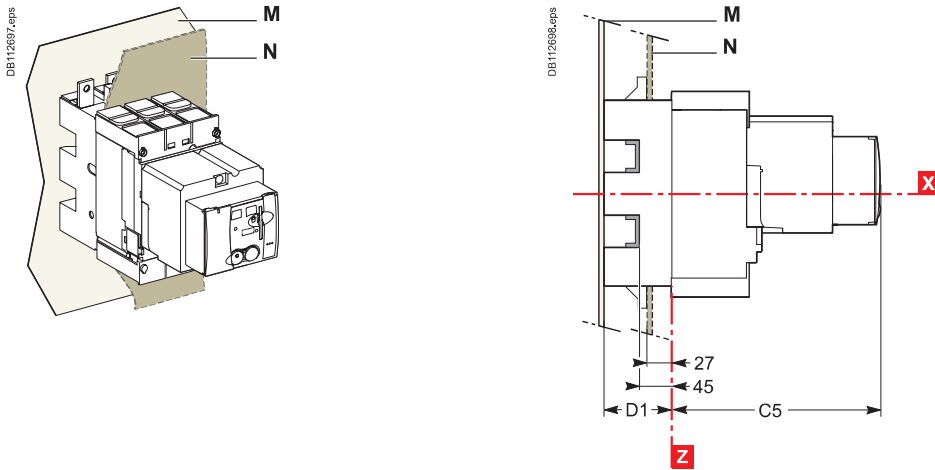
3P

4P

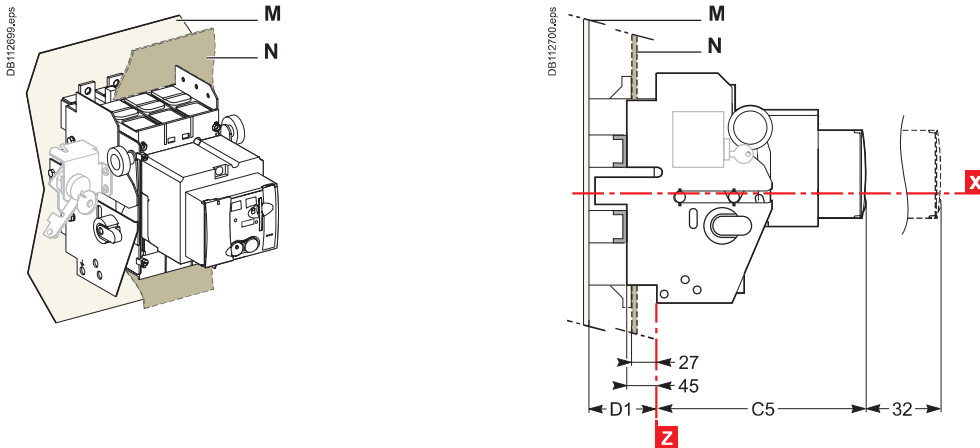
Fixed circuit breaker



Plug-in circuit breaker



Withdrawable circuit breaker



Type	A14	A15	A16	A17	B	B1	B2	B8	B9	C4	C5	C6	D1
NSX100/160/250	27.5	73	34.5	62.5	52.5	105	140	45.5	91	143	182	209.5	75
NSX400/630	40	123	52	100	70	140	185	61.5	123	215	256	258	100

Dimensions and mounting

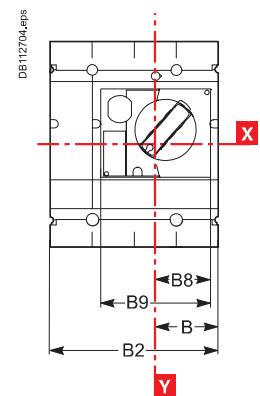
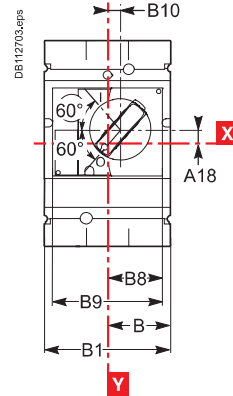
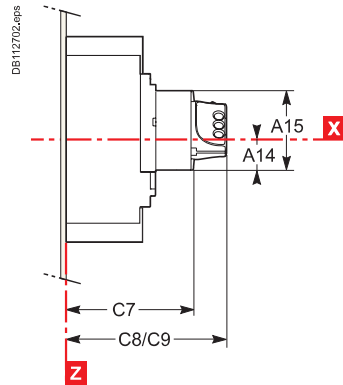
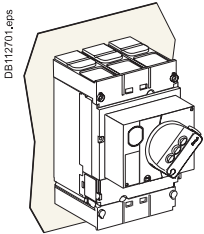
Direct rotary handle for Compact and Vigicompact NSX100 to 630

Dimensions

3P

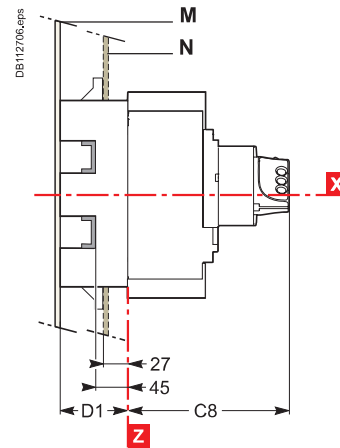
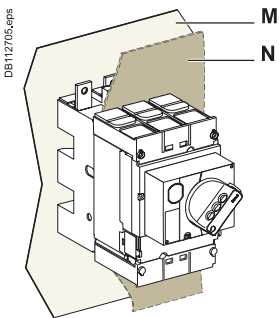
4P

Fixed circuit breaker

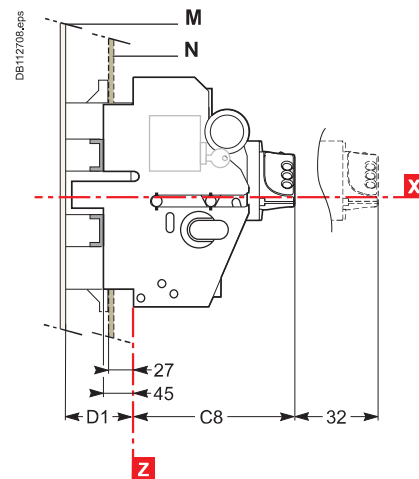
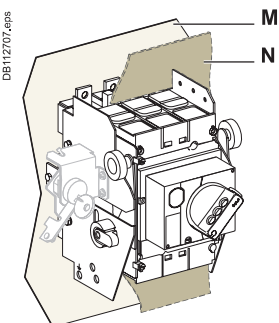


C8: without keylock
C9: with keylock

Plug-in circuit breaker



Withdrawable circuit breaker

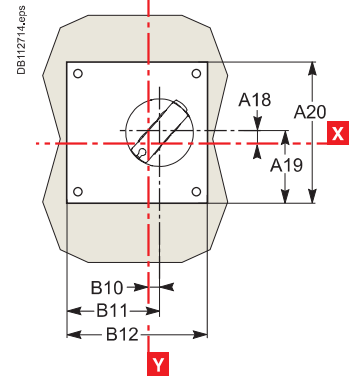
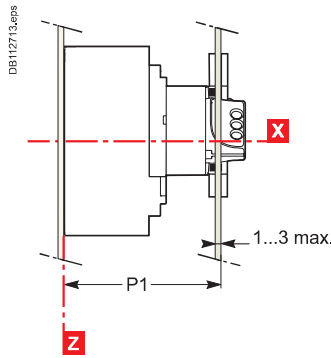
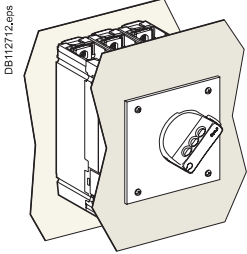


Type	A14	A15	A18	B	B1	B2	B8	B9	B10	C7	C8	C9	D1
NSX100/160/250	27.5	73	9	52.5	105	140	45.5	91	9.25	121	155	164	75
NSX400/630	40	123	24.6	70	140	185	61.5	123	5	145	179	188	100

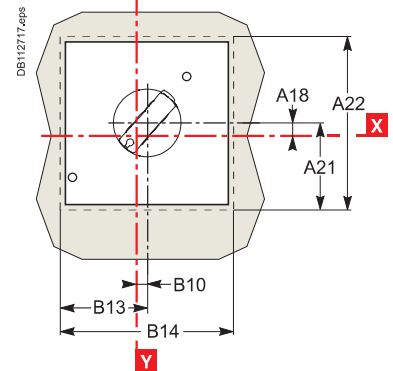
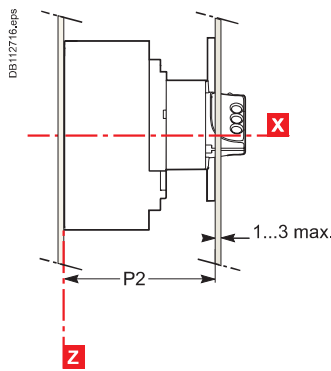
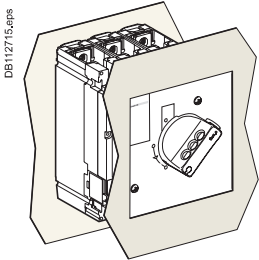
MCC and CNOMO type direct rotary handles for Compact NSX100 to 630 fixed version

Dimensions

MCC type direct rotary handle



CNOMO type direct rotary handle

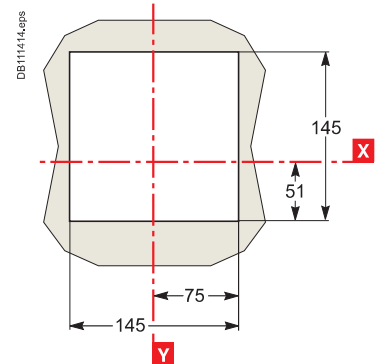
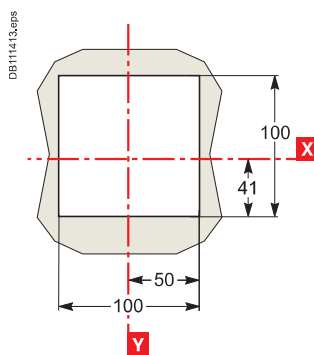
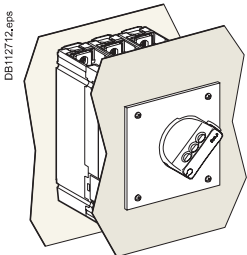


Front-panel cutout

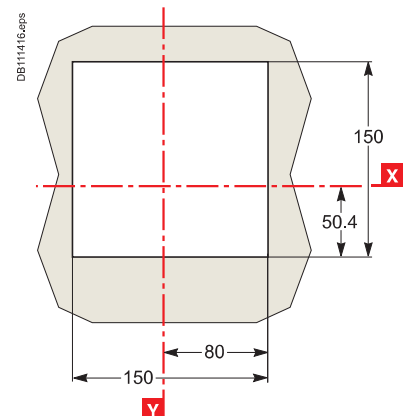
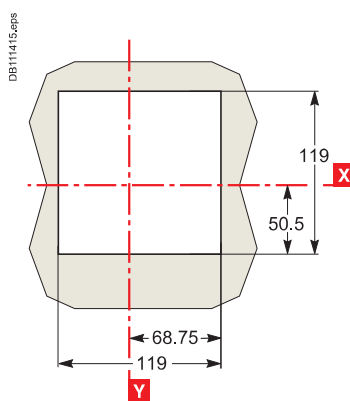
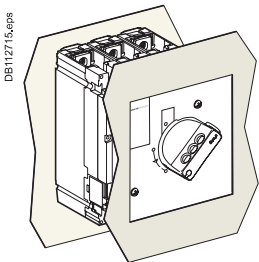
NSX100 to 250

NSX400/630

MCC type direct rotary handle



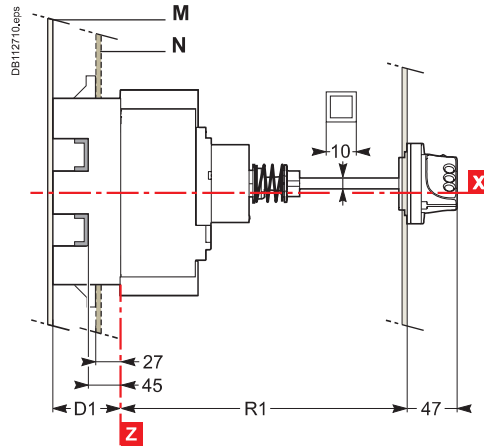
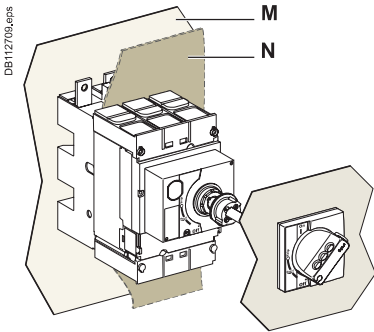
CNOMO type direct rotary handle



Type	A18	A19	A20	A21	A22	B10
NSX100/160/250	9	60	120	65	130	9.25
NSX400/630	24.6	83	160	82	164	5
Type	B11	B12	B13	B14	P1	P2
NSX100/160/250	69	120	65	130	125	135
NSX400/630	85	160	82	164	149	158

Dimensions

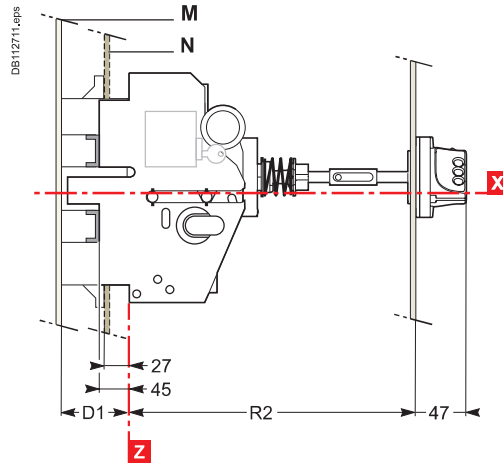
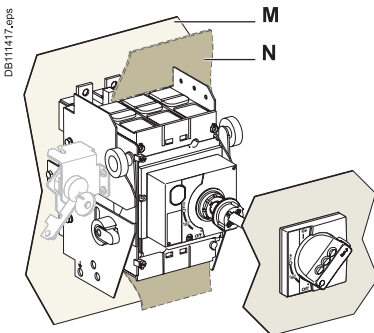
Fixed and plug-in circuit breakers



Cutout for shaft (mm)

Type	R1
NSX100/160/250	min. 171 max. 600
NSX400/630	min. 195 max. 600

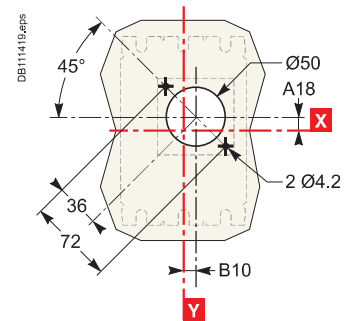
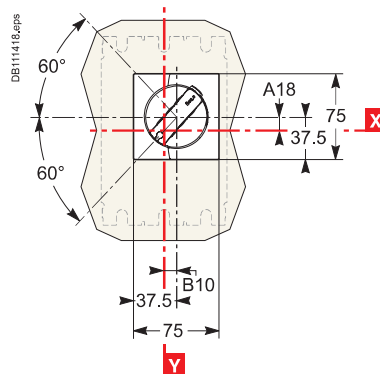
Withdrawable circuit breaker



Cutout for shaft (mm)

Type	R2
NSX100/160/250	min. 248 max. 600
NSX400/630	min. 272 max. 600

Dimensions and front-panel cutout



Type	A18	B10	D1
NSX100/160/250	9	9.25	75
NSX400/630	24.6	5	100

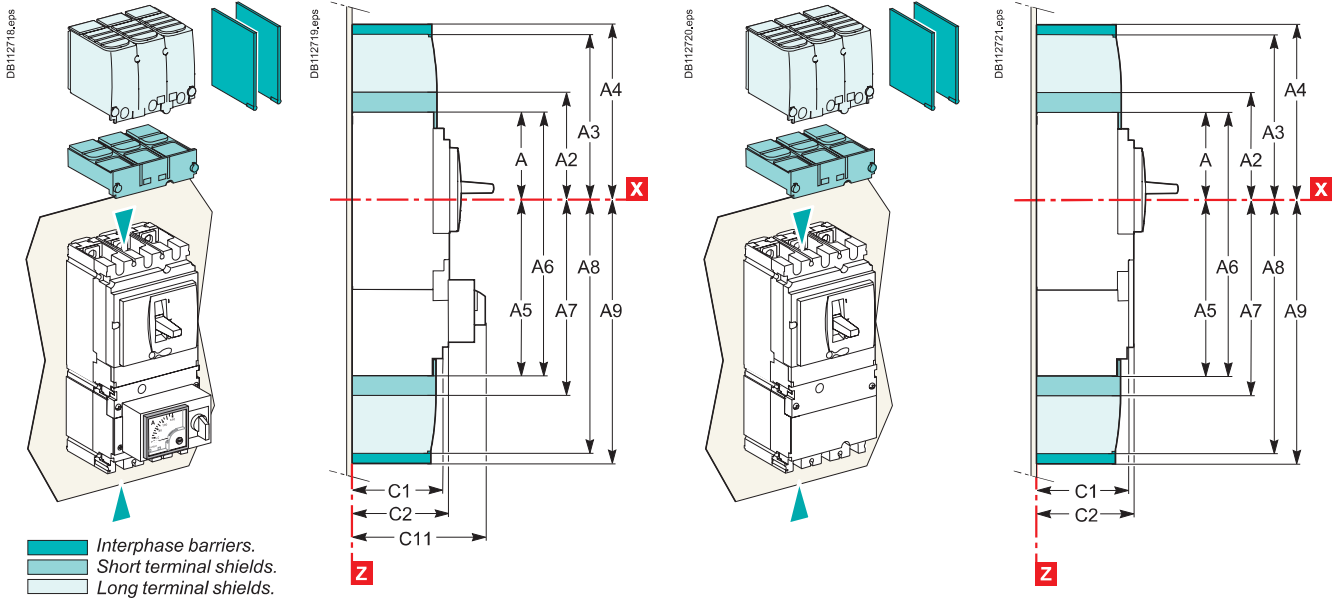
Dimensions and mounting

Indication and measurement modules for Compact NSX100 to 630 fixed version

Dimensions

Circuit breaker with ammeter module

Circuit breaker with current-transformer module



Mounting

NSX100 to 250

NSX400/630

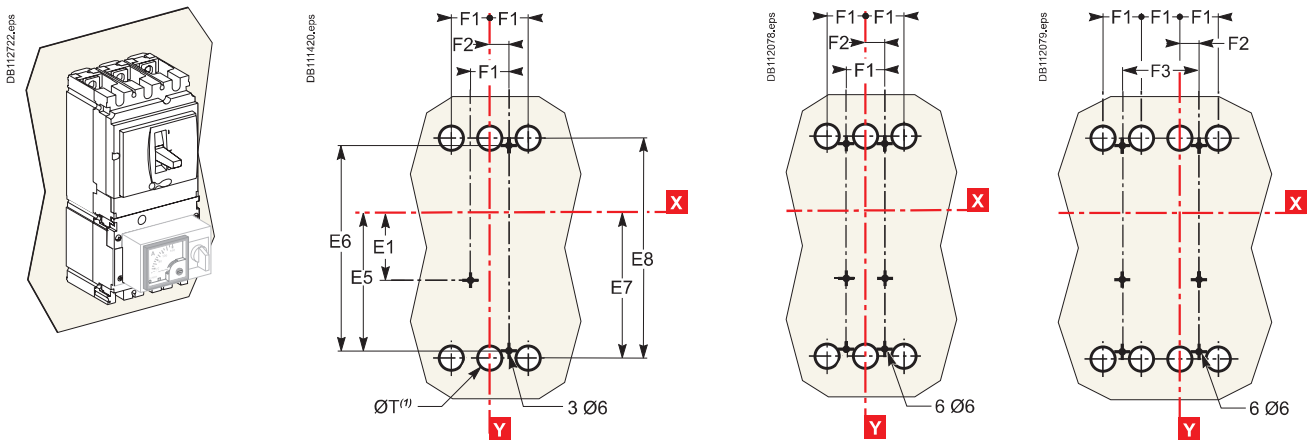
NSX100 to 630

On backplate

2/3P

3P

4P



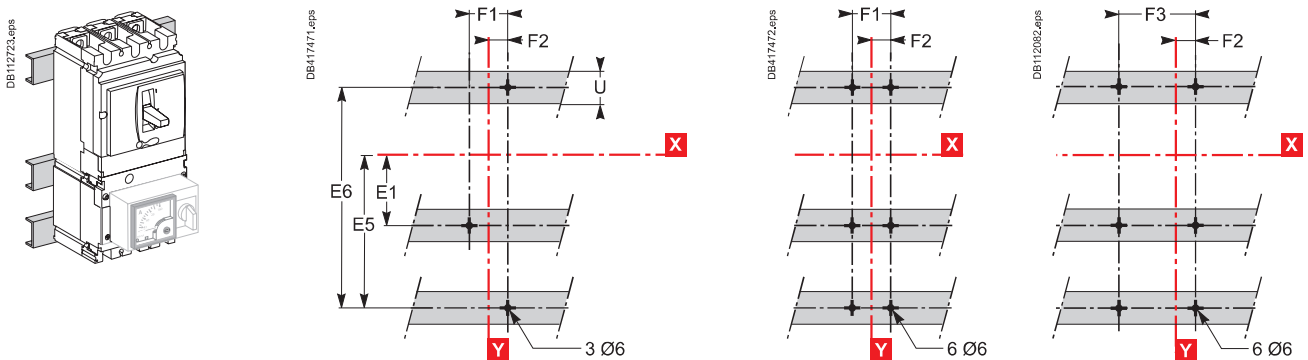
(1) The ØT holes are required for rear connection only.
For two-pole circuit breakers, the middle holes are not required.

On rails

2/3P

3P

4P

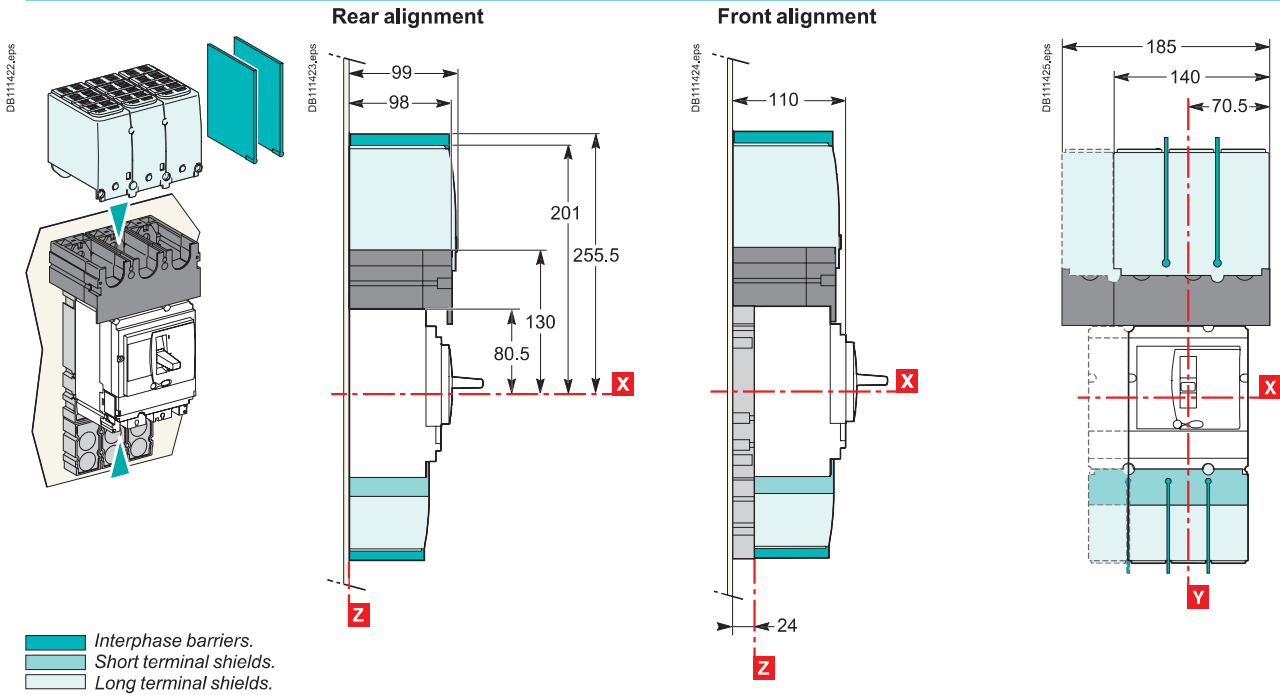


Type	A	A2	A3	A4	A5	A6	A7	A8	A9	C1	C2	C11	E1	E5	E6	E7	E8
NSX100/160/250	80.5	94	145	178.5	155.5	236	169	220	253.5	81	86	137	62.5	137.5	200	145	215
NSX400/630	127.5	142.5	200	237	227.5	355	242.5	300	337	95.5	110	162	100	200	300	213.5	327
Type	F1	F2	F3	ØT	U												
NSX100/160/250	35	17.5	70	24	≤ 32												
NSX400/630	45	22.5	90	32	≤ 35												

Dimensions and mounting

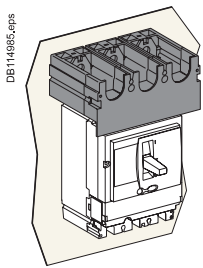
One-piece spreader for Compact NSX100 to 250 fixed version

Dimensions

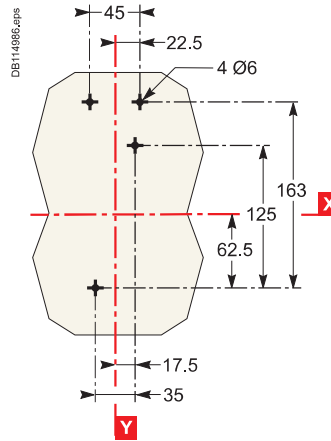


Mounting

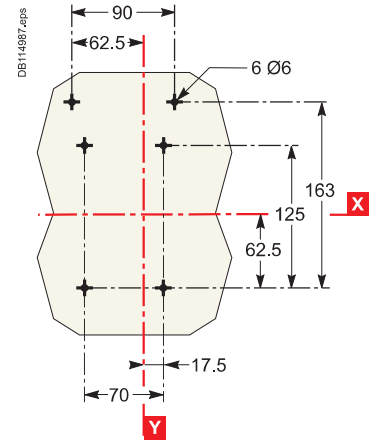
Rear alignment



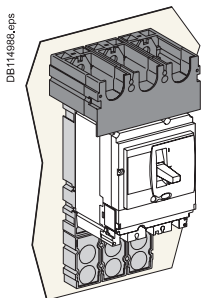
2/3P



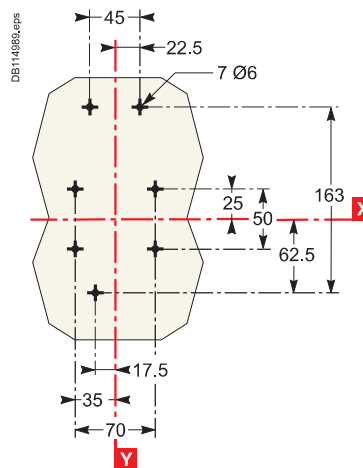
4P



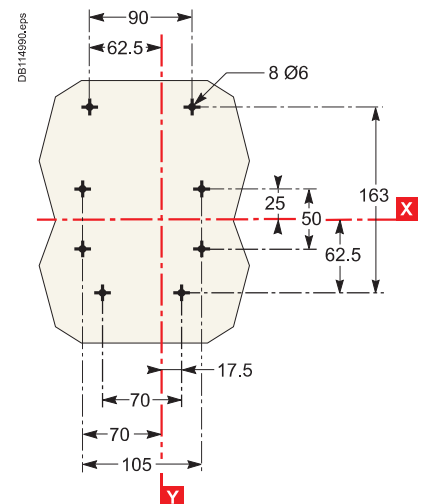
Front alignment



2/3P

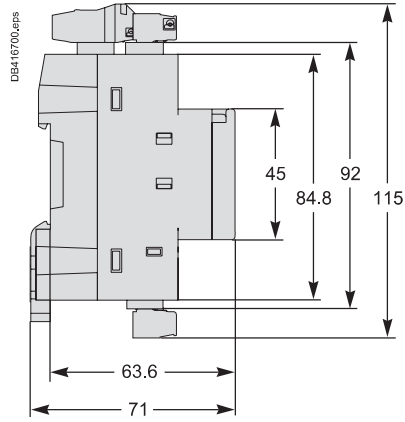
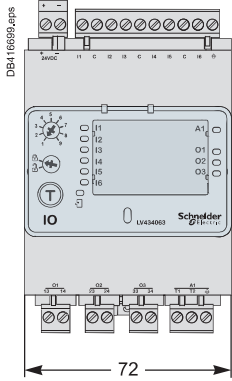


4P

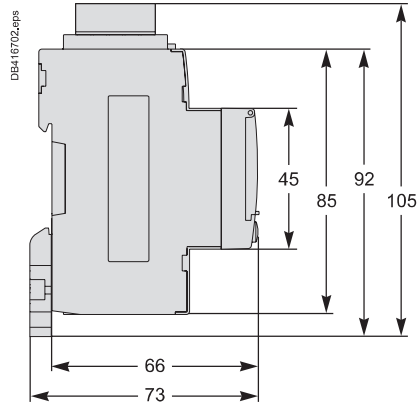
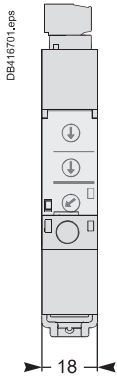


External modules

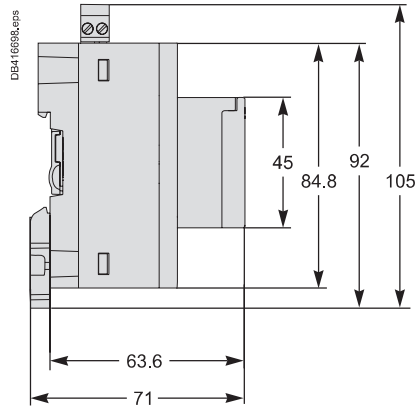
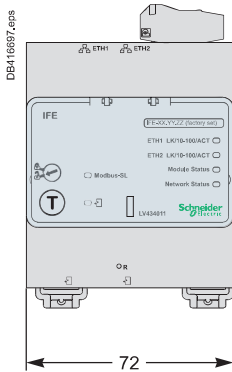
I/O (Input/Output) application module



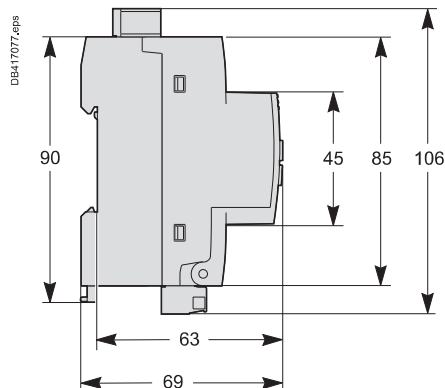
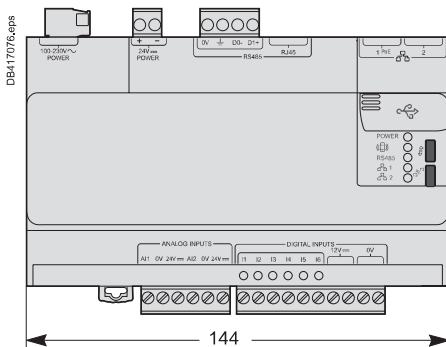
IFM - Modbus-SL interface



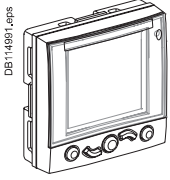
IFE - Ethernet interface



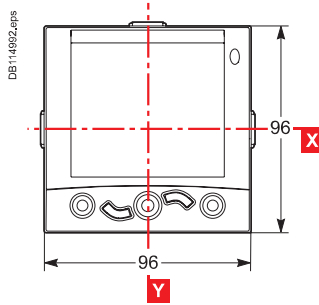
Com'X 200



Dimensions



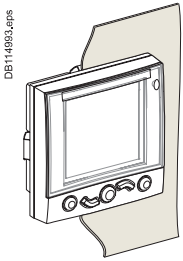
DB114991.eps



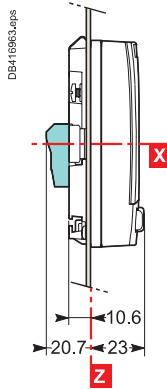
DB114992.eps

Mounting

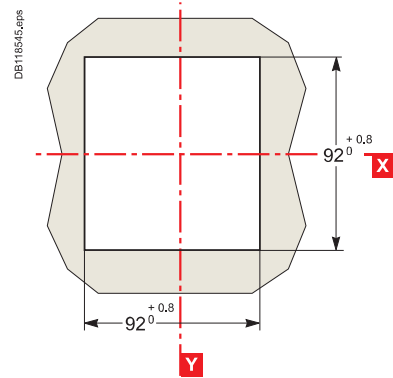
Through panel



DB114993.eps

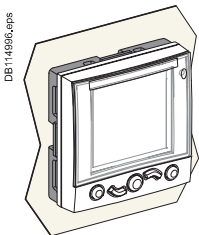


DB116983.eps

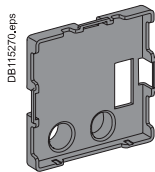


DB118545.eps

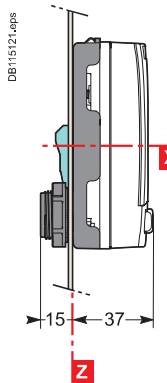
On panel



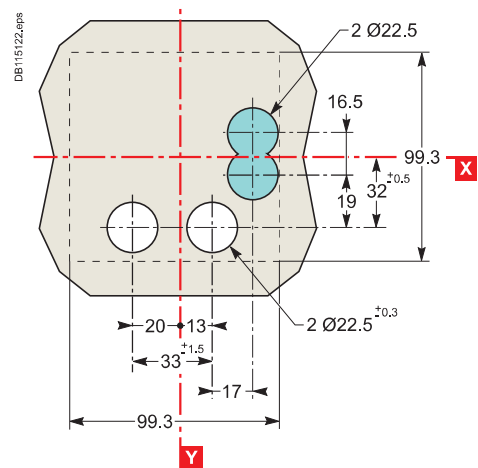
DB114996.eps



DB115270.eps



DB115121.eps

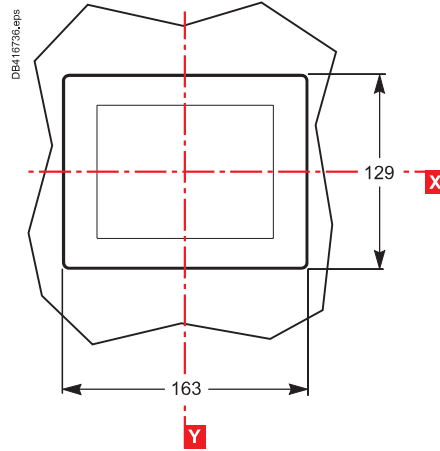
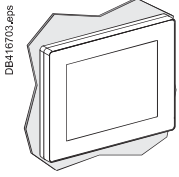


DB115122.eps

 Connector (optional).

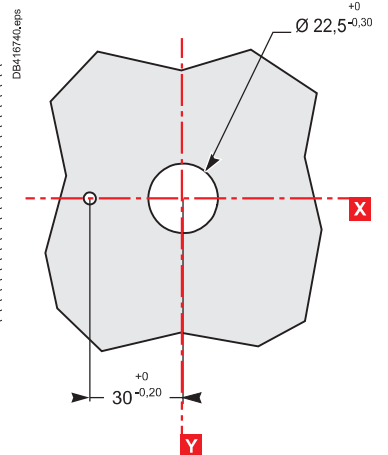
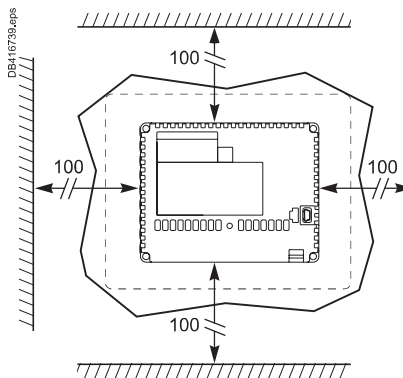
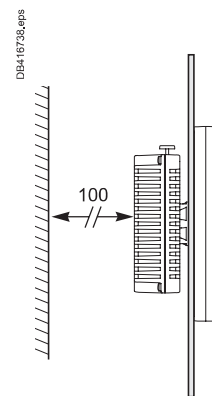
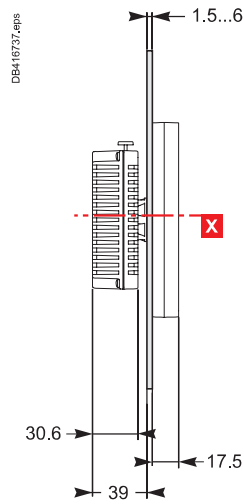
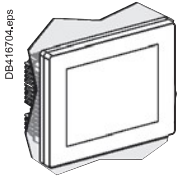
FDM1 28 switchboard display

Dimensions



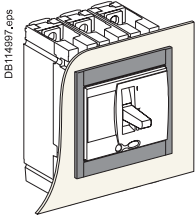
Mounting

On panel

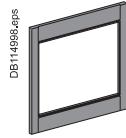


IP30 front-panel escutcheons

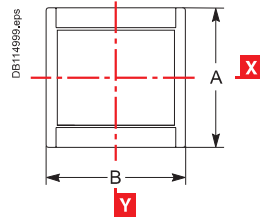
For toggle, rotary handle or motor mechanism module



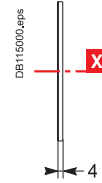
DB114987_4pps



DB114986_4pps

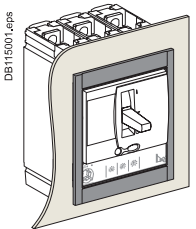


DB114986_4pps

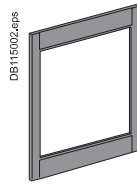


DB115000_4pps

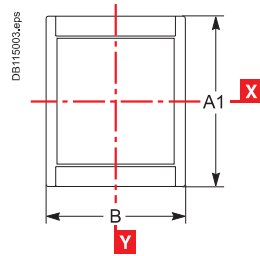
For toggle or rotary handle with access to trip unit



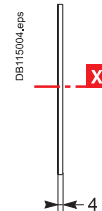
DB115001_4pps



DB115002_4pps

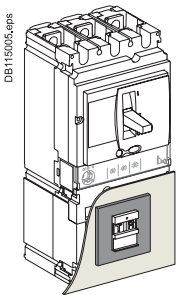


DB115002_4pps

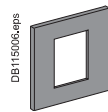


DB115004_4pps

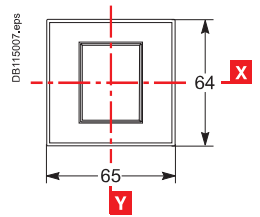
For Vigicompact



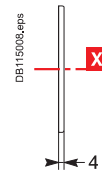
DB115005_4pps



DB115006_4pps



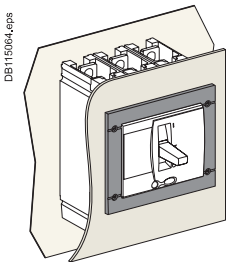
DB115007_4pps



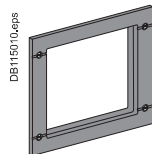
DB115008_4pps

IP40 front-panel escutcheons

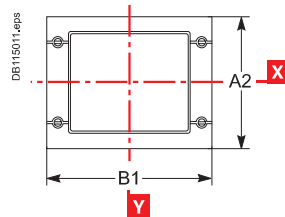
For toggle, rotary handle or motor mechanism module and protection collar



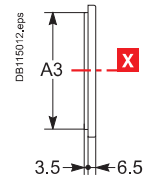
DB115004_4pps



DB115010_4pps

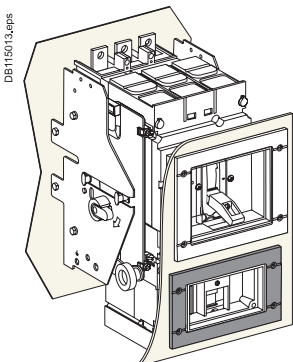


DB115011_4pps

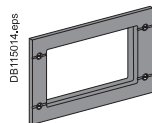


DB115012_4pps

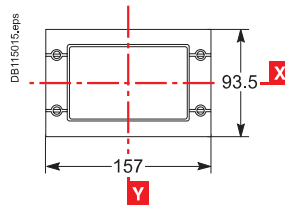
For Vigicompact with protection collar or ammeter module



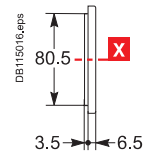
DB115013_4pps



DB115014_4pps



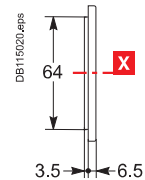
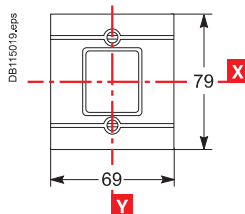
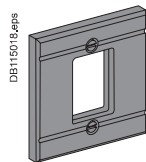
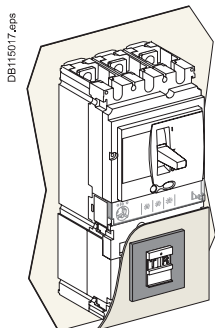
DB115015_4pps



DB115016_4pps

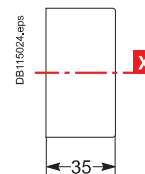
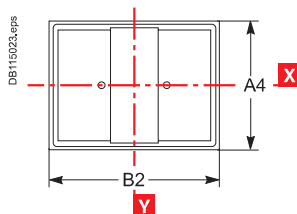
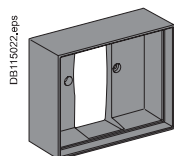
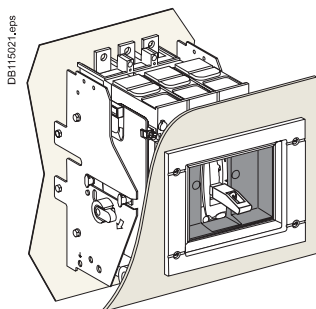
IP40 front-panel escutcheons (cont.)

For Vigicomact

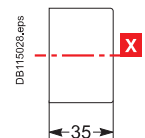
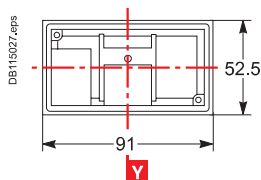
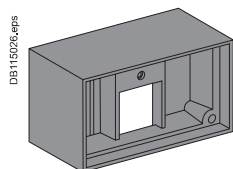
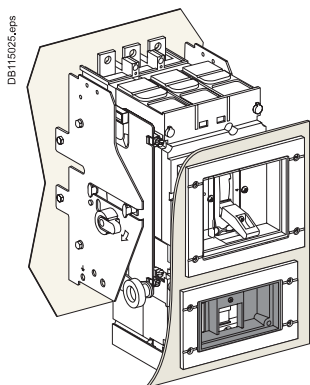


Protection collars for IP40 front-panel escutcheons

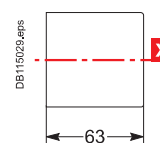
For toggle



For Vigicomact

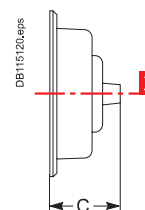
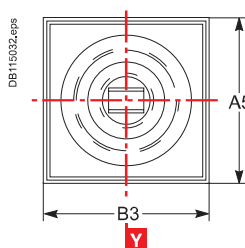
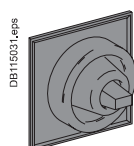
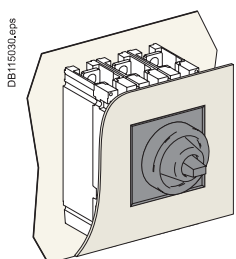


Circuit breaker with toggle or rotary handle.



Circuit breaker with motor-mechanism module.

IP43 toggle cover



Type	A	A1	A2	A3	A4	A5	B	B1	B2	B3	C
NSX100/160/250	113	138	114	101	73	85	113	157	91	103	40
NSX400/630	163	211	164	151	122.5	138	163	189	122.5	138	60

Front-panel cutouts

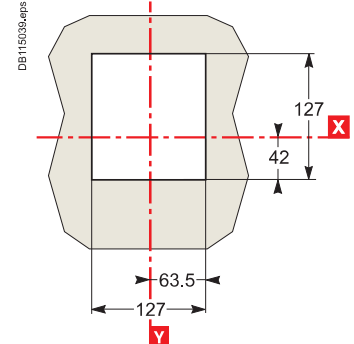
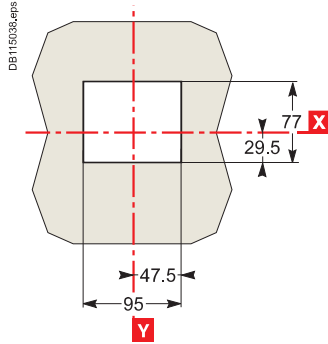
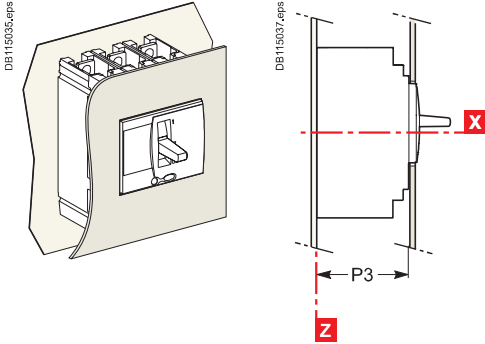
Compact NSX100 to 630 fixed version

Bare sheet metal

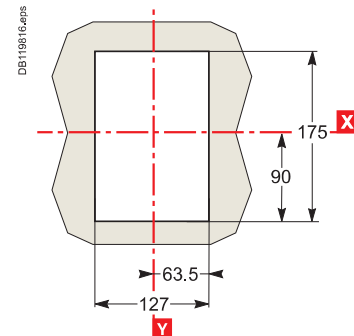
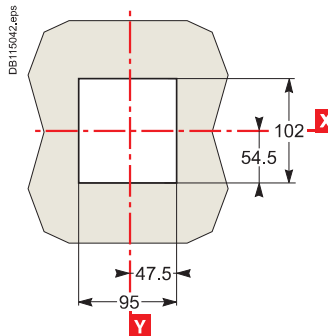
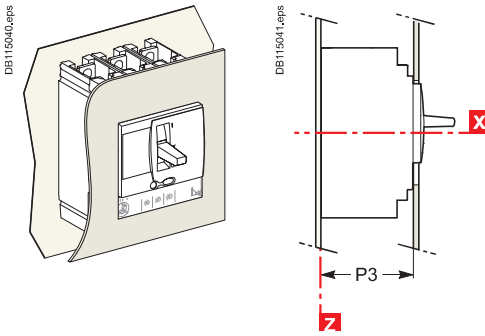
NSX100 to 250

NSX400/630

For toggle



For toggle with access to trip unit

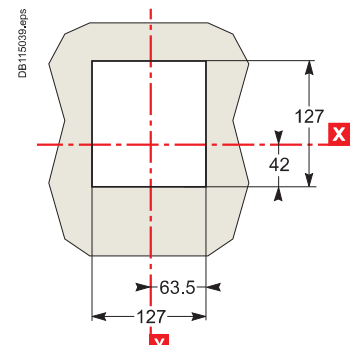
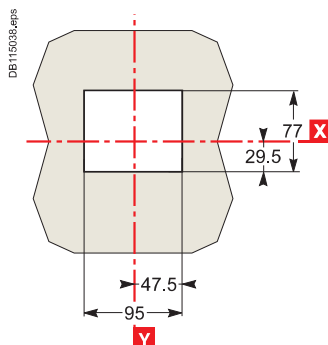
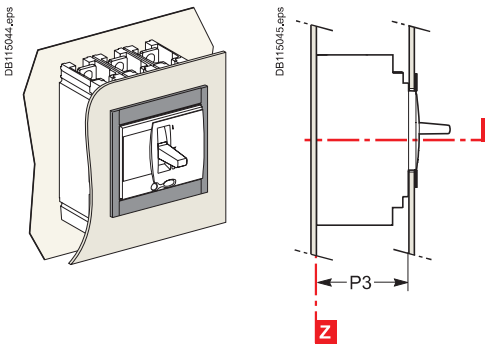


With IP30 front-panel escutcheon

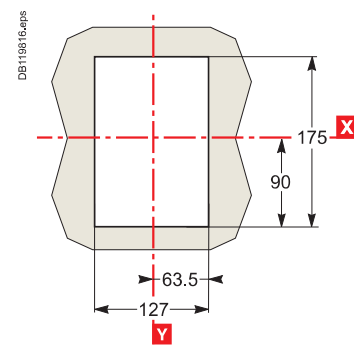
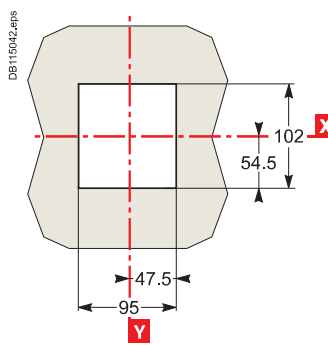
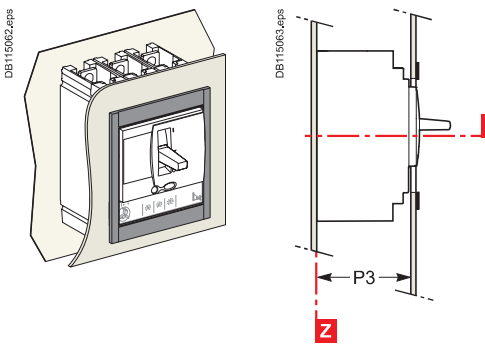
NSX100 to 250

NSX400/630

For toggle



For toggle with access to trip unit

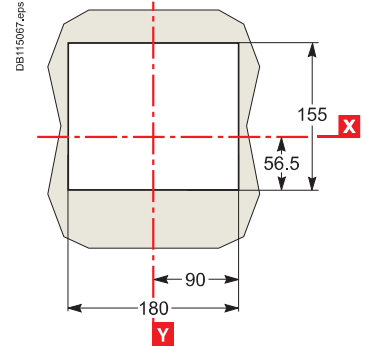
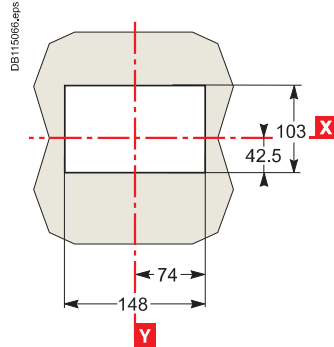
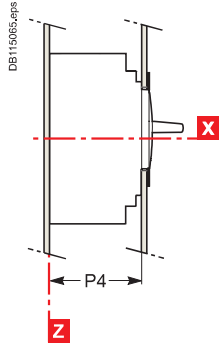
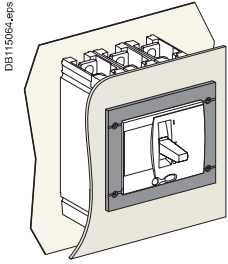


With IP40 front-panel escutcheon

NSX100 to 250

NSX400/630

For toggle

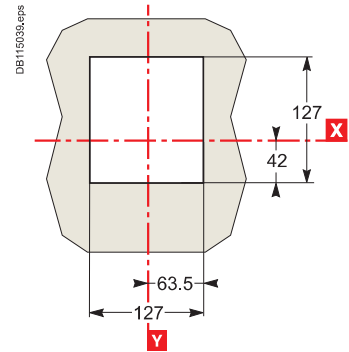
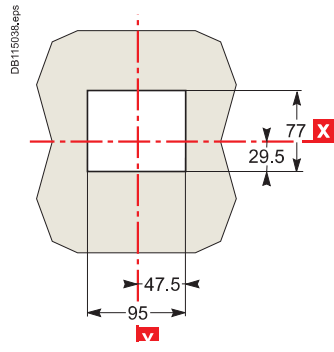
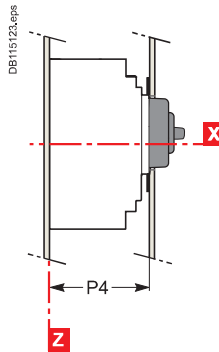
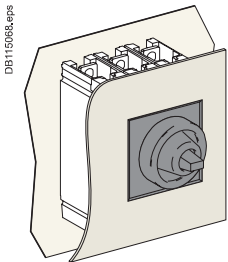


With IP43 toggle cover

NSX100 to 250

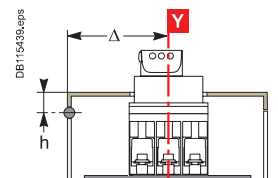
NSX400/630

For toggle



Type	P3	P4
NSX100/160/250	88	89
NSX400/630	112	113

Note: door cutout dimensions are given for a device position in the enclosure where $\Delta \geq 100 + (h \times 5)$ with respect to the door hinge.



Front-panel cutouts

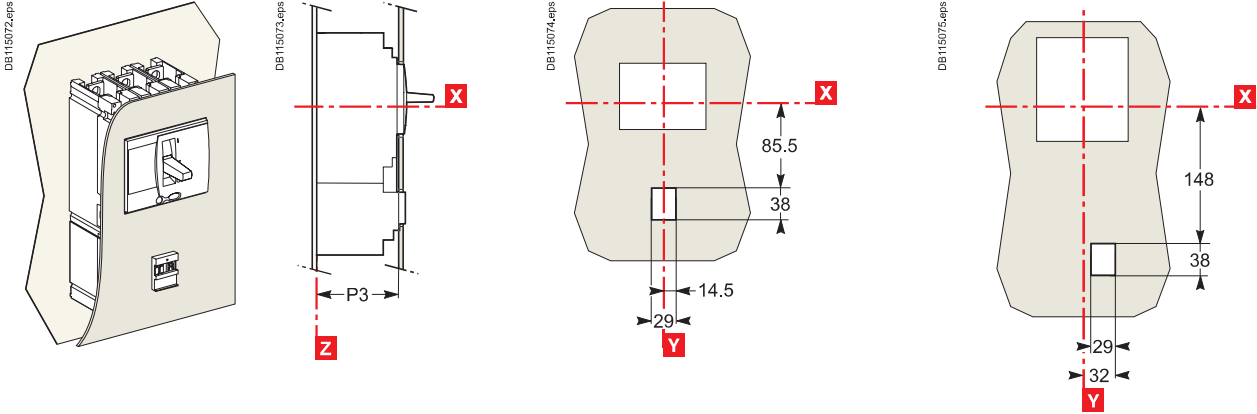
Vigicompact NSX100 to 630 fixed version

Bare sheet metal

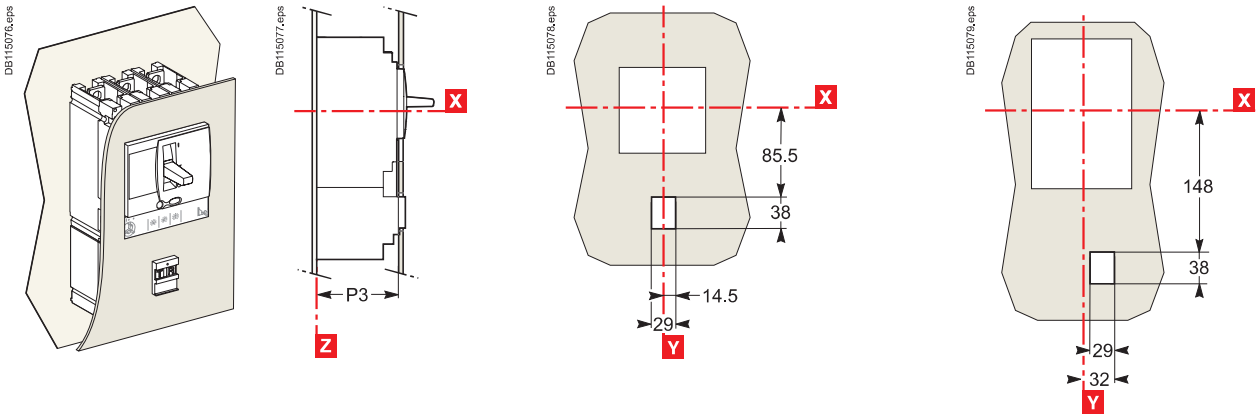
NSX100 to 250

NSX400/630

For toggle



For toggle with access to trip unit

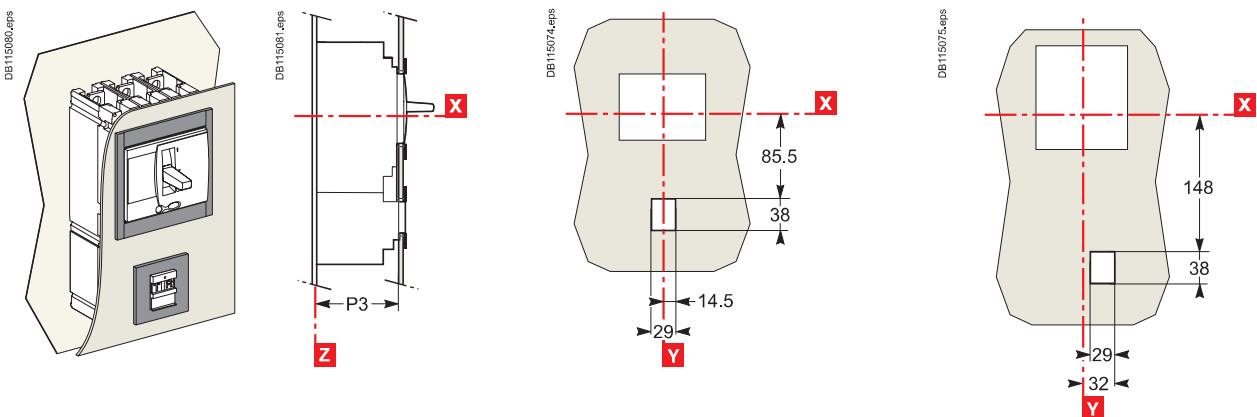


With IP30 front-panel escutcheon

NSX100 to 250

NSX400/630

For toggle

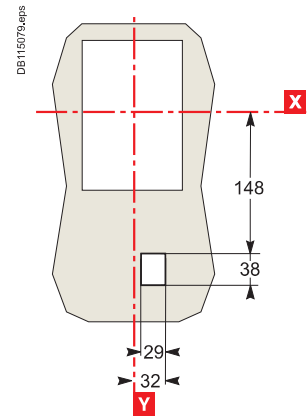
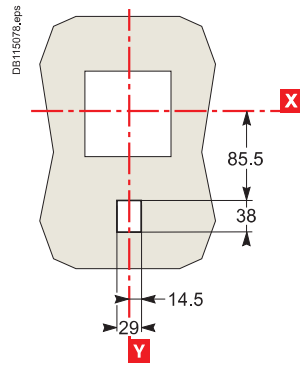
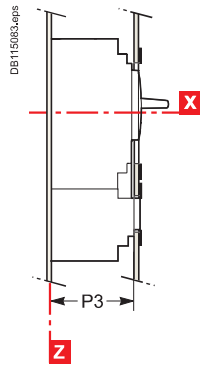
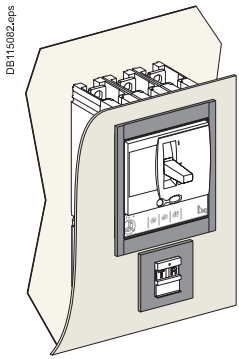


With IP30 front-panel escutcheon (cont.)

NSX100 to 250

NSX400/630

For toggle with access to trip unit

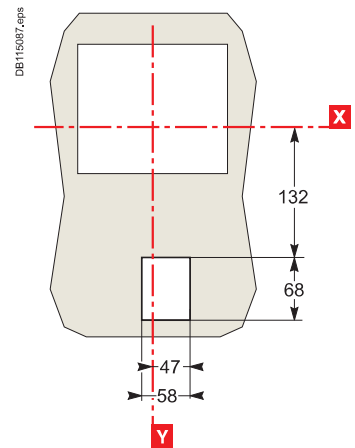
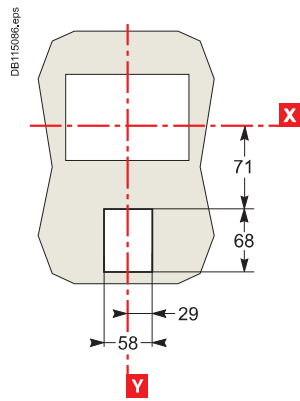
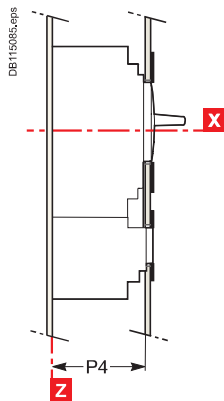
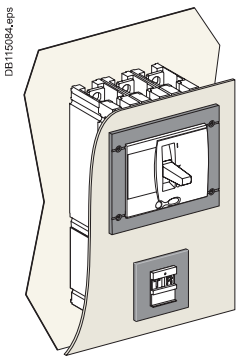


With IP40 front-panel escutcheon

NSX100 to 250

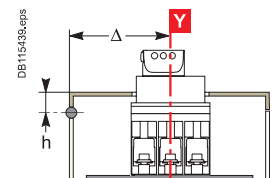
NSX400/630

For toggle



Type	P3	P4
NSX100/160/250	88	89
NSX400/630	112	113

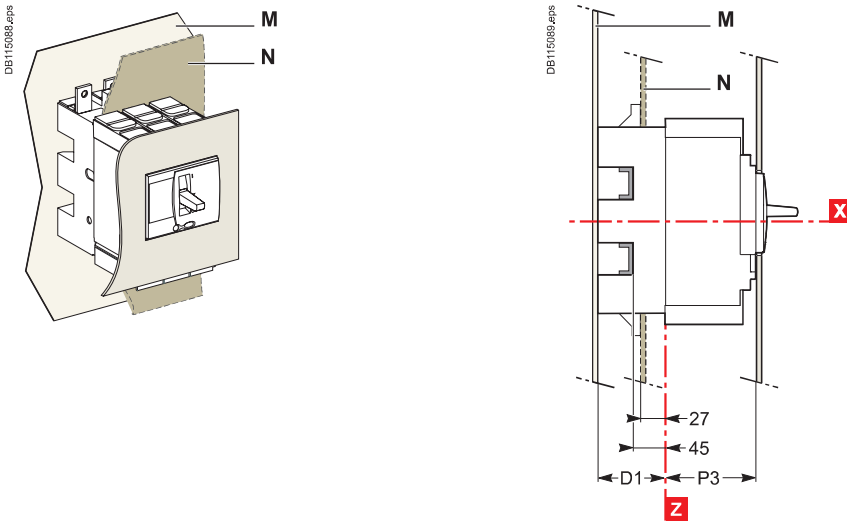
Note: door cutout dimensions are given for a device position in the enclosure where $\Delta \geq 100 + (h \times 5)$ with respect to the door hinge.



Front-panel cutouts

Compact NSX100 to 630 plug-in and withdrawable versions

Plug-in version



Bare sheet metal

See Compact NSX100 to 630 fixed version, [page C-24](#)

With IP30 front-panel escutcheon

See Compact NSX100 to 630 fixed version, [page C-24](#)

With IP40 front-panel escutcheon

See Compact NSX100 to 630 fixed version, [page C-25](#)

With toggle cover

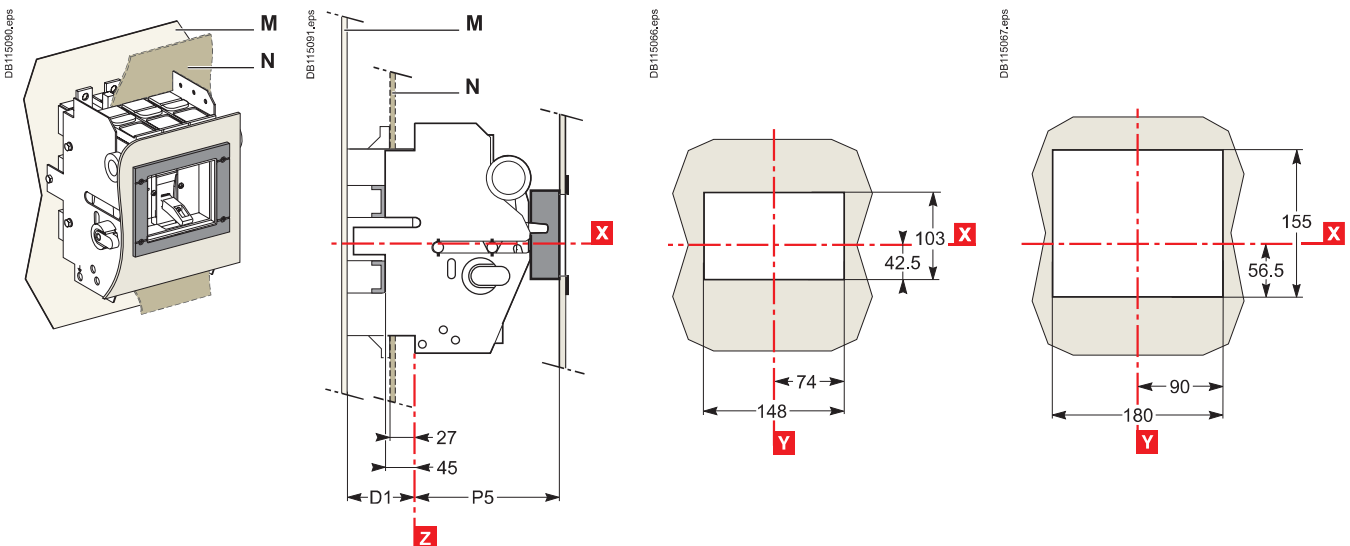
See Compact NSX100 to 630 fixed version, [page C-25](#)

Withdrawable version

NSX100 to 250

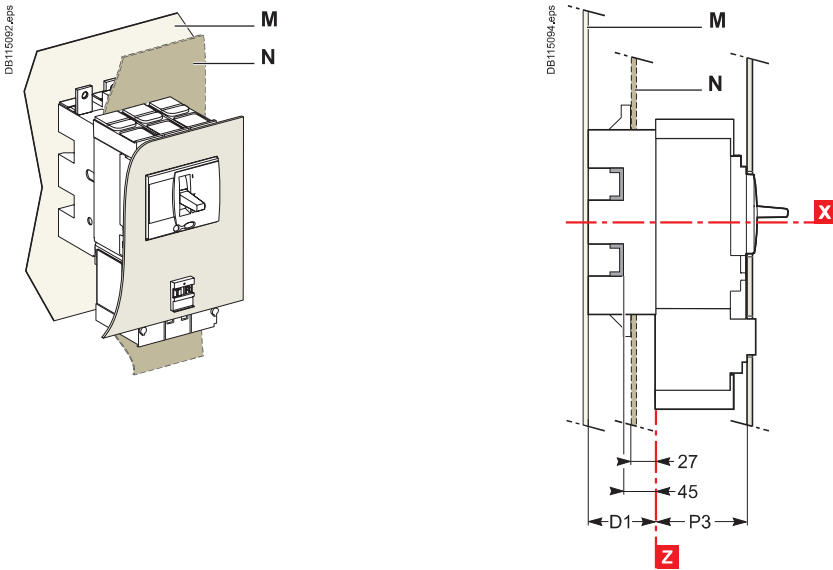
NSX400/630

With protection collar and IP40 front-panel escutcheon



Vigicompact NSX100 to 630 plug-in and withdrawable versions

Plug-in version



Bare sheet metal

See Compact NSX100 to 630 fixed version, [page C-26](#)

With IP30 front-panel escutcheon

See Compact NSX100 to 630 fixed version, [page C-26](#)

With IP40 front-panel escutcheon

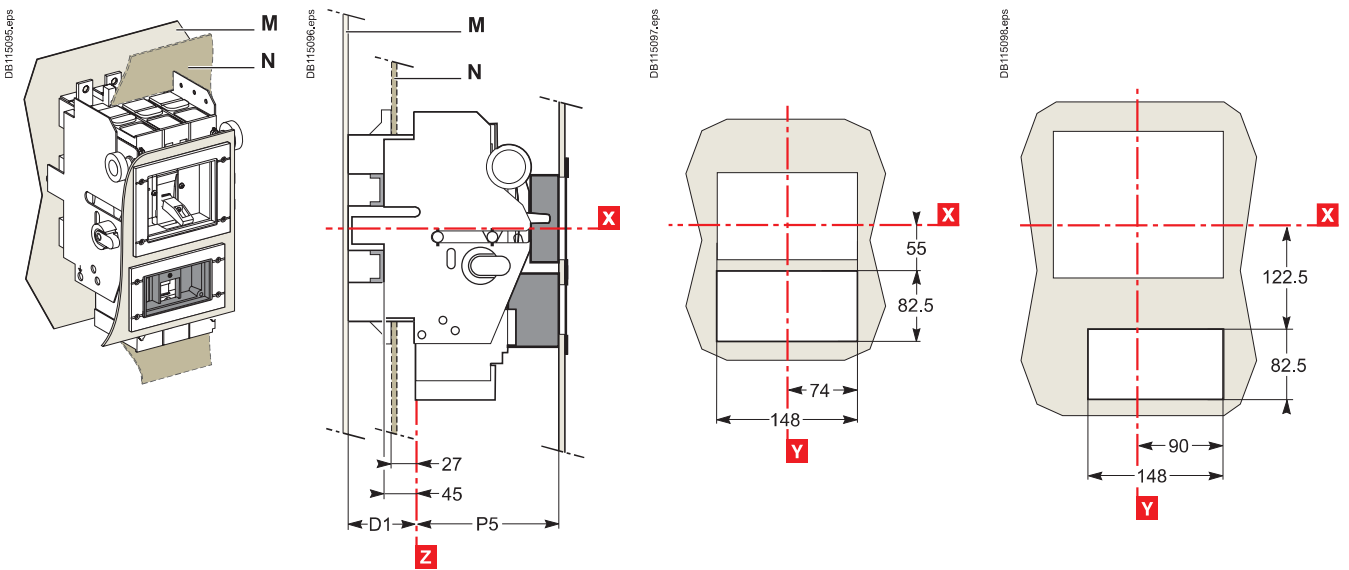
See Compact NSX100 to 630 fixed version, [page C-27](#)

Withdrawable version

NSX100 to 250

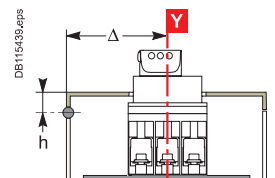
NSX400/630

With protection collar and IP40 front-panel escutcheon



Type	D1	P3	P5
NSX100/160/250	75	88	123
NSX400/630	100	112	147

Note: door cutout dimensions are given for a device position in the enclosure where $\Delta \geq 100 + (h \times 5)$ with respect to the door hinge.

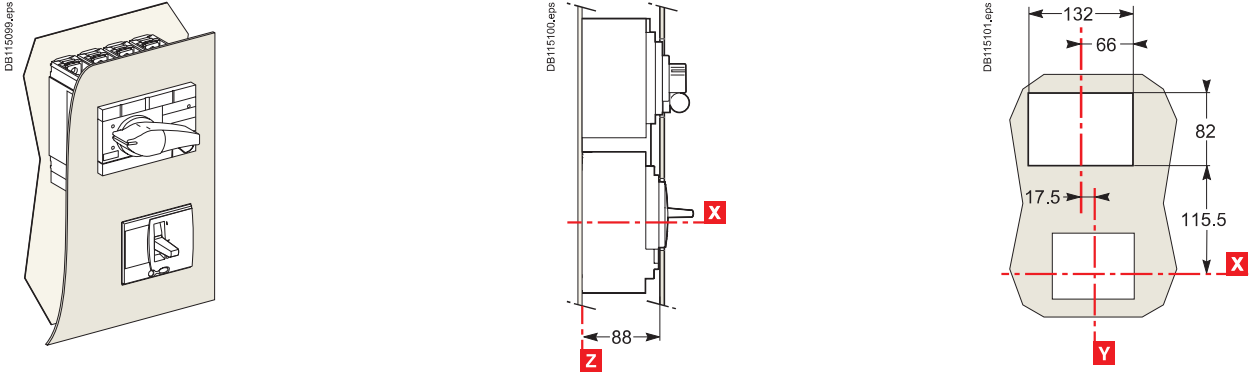


Front-panel cutouts

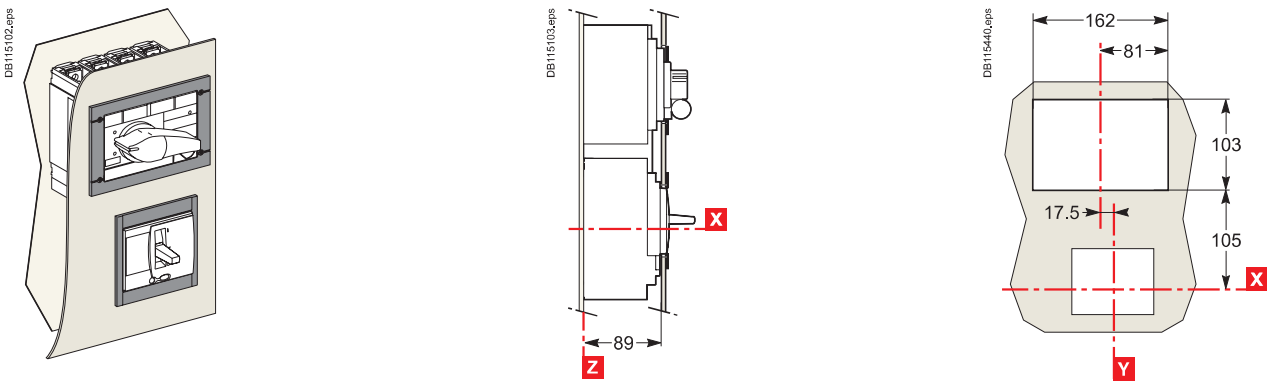
Visu function for Compact NSX100 to 630 fixed version

Compact NSX100 to 250 with Compact INV100 to 250 Visu function

Bare sheet metal

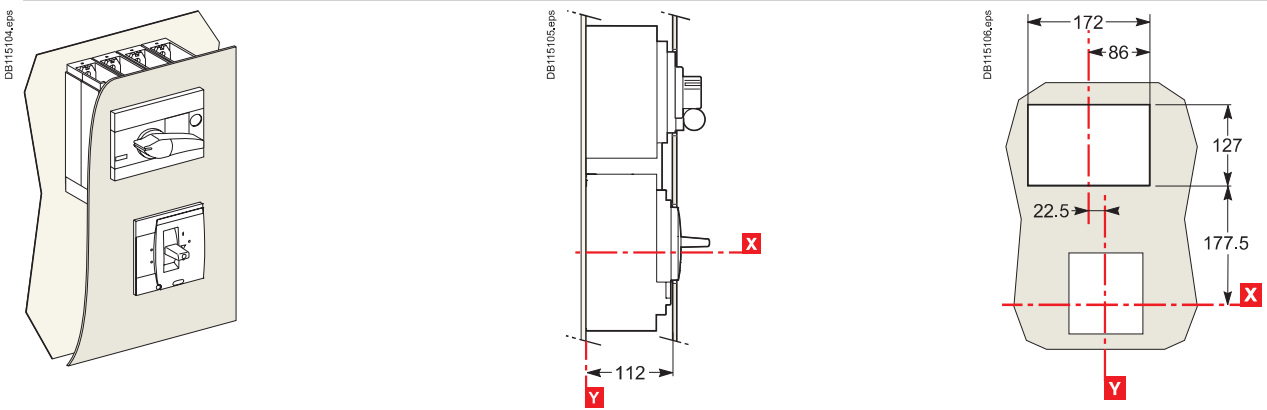


With IP40 front-panel escutcheon

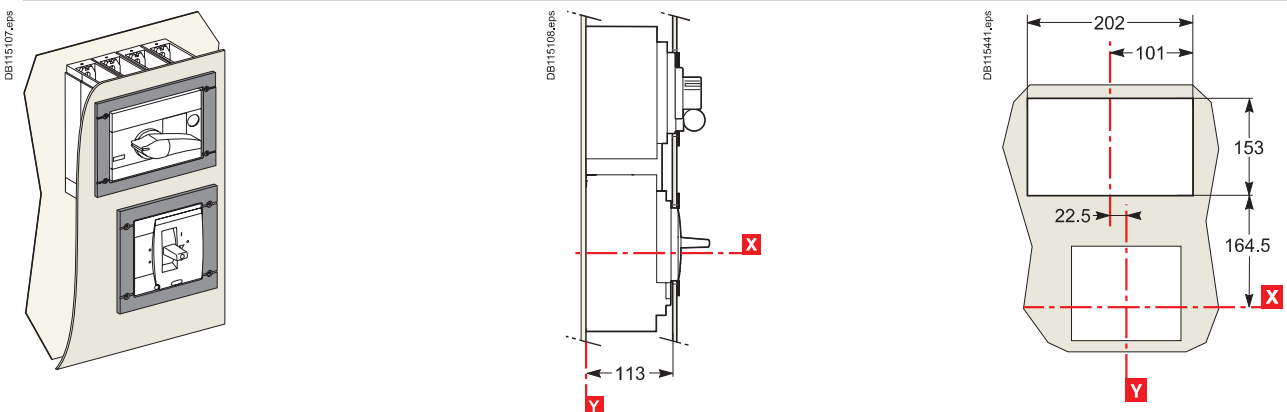


Compact NSX400/630 with Compact INV400 to 630 Visu function

Bare sheet metal



With IP40 front-panel escutcheon



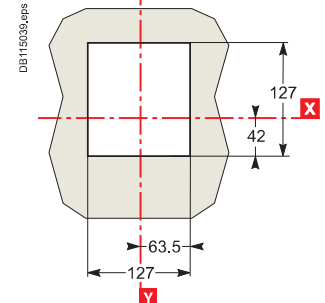
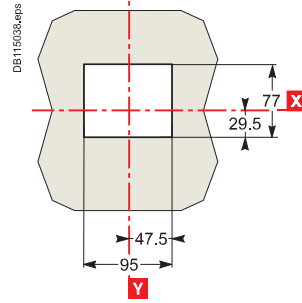
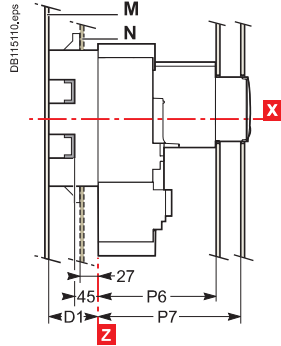
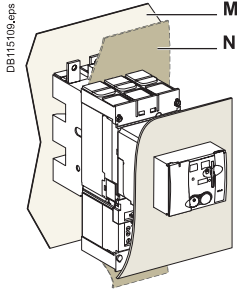
Motor mechanism module for Compact and Vigicompact NSX100 to 630

Bare sheet metal

NSX100 to 250

NSX400/630

Fixed, plug-in or withdrawable circuit breaker

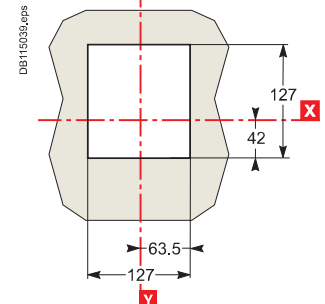
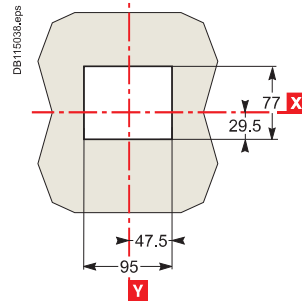
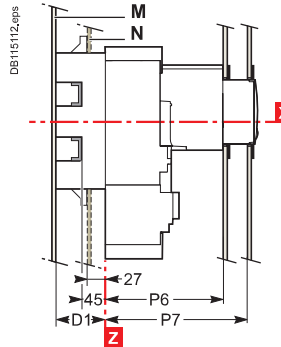
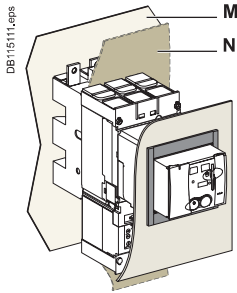


With IP30 front-panel escutcheon

NSX100 to 250

NSX400/630

Fixed, plug-in or withdrawable circuit breaker

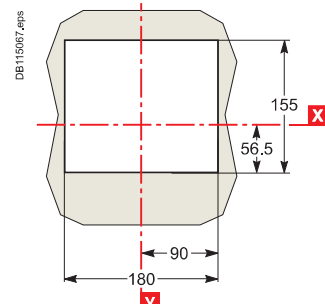
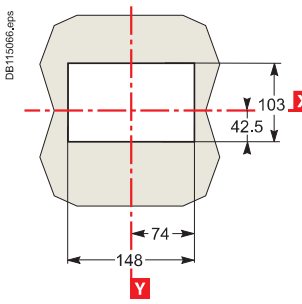
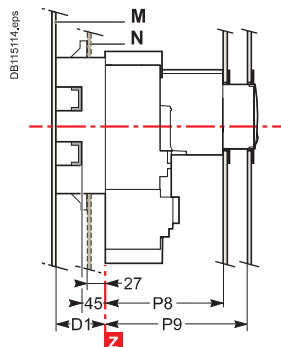
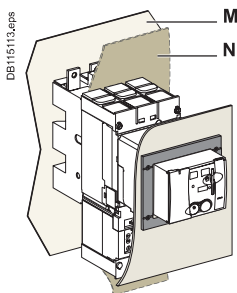


With IP40 front-panel escutcheon

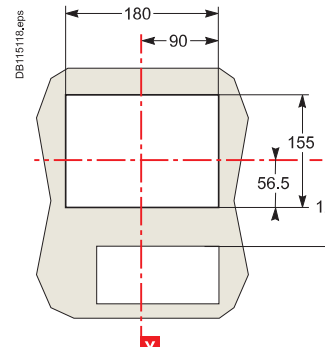
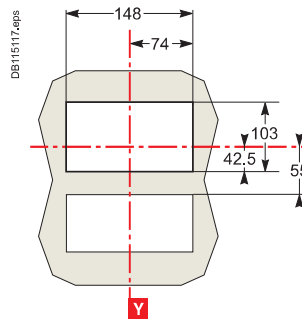
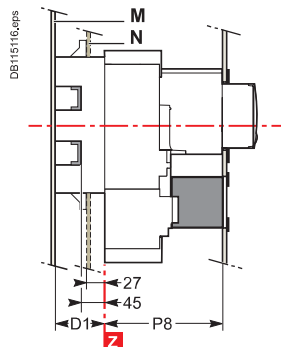
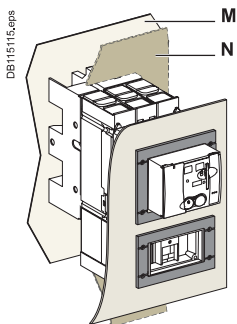
NSX100 to 250

NSX400/630

Fixed, plug-in or withdrawable circuit breaker without access to Vigi module



Fixed or plug-in circuit breaker with access to Vigi module



Type	D1	P6 (1)	P7 (2)	P8 (1)	P9 (2)
------	----	--------	--------	--------	--------

NSX100/160/250 75 145 177 146 178 (1) Plug-in version.

NSX400/630 100 217 249 218 250 (2) Withdrawable version.

Front-panel cutouts

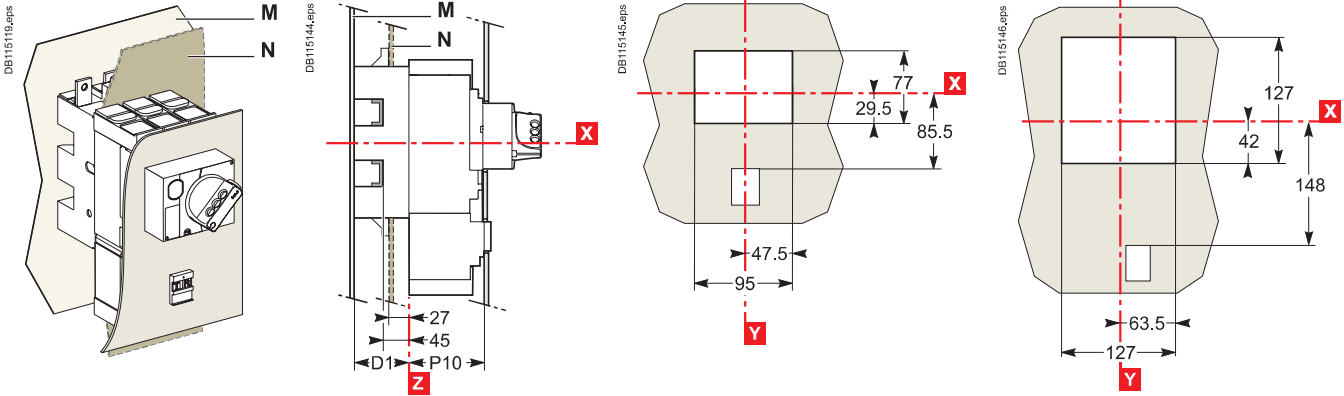
Direct rotary handle for Compact and Vigicompact NSX100 to 630

Fixed or plug-in circuit breakers

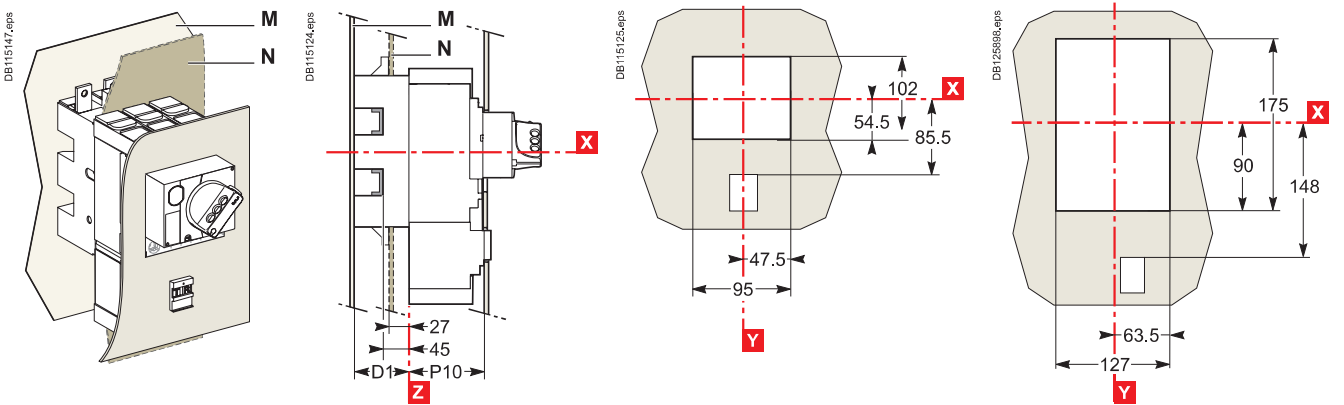
NSX100 to 250

NSX400/630

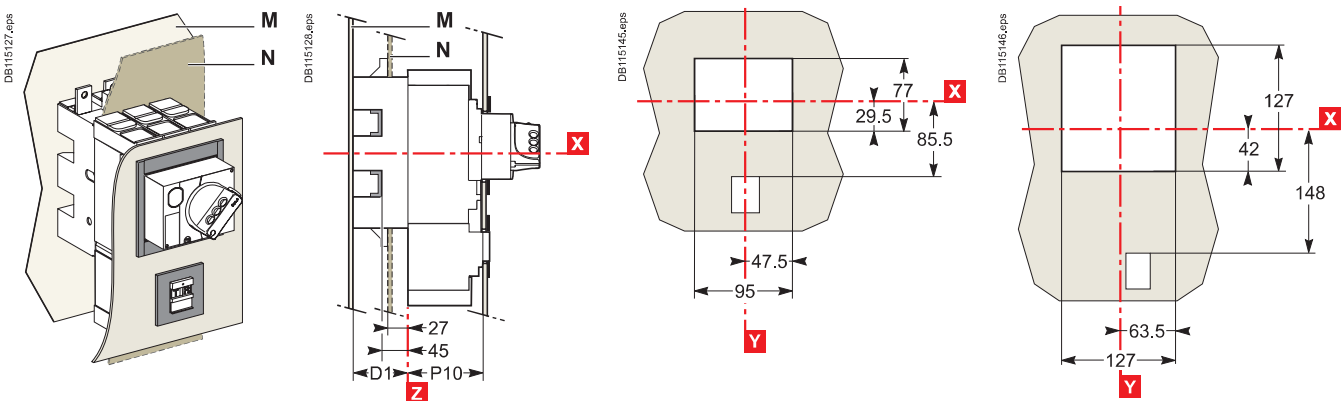
Bare sheet metal



Bare sheet metal with access to the trip unit



With IP30 front-panel escutcheon

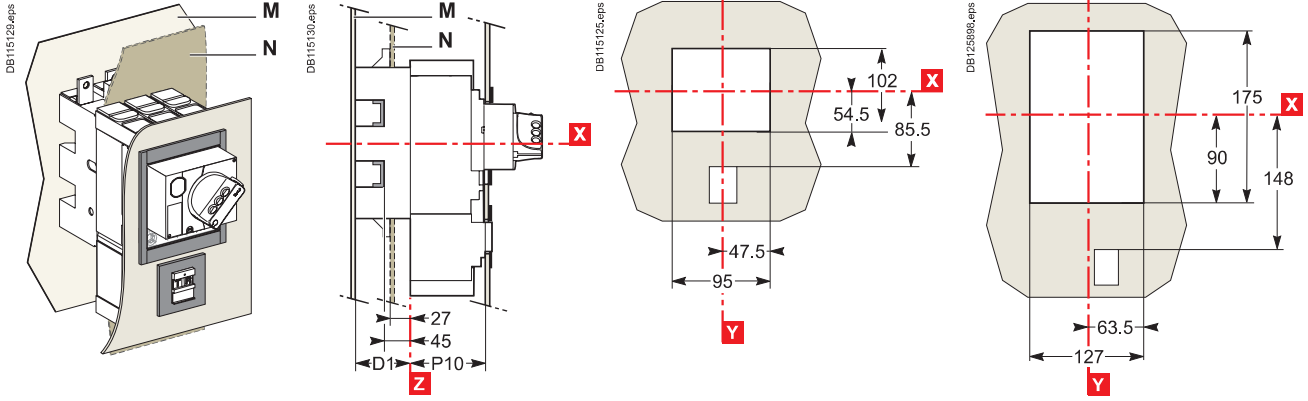


Fixed or plug-in circuit breakers (cont.)

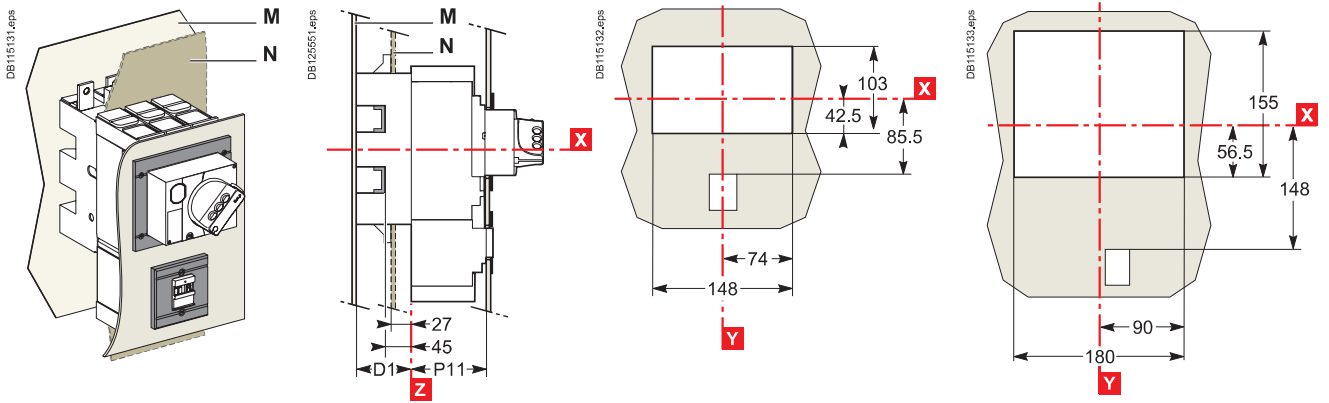
NSX100 to 250

NSX400/630

With IP30 front-panel escutcheon with access to the trip unit



With IP40 front-panel escutcheon

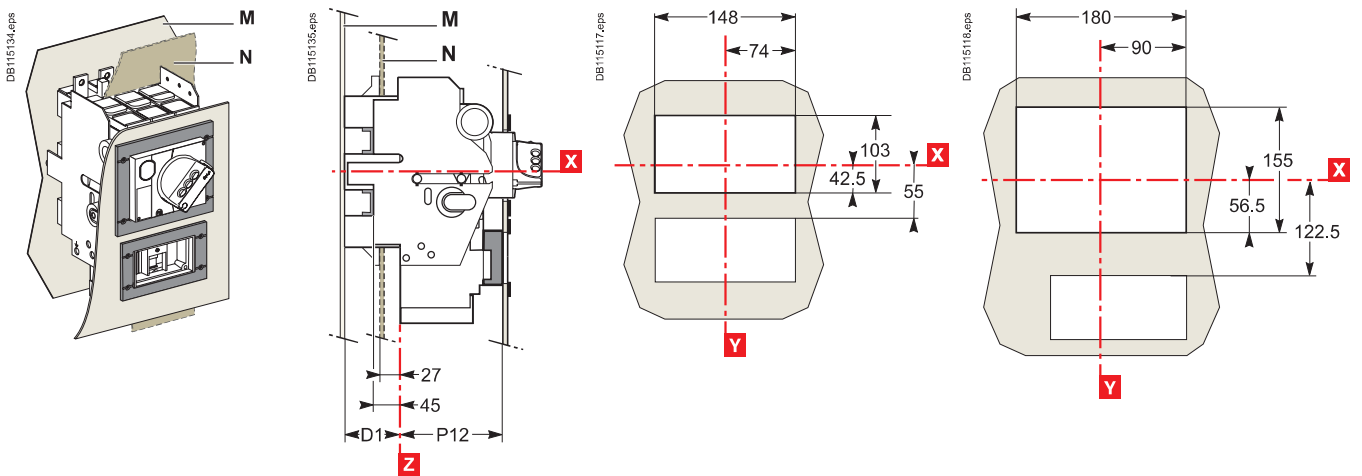


Fixed or withdrawable circuit breakers

NSX100 to 250

NSX400/630

With IP40 front-panel escutcheon



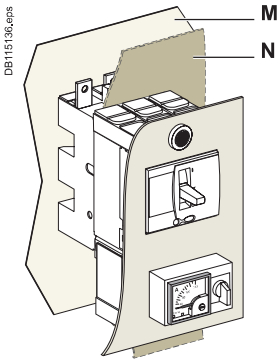
Type	D1	P10	P11	P12
NSX100/160/250	75	89	90	123
NSX400/630	100	112	113	147

Front-panel cutouts

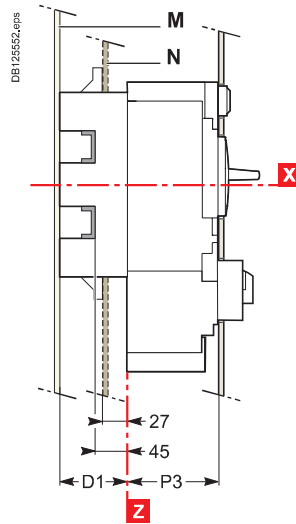
Indication and measurement modules for Compact NSX100 to 630

Fixed or plug-in circuit breakers with ammeter module and voltage-presence indicator

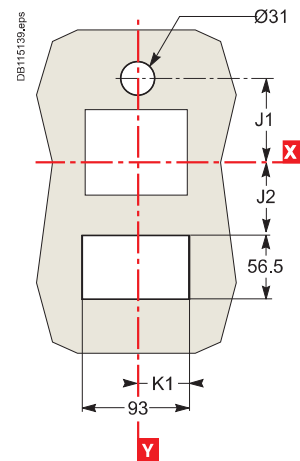
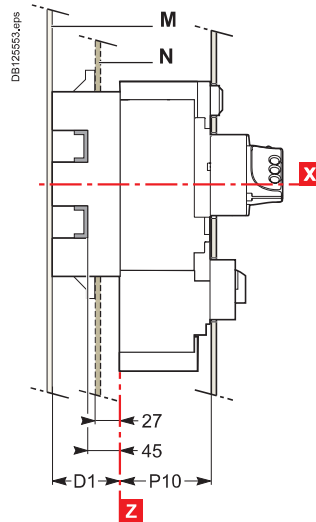
Bare sheet metal



With toggle



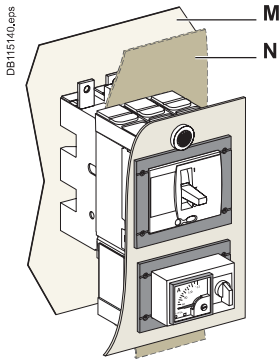
Rotary handle



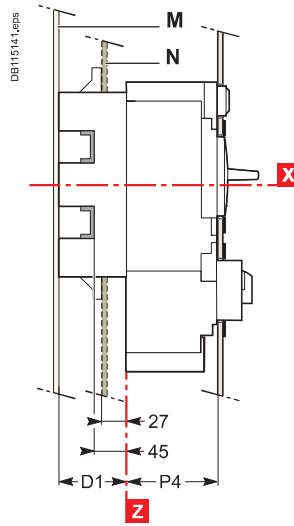
Type	D1	J1	J2	J3	K1	K2	P3	P4	P10	P11
NSX100/160/250	75	78.5	67.5	55	46.5	74	88	89	89	90
NSX400/630	100	122	129	122.5	64.5	90	112	113	112	113

Fixed or plug-in circuit breakers with ammeter module and voltage-presence indicator

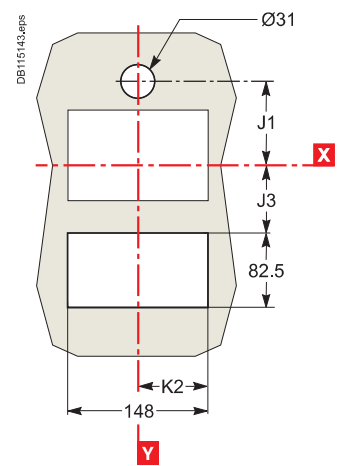
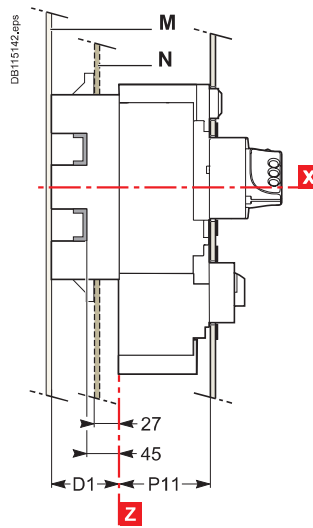
With IP40 front-panel escutcheon



With toggle

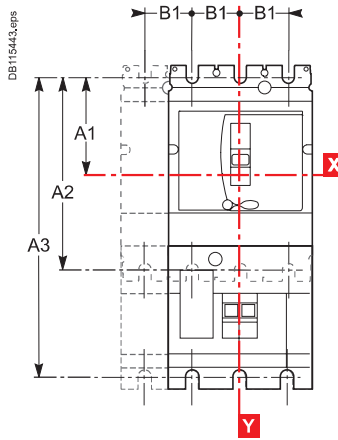
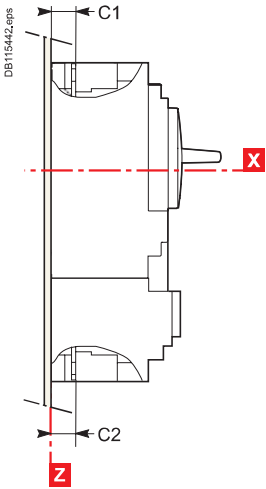


Rotary handle



Type	D1	J1	J2	J3	K1	K2	P3	P4	P10	P11
NSX100/160/250	75	78.5	67.5	55	46.5	74	88	89	89	90
NSX400/630	100	122	129	122.5	64.5	90	112	113	112	113

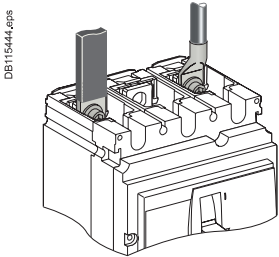
Connection locations



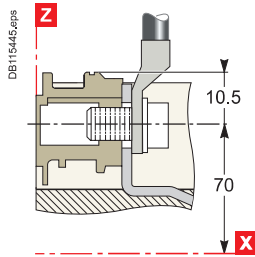
Type	A1	A2	B1	C1	C2
NSX100/160	70	140	35	19.5	19.5
NSX250	70	140	35	21.5	19.5
NSX400/630	113.5	227	45	26	26

Type	A1	A3	B1	C1	C2
NSX100/160 + Vigì	70	215	35	19.5	21.5
NSX250 + Vigì	70	215	35	21.5	21.5
NSX400/630 + Vigì	113.5	327	45	26	26

Front connection without accessories

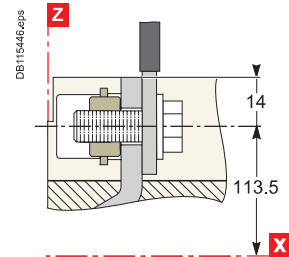


NSX100 to 250



Cables with lugs/bars

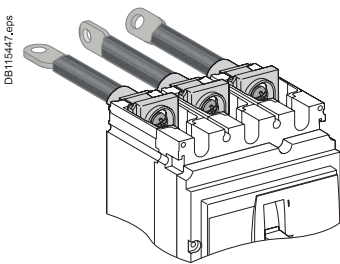
NSX400/630



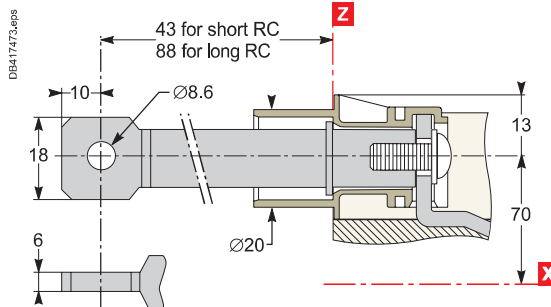
Bars/cables with lugs

Connection with accessories

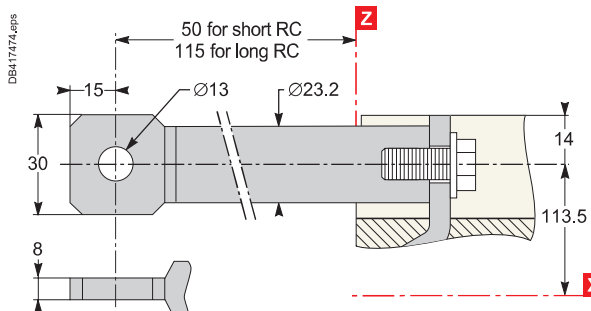
Long and short rear connectors



NSX100 to 250

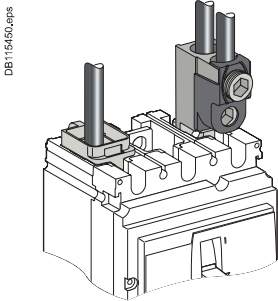


NSX400/630

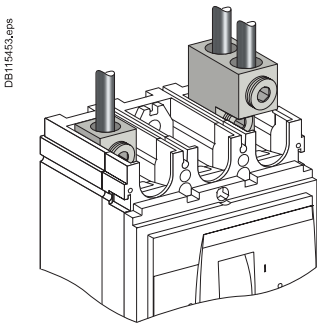
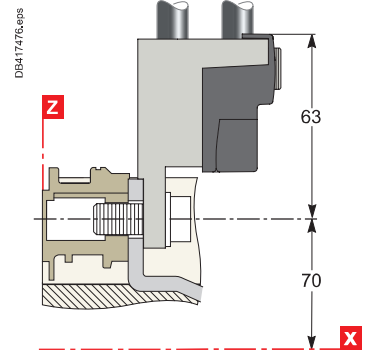
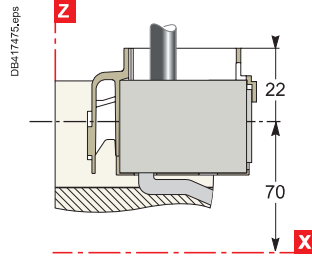


Connection with accessories (cont.)

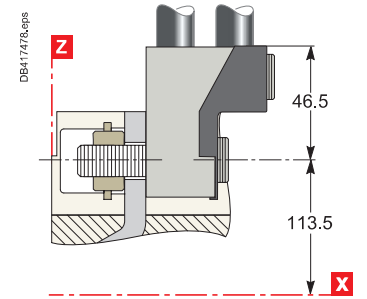
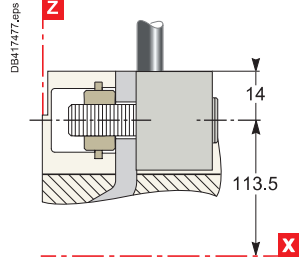
Bare-cable connectors



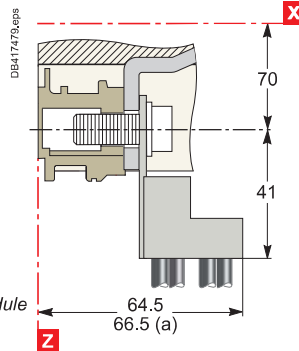
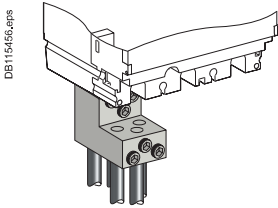
NSX100 to 250



NSX400/630

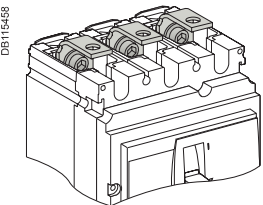


Distribution connectors (for NSX100 to 250 only)

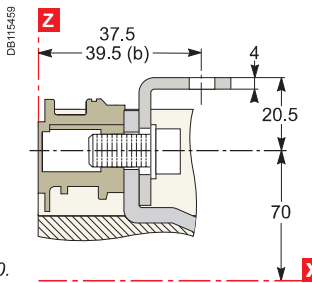


(a) Vigi module or NSX250.

Right-angle terminal extensions (upstream only)

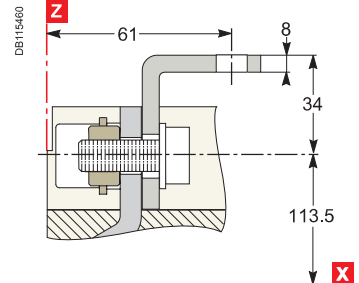


NSX100 to 250

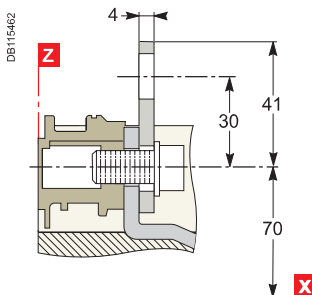
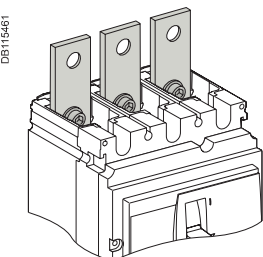


(b) NSX250.

NSX400/630



Straight terminal extensions (for NSX100 to 250 only)



Power connections

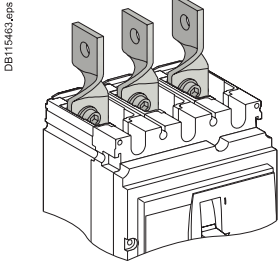
Compact and Vigicompact NSX100 to 630 fixed version

Connection with accessories (cont.)

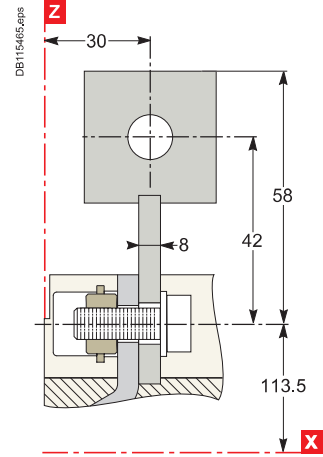
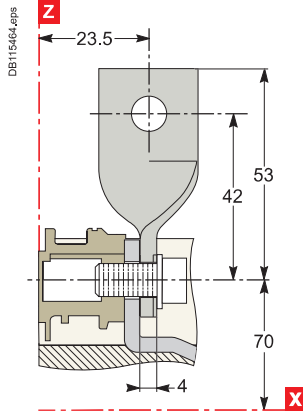
Edgewise terminal extensions

NSX100 to 250

NSX400/630



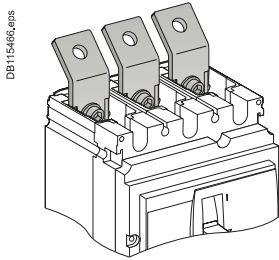
DB115463.eps



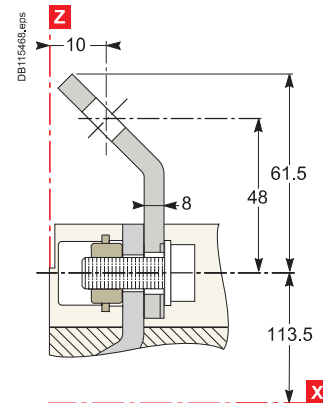
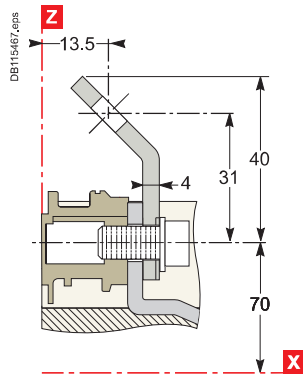
45° terminal extensions

NSX100 to 250

NSX400/630

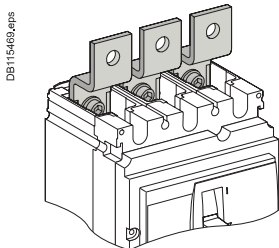


DB115466.eps

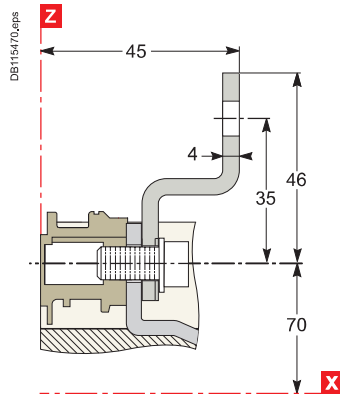


Double-L terminal extensions

NSX100 to 250



DB115469.eps



Connection with accessories (cont.)

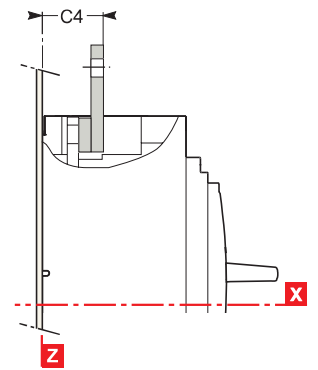
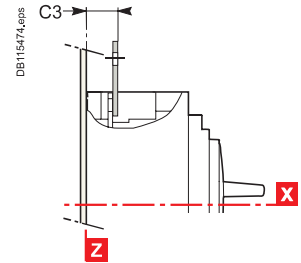
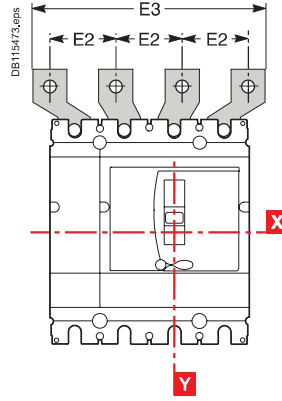
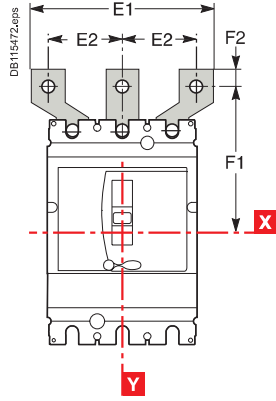
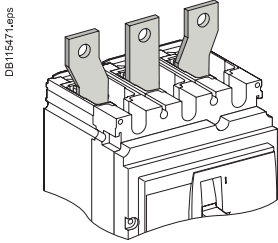
Spreaders

3P

4P

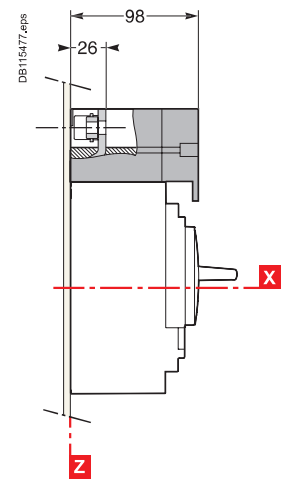
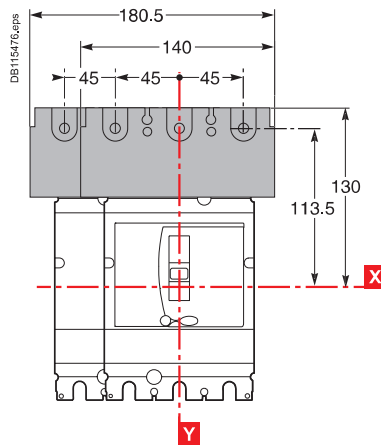
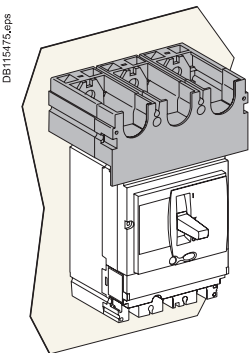
NSX100 to 250

NSX400/630



Type	C3	C4	E1	E2	E3	F1	F2
NSX100/160	23.5	-	114	45	159	100	11
NSX250	25.5	-	114	45	159	100	11
NSX400/630	-	44	135 170	52.5 70	187.5 240	152.5 166	15 15

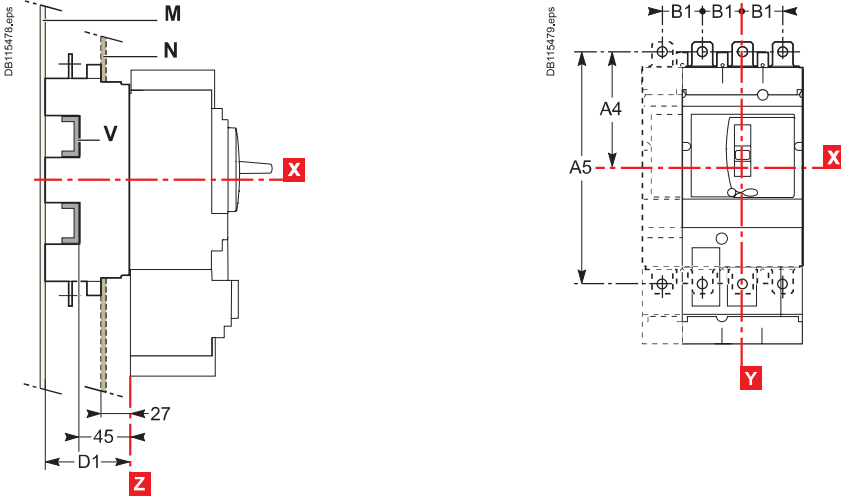
One-piece spreader (for NSX100 to 250 only)



Power connections

Compact and Vigicompact NSX100 to 630 plug-in and withdrawable versions

Connection locations



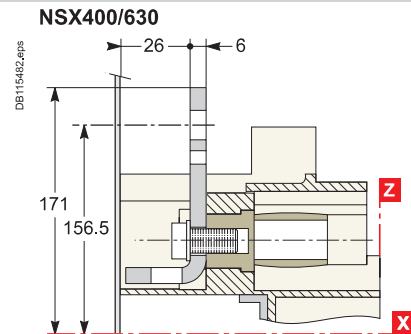
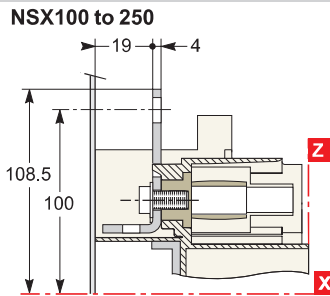
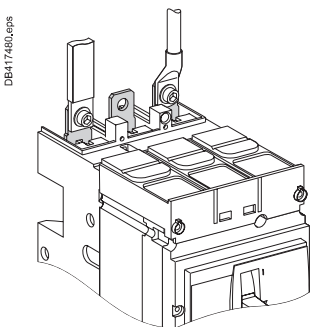
Type	A4	A5	B1	D1
NSX100 to 250	100	200	35	75
NSX400/630	156.5	313	45	100

Note:

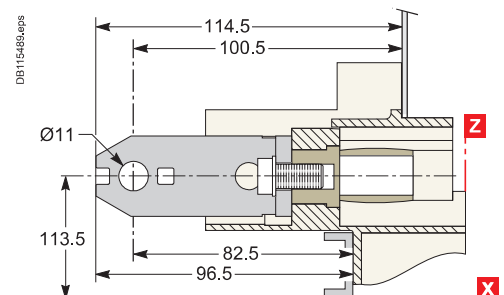
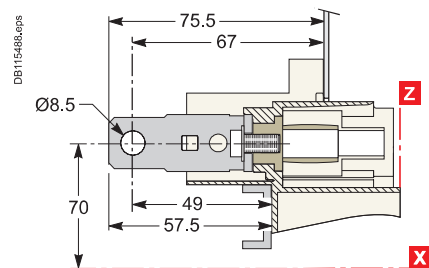
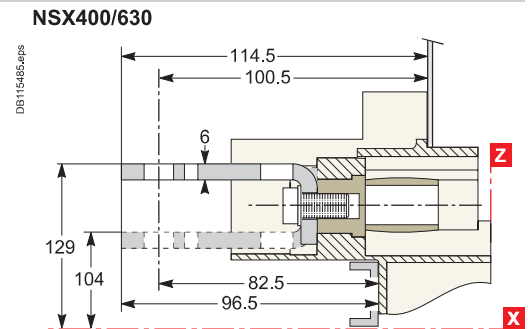
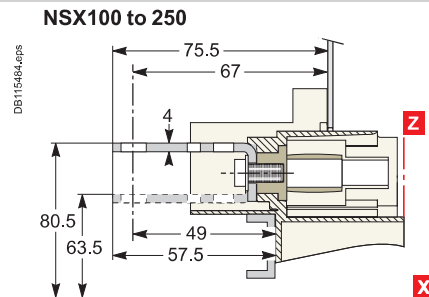
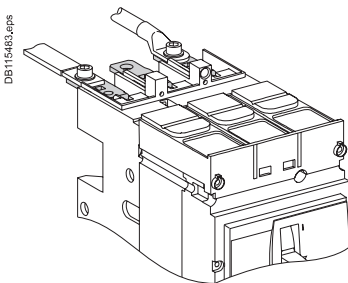
- for mounting on a backplate, the insulating screen supplied with the plug-in base must be installed.
- for withdrawable versions, terminal shields are recommended.

Connection without accessories

Front connection: mounting on backplate (M) or rails (V)

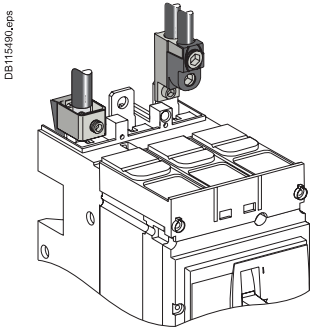


Rear connection: mounting through front panel (N) or on rails (V)

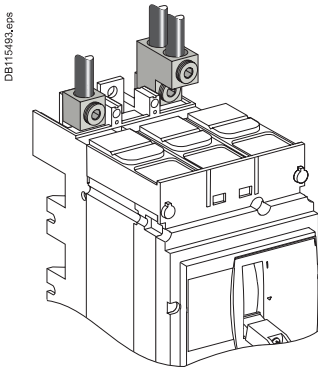
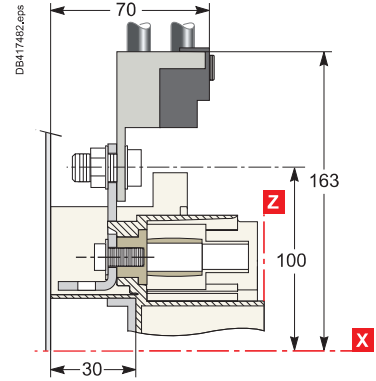
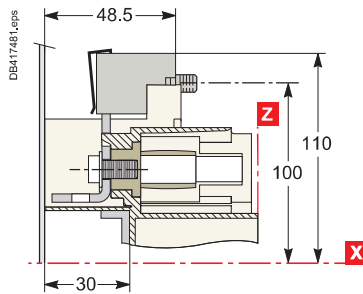


Connection with accessories

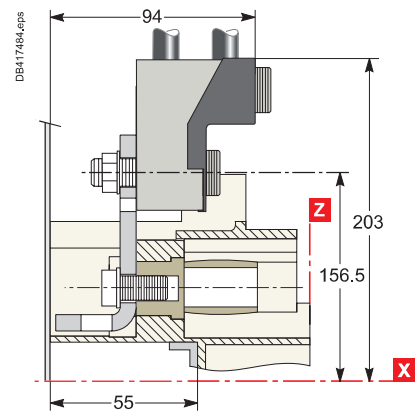
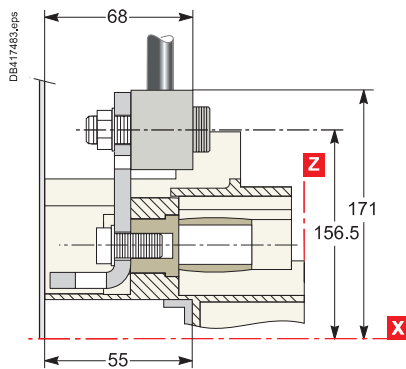
Bare-cable connectors: mounting on backplate (M) or rails (V)



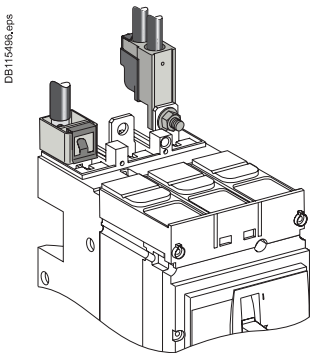
NSX100 to 250



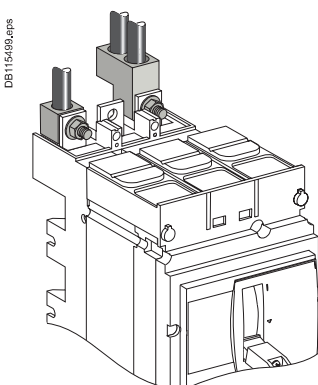
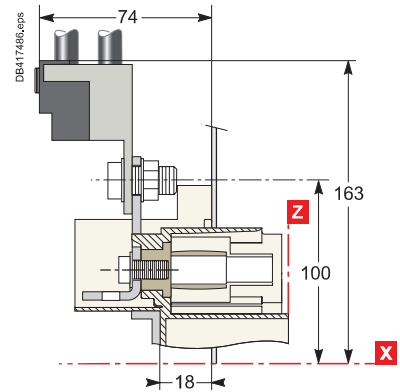
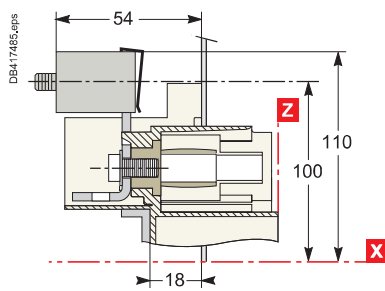
NSX400/630



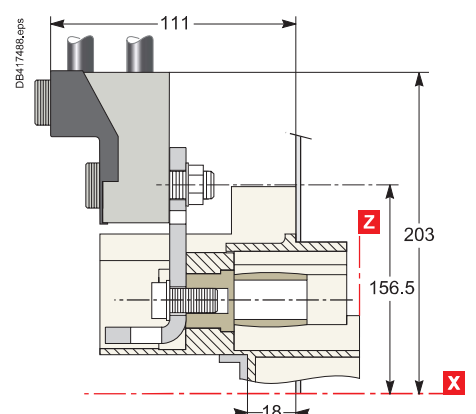
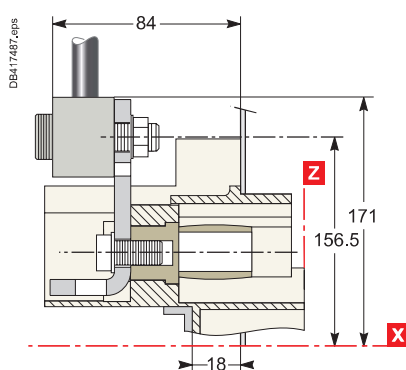
Bare-cable connectors: mounting through front panel (N) or on rails (V)



NSX100 to 250



NSX400/630

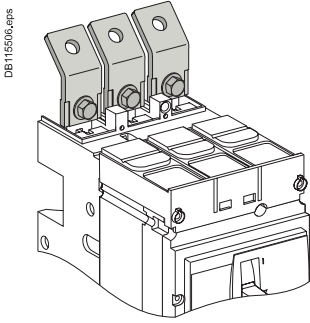


Power connections

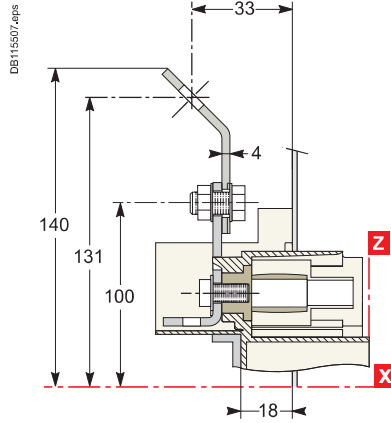
Compact and Vigicompact NSX100 to 630 plug-in and withdrawable versions

Connection with accessories (cont.)

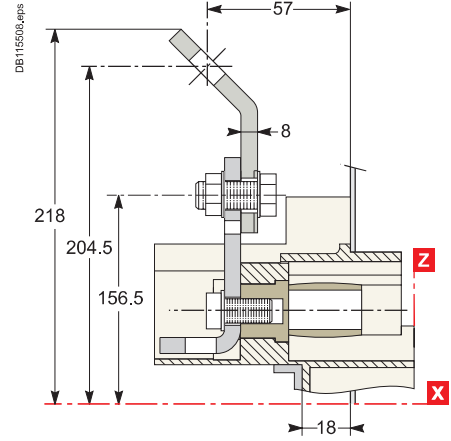
45° extensions: mounting through front panel (N) or on rails (V)



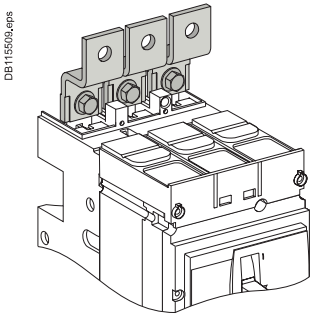
NSX100 to 250



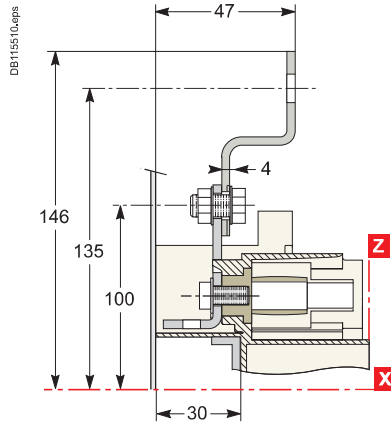
NSX400/630



Double-L extensions: mounting on backplate (M) or rails (V)

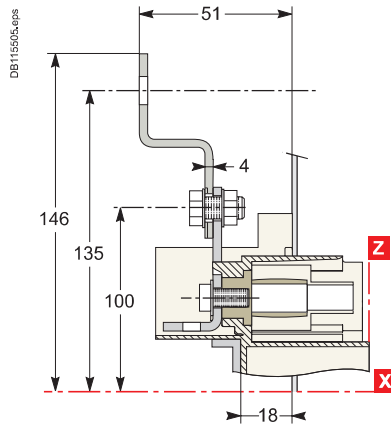


NSX100 to 250



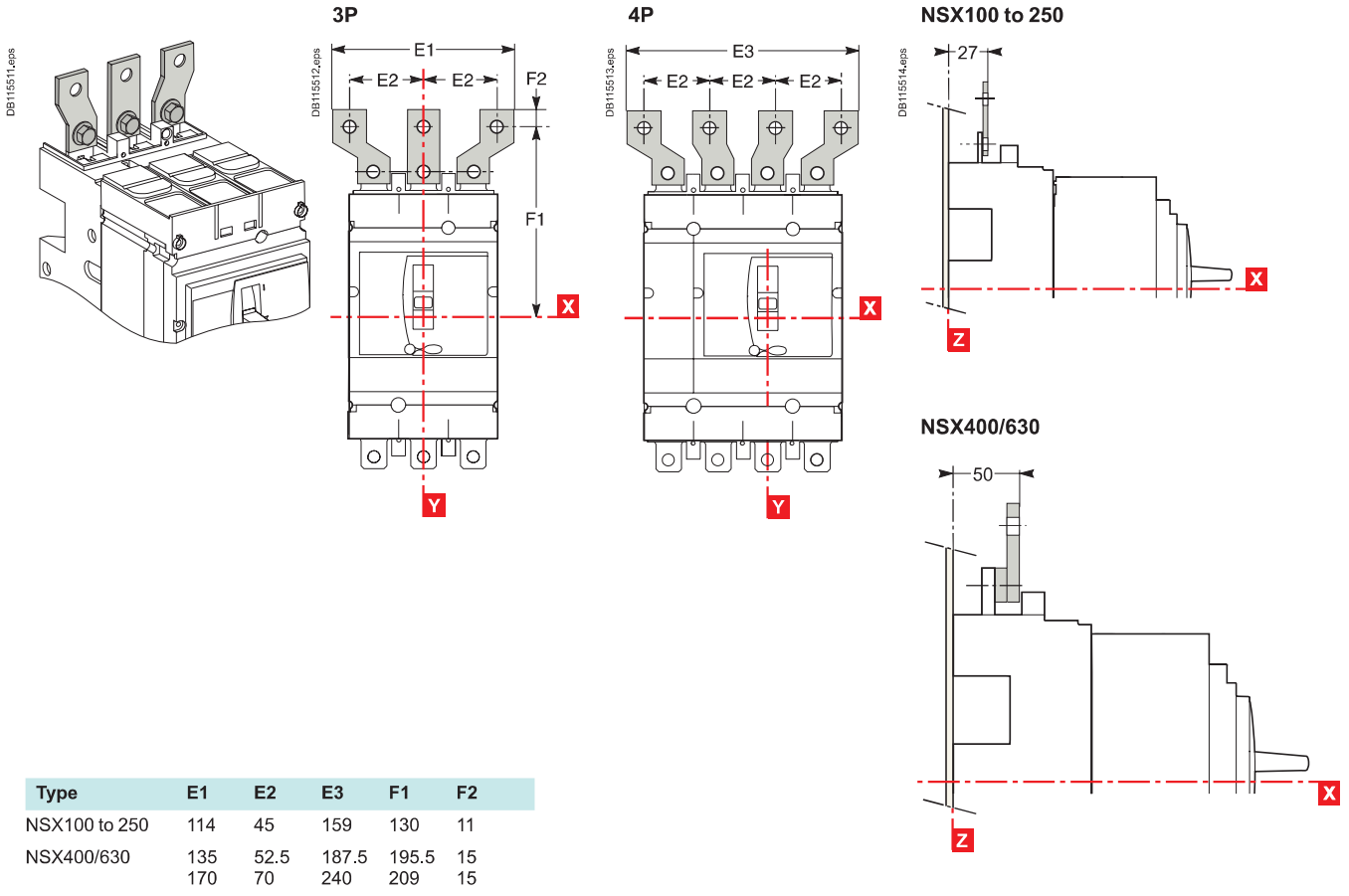
Double-L extensions: mounting through front panel (N) or on rails (V)

NSX100 to 250



Connection with accessories (cont.)

Spreaders: mounting on backplate (M) or rails (V)

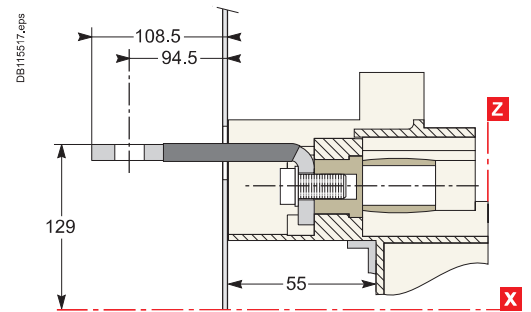
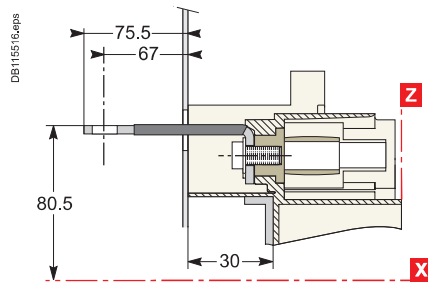
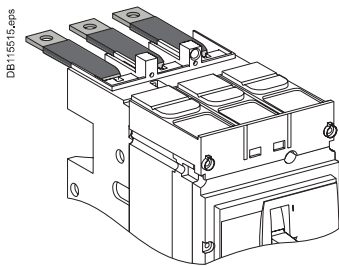


Long insulated rear connectors: mounting on backplate (M) or rails (V)

Exterior-mounted rear connectors

NSX100 to 250

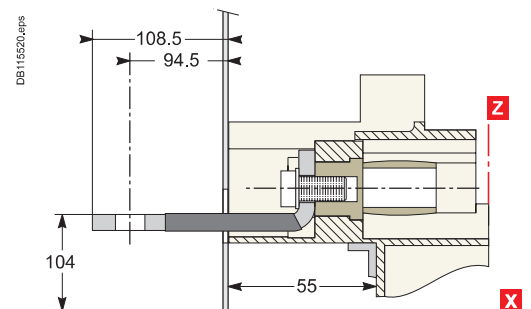
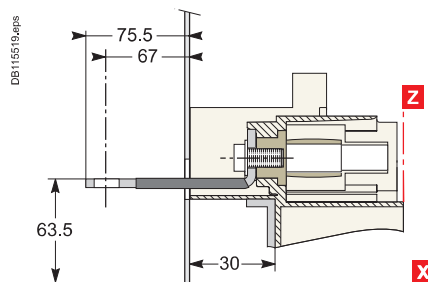
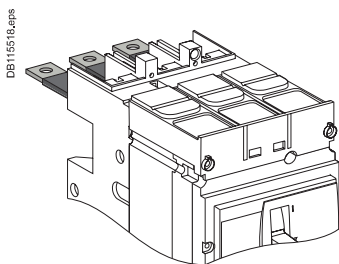
NSX400/630



Interior-mounted rear connectors

NSX100 to 250

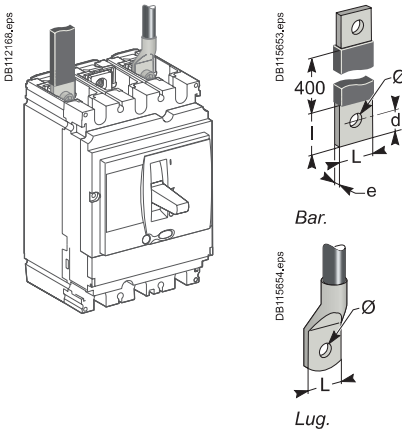
NSX400/630



Long insulated connectors are mandatory.

Power connections

Connection of insulated bars or cables with lugs to Compact and Vigicompact NSX100 to 630



Direct connection for NSX100 to 630

Dimensions	NSX100	NSX160/250	NSX400/630	
Bars	L (mm)	≤ 25	≤ 25	≤ 32
	l (mm)	d + 10	d + 10	d + 15
	d (mm)	≤ 10	≤ 10	≤ 15
	e (mm)	≤ 6	≤ 6	3 ≤ e ≤ 10
	Ø (mm)	6.5	8.5	10.5
Lugs	L (mm)	≤ 25	≤ 25	≤ 32
	Ø (mm)	6.5	8.5	10.5
Torque (Nm) ⁽¹⁾	10	15	50	
Torque (Nm) ⁽²⁾	5/5	5/5	20/11	
Torque (Nm) ⁽³⁾	8	8	20	

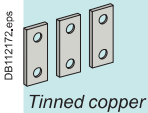
(1) Tightening torque on the circuit breaker for lugs or bars.

(2) Tightening torque on fixed devices for rear connectors/tightening torque on plug-in or withdrawable devices for power connectors.

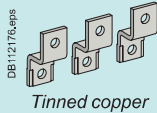
(3) Tightening torque on the plug-in base for terminal extensions.

Accessories for NSX100 to 250

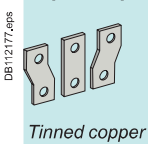
Straight terminal extensions



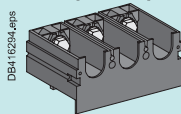
Double-L terminal extensions



Spreaders: separate parts



one-piece spreader



For U > 600 V, the mandatory insulation kit is not compatible with spreaders made up of separate parts. The one-piece spreader must be used.

Connection with accessories for NSX100 to 250 (IEC 228)

Pole pitch

Without spreaders	35 mm
With spreaders	45 mm

Dimensions

With spreaders or terminal extensions

	NSX100	NSX160/250
Bars	L (mm)	≤ 25
	l (mm)	20 ≤ l ≤ 25
	d (mm)	≤ 10
	e (mm)	≤ 6
	Ø (mm)	6.5
Lugs	L (mm)	≤ 25
	Ø (mm)	6.5
Torque (Nm) ⁽¹⁾	10	15
Torque (Nm) ⁽²⁾	5	5

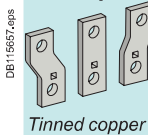
(1) Tightening torque on the circuit breaker for spreaders or terminal extensions.

(2) Tightening torque on the plug-in base for spreaders or terminal extensions.

Spreaders and straight, right-angle, 45°, double-L and edgewise terminal extensions are supplied with flexible interphase barriers.

Accessories for NSX400 and 630

Spreaders made up of separate parts for 52.5 and 70 mm pitch



For U > 600 V, use of the 52.5 mm pitch spreaders requires a specific insulation kit. The 70 mm pitch spreaders may not be used.

Connection with accessories for NSX400 and 630 (IEC 228)

Pole pitch

Without spreaders	45 mm
With spreaders	52.5 or 70 mm

Dimensions

With spreaders

With terminal extensions

	With spreaders	With terminal extensions
Bars	L (mm)	≤ 40
	l (mm)	d + 15
	d (mm)	≤ 20
	e (mm)	3 ≤ e ≤ 10
	Ø (mm)	12.5
Lugs	L (mm)	≤ 40
	Ø (mm)	12.5
Torque (Nm) ⁽¹⁾	50	50
Torque (Nm) ⁽²⁾	20	20

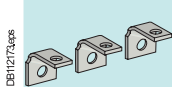
(1) Tightening torque on the circuit breaker for spreaders or terminal extensions.

(2) Tightening torque on the plug-in base for spreaders or terminal extensions.

Spreaders and right-angle, 45° and edgewise terminal extensions are supplied with flexible interphase barriers.

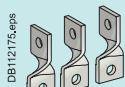
Accessories for NSX100 to 630

Right-angle terminal extensions



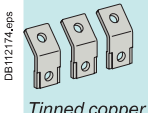
Tinned copper
To be mounted on upstream side.

Edgewise terminal extensions

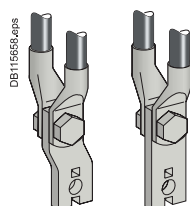


Tinned copper

45° terminal extensions

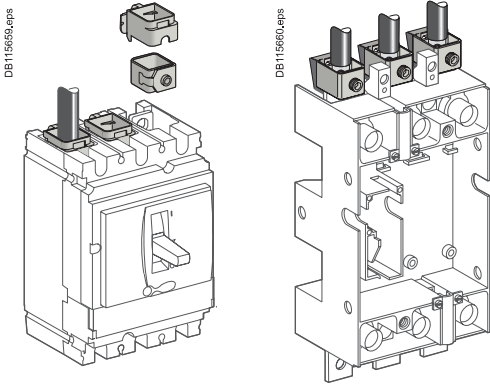


Tinned copper

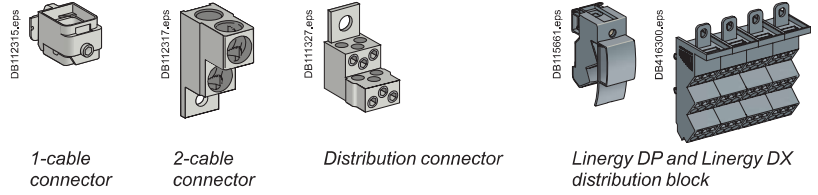


Mounting detail: 2 cables with lugs.

Connection of bare cables to Compact and Vigicompact NSX100 to 630



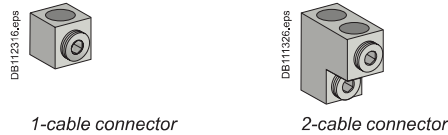
Connection for NSX100 to 250



	1-cable connector	Steel ≤ 160 A	Aluminium ≤ 250 A		
DB115663.eps 	L (mm)	25	25		
	S (mm ²) Cu / Al	1.5 to 95 ⁽¹⁾	25 to 50	70 to 95	120 to 185 150 max. flex.
	Torque (Nm)	12	20	26	26
2-cable connector					
	L (mm)	25 or 50			
	S (mm ²) Cu / Al	2 x 50 to 2 x 120			
	Torque (Nm)	22			
6-cable distribution connector (copper or aluminium)					
	L (mm)	15 or 30			
	S (mm ²) Cu / Al	1.5 to 6 ⁽¹⁾	8 to 35		
	Torque (Nm)	4	6		
Linergy DX and Linergy DP distribution block (6 or 9 cables)					
	L (mm)	12	16		
	S (mm ²) Cu / Al	6 x 4 to 10	3 x 6 to 16		

(1) For flexible cables from 1.5 to 4 mm², connection with crimped or self-crimping ferrules.

Connection for NSX400 and 630



	1-cable connector	2-cable connector	
DB115663.eps 	L (mm)	30	30 or 60
	S (mm ²) Cu / Al	35 to 300 rigid 240 max. flex.	2 x 35 to 2 x 240 rigid 240 max. flex.
	Torque (Nm)	31	31

Conductor materials and electrodynamic stresses

Compact NSX circuit breakers can be connected indifferently with bare-copper, tinned-copper and tinned-aluminium conductors (flexible or rigid bars, cables). In the event of a short-circuit, thermal and electrodynamic stresses will be exerted on the conductors. They must therefore be correctly sized and held in place by supports.

Electrical connection points on switchgear devices (switch-disconnectors, contactors, circuit breakers, etc.) should not be used for mechanical support. Any partition between upstream and downstream connections of the device must be made of non-magnetic material.