



inserts:	page:
CD .....	128 poles + ⊕ 61
CDD .....	216 poles + ⊕ 74
CDS .....	84 poles + ⊕ 83
CSH .....	48 poles + ⊕ 96
CNE, CSE .....	48 poles + ⊕ 109
CCE .....	48 poles + ⊕ 115
CSS .....	48 poles + ⊕ 127
CTSE (16A) *) .....	48 poles + ⊕ 135
CQE .....	92 poles + ⊕ 143
CMCE .....	20+4 (aux) poles + ⊕ 156
CME .....	20+4 (aux) poles + ⊕ 157
CMSH .....	20+4 (aux) poles + ⊕ 157
CMCE .....	32+4 (aux) poles + ⊕ 160
CME .....	32+4 (aux) poles + ⊕ 161
MIXO .....	6 + 6 modules 179-215

\*) can be used only in bulkhead mounting housings

insert centre distance: 2 x (104 x 27) mm

**bulkhead and surface mounting enclosures with single lever**



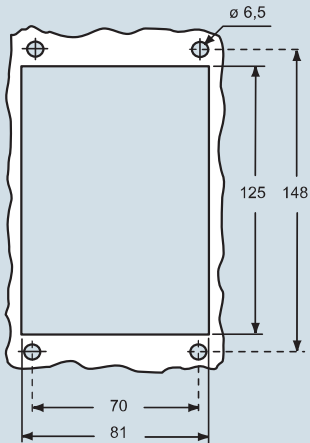
**hoods with 2 pegs**



description	part No.	entry Pg	part No.	entry M	part No.	entry Pg	part No.	entry M
bulkhead mounting enclosures with lever	CHI 48 L	—						
bulkhead mounting enclosures with lever and cover	CHI 48 LS	—						
surface mounting enclosures with lever and cover	CHP 48 LS29	29 x 2	MHP 48 LS40	40 x 2				
surface mounting enclosures with lever and cover	CHP 48 LS	36 x 2	MHP 48 LS50	50 x 2				
with pegs, side entry					CHO 48 L29	29	MHO 48 L32	32
with pegs, side entry					CHO 48 L	36	MHO 48 L40	40
with pegs, side entry					CHO 48 L42	42	MHO 48 L50	50
with pegs, side entry, without adaptor *					CFO 48 L29	29	MFO 48 L32	32
with pegs, side entry, without adaptor *					CFO 48 L	36	MFO 48 L40	40
with pegs, side entry, without adaptor *					CFO 48 L42	42	MFO 48 L50	50
with pegs, top entry					CHV 48 L29	29	MHV 48 L32	32
with pegs, top entry					CHV 48 L	36	MHV 48 L40	40
with pegs, top entry					CHV 48 L42	42	MHV 48 L50	50
with pegs, top entry, without adaptor *					CFV 48 L29	29	MFV 48 L32	32
with pegs, top entry, without adaptor *					CFV 48 L	36	MFV 48 L40	40
with pegs, top entry, without adaptor *					CFV 48 L42	42	MFV 48 L50	50

\* enclosure without adaptor, threaded on the body, to be used only with a complete cable gland.

panel cut-out for bulkhead mounting housings in mm



**NB:**  
The enclosures ensure IP66 protection (or IP65 for hinged cover versions) rating when mated and locked with the closing levers.

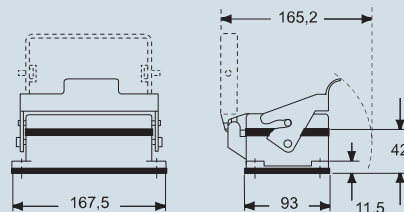
**CUUS** Type 4/4X/12



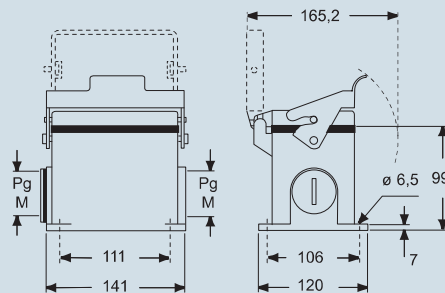
dimensions shown are not binding and may be changed without notice

dimensions in mm

**CHI L - LS**

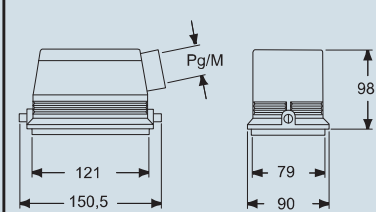


**CHP LS and MHP LS**

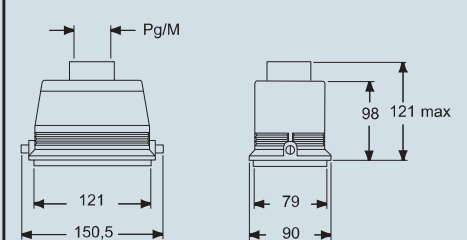


dimensions in mm

**CHO/CFO L and MHO/MFO L**



**CHV/CFV L and MHV/MFV L**



C-TYPE - size 77.62