

# Photoelectrics Accessories Right Angle Reflector, M18

**CARLO GAVAZZI**



- Right angle reflector turns sensing direction 90° of M18 cylindrical photoelectric sensors
- To be used for: diffuse reflective, retro-reflective, polarized retro-reflective and through beam sensors

## Type Selection

Ordering number

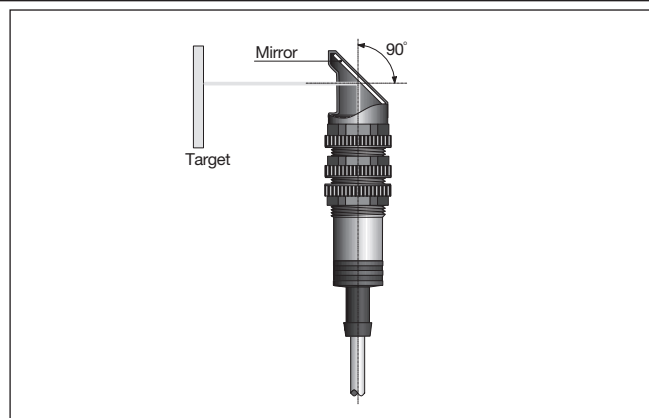
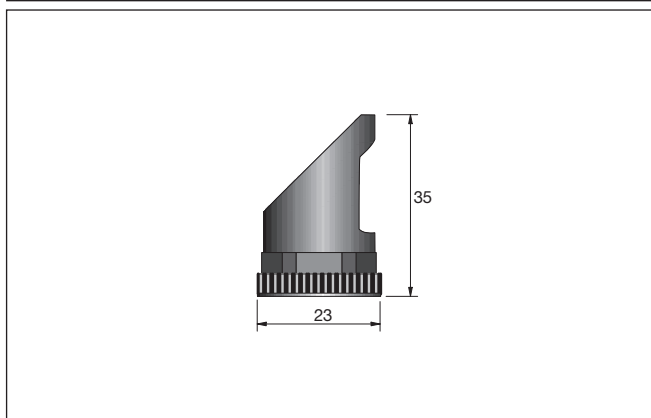
APA18-RAR

## Ordering Key

APA 18-RAR

Type

## Dimensions



## Technical Specifications

Reduction factors

$$S_r = \frac{(S_n - 2) \times 80}{100}$$

$S_r$  = distance in cm

$S_n$  = nominal sensing distance in cm

Material

ABS, black