

■ SHEATH TO BOX COUPLINGS - IP65

Thread	Sheet Ø (mm)	Fixing hole Ø (mm)	Overall Ø (mm)	Φ	TUBE Series	
					NORMAL	WITH BUSH
PG11	12	18-20	25	50/1200	864.601	864.0601
PG13.5	12	20-22	25	50/1200	864.603	864.0603
	16	20-22	30	50/800	864.605	864.0605
PG16	16	22-24	30	50/800	864.606	864.0606
	20	28-30	34	50/400	864.607	864.0607
PG29	25	36-38	41	25/300	864.609	864.0609
PG36	32	46-50	56	25/200	864.611	864.0611(*)
	10			50/1200	864.651	-
M20x1.5	12			50/1200	864.653	864.0653
	16			50/800	864.655	864.0655
M25x1.5	20			50/400	864.657	864.0657
	25			25/300	864.659	864.0659
M40x1.5	32			25/200	864.661	864.0661
M50x1.5	40			15/120	864.663	864.0663
M63x1.5	50			10/80	864.665	864.0665

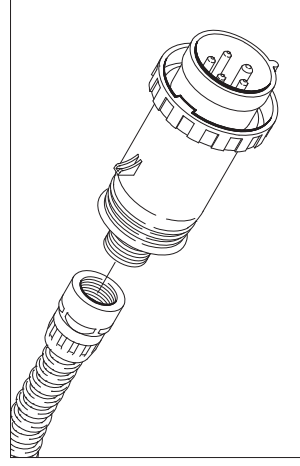
(*) Φ = 20/160

- Supplied complete with threaded ring nut and gasket.

■ SHEATH TO EUREKA COUPLING - IP65

Ø Sheat (mm)	Metric thread	EUREKA Series	Φ	TUBE Series	
20	M27x1.5	16A 2P+E	10/80		864.920
		16A 3P+E			
22	M32x1.5	16A 3P+N+E	10/80		864.922
		32A 2P+E			
		321A 3P+E			
20	M36x1.5	32A 3P+N+E	10/80	864.925	
28		321A 3P+E	10/80	864.928	

- For connecting flexible conduit and EUREKA series plugs and connectors.



Flexible conduit to EUREKA coupling