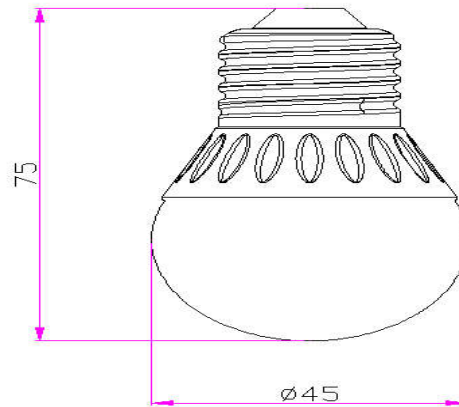


G45 LED BULBS

ITEM NO: VT-1830 E27 4W



Item No:	VT1830
SKU Codes	4160:3000K
Type	G45
Base	E27
Real Watts	4W
EQ. Watts	30W
Voltage	170-240V
Input Frequency	50Hz
Input Current	37ma
Input Efficiency	80lm/w
Lumen(lm)	320lm
PF	>0.5
RA	>80
Color Temperature	3000K,4500K,6000K
Beam Angle	200'D
LED Chip	SMD
LED Qty	10
Driver	Resistance Capacity Decompression
Protection Class	IP20
Body Material	Plastic Clad Aluminum
Dimmable	No
Unit size	45mm*75mm
Unit Weight	28gms
Life Time	20000hrs
Operation Temperature	-25 ~50'C
Applicable Environment	Indoor Lighting, Used in Home down light,

Instruction Manual :

Installing please following below steps:

1. Please note to cut off the power supply before replacing the lamp to prevent electric shock or lamp burning, choose to install to correspondingly lamp holders
2. When try to tighten or take off the bulb, please clench radiator body by finger as shown below :



3. When need to take off the bulb ,please wait 20minutes after turning off, so as not to burn your fingers