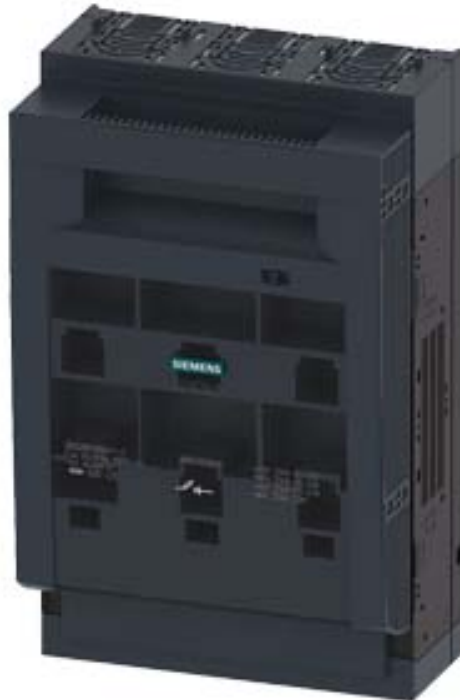


SENTRON, fuse switch disconnecter 3NP1, 3-pole, NH1, 250 A, for assembly and installation on mounting plate, Flachanschluss, cover level 70mm



Model		
product brandname		SENTRON
Product designation		3NP1 fuse switch disconnecter
Design of the product		cover level 70 mm
Design of the load switch / Strip form		No
Type of the driving mechanism / motor drive		No

General technical data		
Number of poles		3
Size of disconnecting link		1 and 0
Size of fuse link		NH0, NH1
Continuous current / at 35 °C / rated value	A	250
Let-through current / with closed switch / maximum permissible	kA	32
cut-off value $I^{**2}t_{max.} / 500 V$	A <sup>2</sup> ·s	780 000
Power factor		
• at AC-22 B		0.65
• at AC-23 B		0.45
• with capacitive load		-0.25
circuit-breaker / Design		3NP11

<b>Mechanical service life (switching cycles) / typical</b>		1 600
<b>Fuse system</b>		LV HRC fuse
<b>Voltage</b>		
Insulation voltage / rated value	V	690
<b>Power factor / at AC-21 B</b>		0.95
Surge voltage resistance / rated value	kV	8
<b>Protection class</b>		
<b>Protection class IP</b>		
• with closed switch / with cover or cable lug cover		IP40
• with closed switch / without cover or cable lug cover		IP30
• on the front		IP40
• open		IP20
<b>Dissipation</b>		
<b>Power loss [W]</b>		
• for rated value of the current / at AC / in hot operating state / per pole	W	7.66
• maximum	W	23
<b>Electricity</b>		
<b>Continuous current</b>		
• rated value	A	250
• at 40 °C / rated value	A	245
• at 45 °C / rated value	A	240
• at 50 °C / rated value	A	233
• at 55 °C / rated value	A	233
<b>Let-through current / with high-speed activation / maximum permissible</b>	kA	25
<b>Let-through current / I<sub>c</sub> / maximum permissible</b>		
• 400 V	A	32 000
• 500V	A	32 000
<b>cut-off value I<sup>2</sup>t,max. / 400 V</b>	A <sup>2</sup> ·s	780 000
<b>Main circuit</b>		
<b>Operating voltage</b>		
• at AC / rated value / maximum	V	690
• at DC / rated value	V	440
• at DC / rated value / maximum	V	440
<b>Operating current / with capacitive load</b>		
• at 400 V / maximum	A	72
• at 500 V / maximum	A	55

## Suitability

### Suitability for use

• Main switch	No
• switch disconnecter	Yes
• EMERGENCY OFF switch	No
• safety switch	Yes
• maintenance/repair switch	Yes

## Product details

Product feature / interlock	Yes
-----------------------------	-----

### Product component

• Trip indicator	No
• Phase failure monitoring	No
• undervoltage release	No
• undervoltage release with leading contact	No

Product feature / sealable	Yes
----------------------------	-----

### Product extension

• Auxiliary switch	Yes
• optional	
— locking capability	Yes
— motor drive	No
— Phase failure monitoring	Yes
— fuse monitoring	Yes
— Voltage trigger	No
— Overvoltage protection monitoring	Yes

## Product function

### Product function

• fuse monitoring	No
• Overvoltage protection monitoring	No

## Short circuit

### Conditional short-circuit current (I<sub>q</sub>)

• rated value	kA	80
• at AC / at 500 V / with high-speed activation / rated value	kA	80
• at AC / at 690 V / with high-speed activation / rated value	kA	50
• with closed switch / at AC / at 500 V / rated value	kA	120
• with closed switch / at AC / at 690 V / rated value	kA	100

## Connections

Arrangement of electrical connectors / for main current circuit		other
Connectable conductor cross-section / for main contacts		
• single or multi-stranded / minimum	mm <sup>2</sup>	16
• single or multi-stranded / maximum	mm <sup>2</sup>	150
• stranded / minimum	mm <sup>2</sup>	16
• stranded / maximum	mm <sup>2</sup>	150
<b>Tightening torque / with screw-type terminals</b>		
• minimum	N·m	10
• maximum	N·m	12
Type of electrical connection / for main current circuit		busbar connection

### Mechanical Design





<b>Height</b>	mm	306
<b>Width</b>	mm	183.7
<b>Depth</b>	mm	115
<b>Mounting type</b>		mounting plate
<b>Mounting type</b>		
• floor mounting		Yes
• front mounting		No
• front mounting with 4-hole attachment		No
• front mounting with central attachment		No
• rail mounting		No
<b>Net weight</b>	kg	2.19

### Environmental conditions

<b>Degree of pollution</b>		3
<b>Ambient temperature</b>		
• during operation / minimum	°C	-25
• during operation / maximum	°C	55
• during storage / minimum	°C	-50
• during storage / maximum	°C	80

### Certificates

<b>Equipment marking</b>		
• acc. to DIN EN 61346-2		Q
• acc. to DIN EN 81346-2		Q

General Product Approval	Declaration of Conformity	Test Certificates	Shipping Approval
 CCC	 UL	 EG-Konf.	<div style="display: flex; justify-content: space-around;"> <div> <a href="#">spezielle Prüfbescheinigung n</a> </div> <div> <a href="#">Typprüfbescheinigung/ Werkzeugnis</a> </div> </div>  LRS

## Further information

### Information- and Downloadcenter (Catalogs, Brochures,...)

<http://www.siemens.com/lowvoltage/catalogs>

### Industry Mall (Online ordering system)

<https://eb.automation.siemens.com/mall/en/WW/Catalog/Product/3NP1143-1DA10>

### Service&Support (Manuals, Certificates, Characteristics, FAQs,...)

<http://support.automation.siemens.com/WW/view/en/3NP1143-1DA10/all>

### Image database (product images, 2D dimension drawings, 3D models, device circuit diagrams, ...)

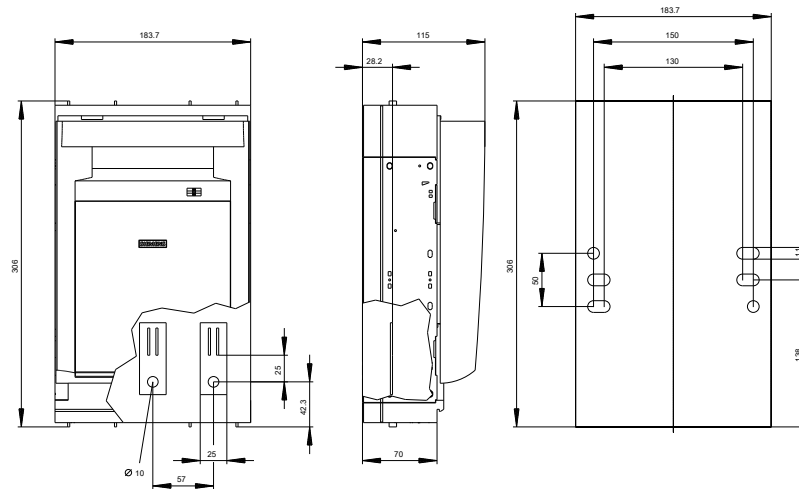
[http://www.automation.siemens.com/bilddb/cax\\_en.aspx?mlfb=3NP1143-1DA10](http://www.automation.siemens.com/bilddb/cax_en.aspx?mlfb=3NP1143-1DA10)

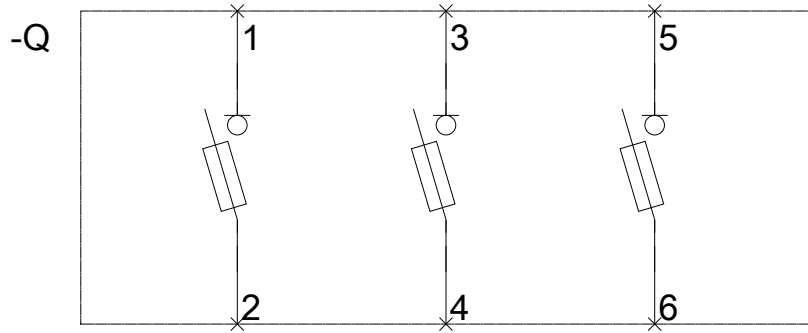
### CAX-Online-Generator

<http://www.siemens.com/cax>

### Tender specifications

<http://ausschreibungstexte.siemens.com/tiplv>





last modified:

10/17/2016