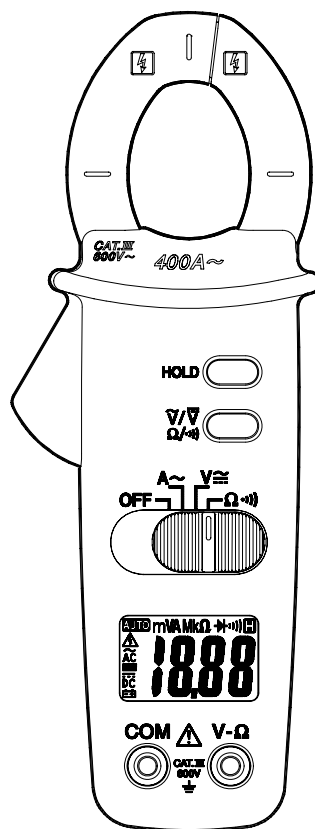




NI 03 Clampmeter









⚠ Safety Information

To ensure safe operation and service of the Meter, follow these instructions. Failure to observe warnings can result in severe **injury** or **death**.

- Avoid working alone so assistance can be rendered.
- Do not use test leads or the Meter if they look damaged.
- Do not use the Meter if the Meter is not operating properly or if it is wet.
- Use the Meter only as specified in the Instruction manual or the protection by the Meter might be impaired.
- Individual protective device must be used if hazardous live parts in the installation where the measurement is to be carried out could be accessible.

Symbols as marked on the Tester and Instruction manual

	Risk of electric shock
	See instruction manual
	Equipment protected by double or reinforced insulation
	Battery
	Earth
	Conforms to EU directives

Maintenance

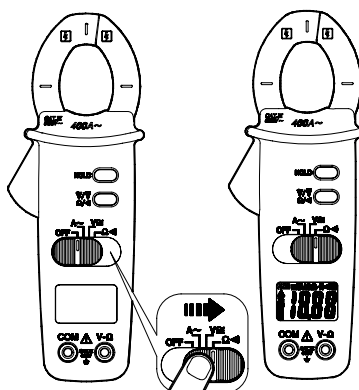
Do not attempt to repair this Clamp Meter. It contains no user-serviceable parts. Repair or serving should only be performed by qualified personal.

Cleaning

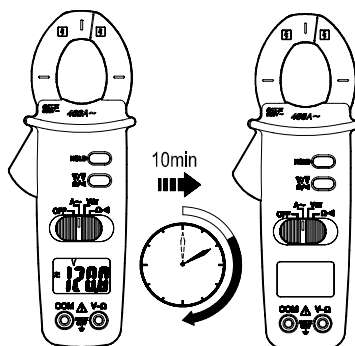
Periodically wipe the case with a dry cloth and detergent do not use abrasives or solvents.



Power On / Off



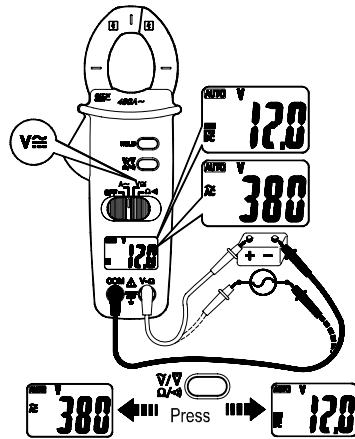
Auto Power Off



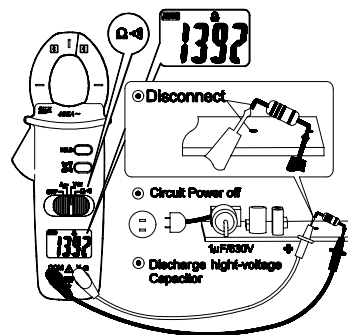
The meter will automatically shut itself off after approximately 10 minutes after power on.



ACV / DCV

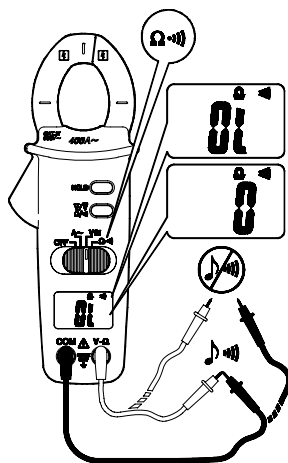


Resistance

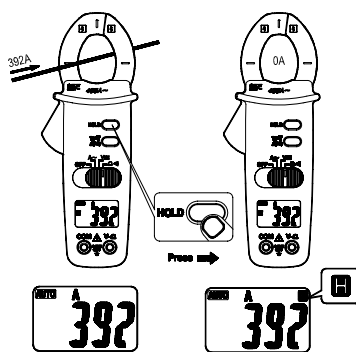




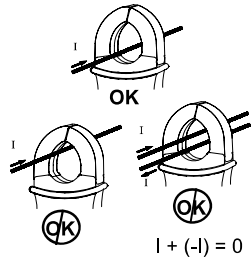
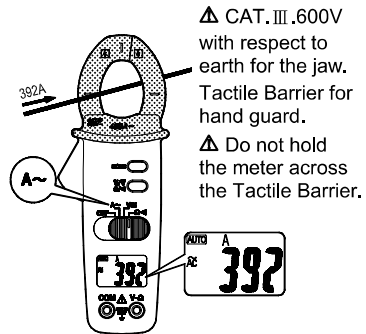
Continuity



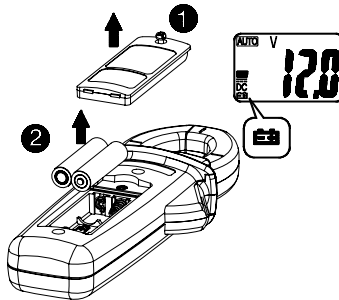
Data Hold



ACA



Battery Replacement



Specifications

1-1 General Specifications

LCD display digits :

3 1/2 digit large scale LCD readout.

Display count : 2000 counts.

Measuring rate : 1.5 times / sec.

Overrange display : "OL" is displayed for "Ω" functions, shows the real value for "A" and "V" function.

Automatic power off time :

Approximately 10 minutes after power on.

Low battery indicator : ⚡ is displayed.

Power requirement : 1.5V x 2 batteries

Battery life : ALKALINE 200 hours

1-2 Environmental Conditions

Indoor Use.

Calibration : One year calibration cycle.

Operating temperature :

0°C ~ 30°C (\leq 80% RH)

30°C ~ 40°C (\leq 75% RH)

40°C ~ 50°C (\leq 45%RH)

Storage temperature : -20 to +60°C, 0 to 80% RH (batteries not fitted).

Overvoltage category :

IEC 61010-1 600V CAT. III.

CAT Application field

I	The circuits are not connected to mains.
II	The circuits are directly connected to Low-voltage installation.
III	The building installation.
IV	The source of the Low-voltage installation.

Operating altitude : 2000m (6562 ft)

Conductor Size : 27mm diameter.

Pollution degree : 2

EMC : EN 61326-1

Shock vibration : Sinusoidal vibration per MIL-T-28800E (5 ~ 55 Hz, 3g maximum).

Drop Protection : 4 feet drop to hardwood on concrete floor.

Dimensions (W x H x D) :

56mm x 188mm x 28mm

Weight : 225g including battery.

Accessories : Battery (installed), Carrying case, Test lead and User manual.

1-3 Electrical Specifications

Accuracy is \pm (% reading + number of digits) at 23°C \pm 5°C < 80%RH.

Temperature coefficient :

Add 0.2 x (Specified accuracy) / °C, < 18°C, > 28°C .

DC / AC Volts

Range	DC Accuracy	AC Accuracy
200.0V	\pm (1.0% + 2dgt)	\pm (1.5% + 5dgt) 50Hz ~ 500Hz
600V		

Over voltage protection : DC / AC 600V

Input Impedance :

10M Ω // less than 100pF.

CMRR / NMRR :

(Common Mode Rejection Ratio)
(Normal Mode Rejection Ratio)

V_{AC} : CMRR > 60dB at DC, 50Hz / 60Hz

V_{DC} : CMRR > 100dB at DC, 50Hz / 60Hz
NMRR > 50dB at DC, 50Hz / 60Hz

AC Conversion Type :

Average sensing rms indication.

AC Current

Function	Range	Accuracy
A_{\sim} (50~60Hz)	0.0 ~ 40.0A	\pm (1.9% + 10 dgt)
	40.0 ~ 200.0A	\pm (1.9% + 5 dgt)
	201 ~ 400A	\pm (1.9% + 5 dgt)

Overload protection : 600 Arms

AC Conversion Type :

Average sensing rms indication.

Position Error : \pm 1.5% of reading.



Resistance

Range	Accuracy
200.0 Ω *3	$\pm(1.0\% + 5 \text{ dgt})$ *2
2.000 K Ω *3	$\pm(0.7\% + 2 \text{ dgt})$
20.00 K Ω *3	
200.0 K Ω *3	
2.000M Ω *3	$\pm(1.0\% + 2 \text{ dgt})$
20.00 M Ω	$\pm(1.9\% + 5 \text{ dgt})$ *1

Overload protection : 600V rms

Open circuit Voltage : -1.3V approx.

* 1 < 100 dgt rolling.

* 2 < 10 dgt rolling.

* 3 The maximum LCD reading is 1400 counts.

Continuity : Internal beeper activates if the resistance of the circuit under test is less than 20 Ω . It will then turn off if the resistance is increased beyond 50 Ω .

Response time is approximately 50m sec.

Overload protection : 600V rms.





Limited Warranty

This Meter is warranted to the original purchaser against defects in material and workmanship for 12 months from the date of production. During this warranty period, manufacturer will, at its option, replace or repair the defective unit, subject to verification of the defect or malfunction.

This warranty does not cover disposable batteries, or damage from abuse, neglect, accident, unauthorized repair, alteration, contamination, or abnormal conditions of operation or handling.

Any implied warranties arising out of the sale of this product, including but not limited to implied warranties of merchantability and fitness for a particular purpose, are limited to the above. The manufacturer shall not be liable for loss of use of the instrument or other incidental or consequential damages, expenses, or economic loss, or for any claim or claims for such damage, expense or economic loss. Some states or countries laws vary, so the above limitations or exclusions may not apply to you.







Nieaf-Smitt B.V.
Vrieslantlaan 6, 3526 AA, Utrecht
P.O. Box 7023, 3502 KA, Utrecht,
The Netherlands
Tel.: +31 (0) 30 288 13 11
Fax: +31 (0) 30 289 88 16
E-mail: sales@nieaf-smitt.nl
Internet:
<http://www.nieaf-smitt.nl>
<http://www.nieaf-instruments.com>

