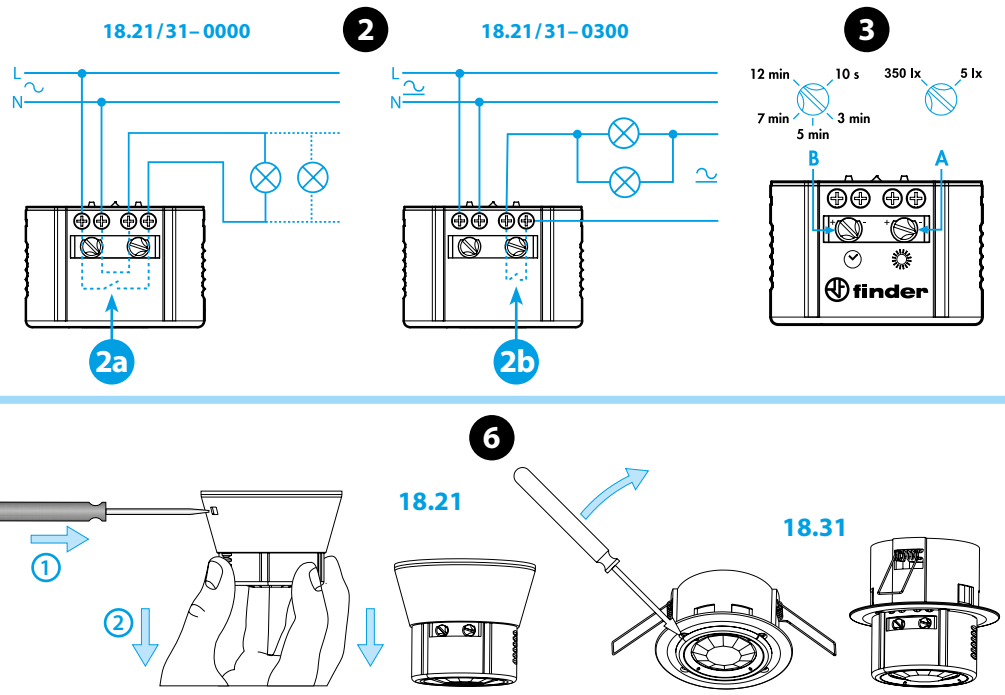
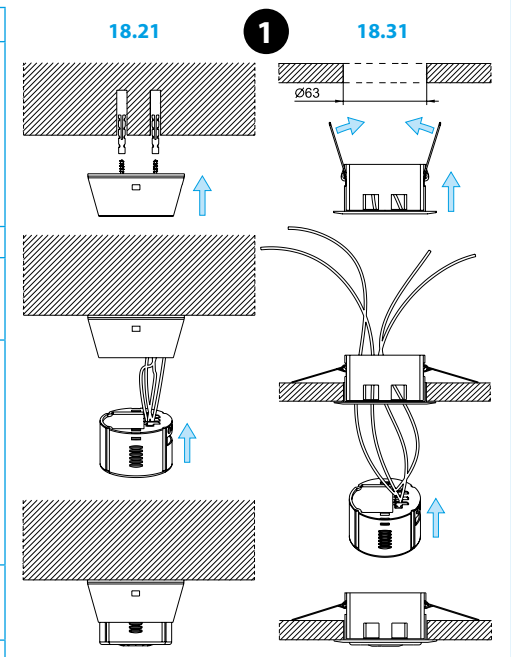


18.21



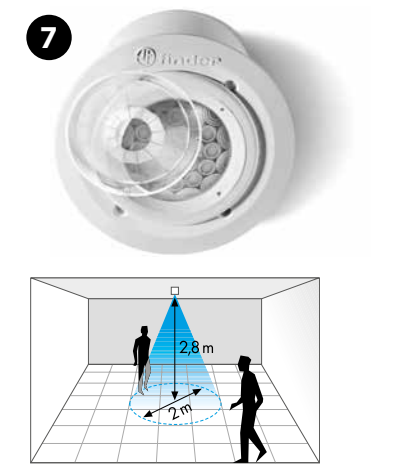
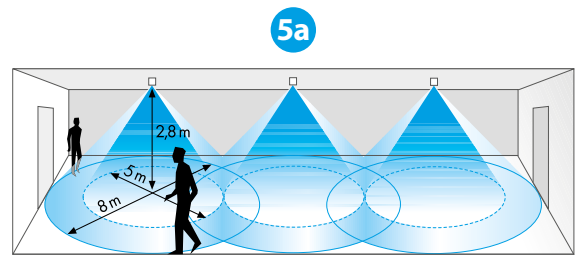
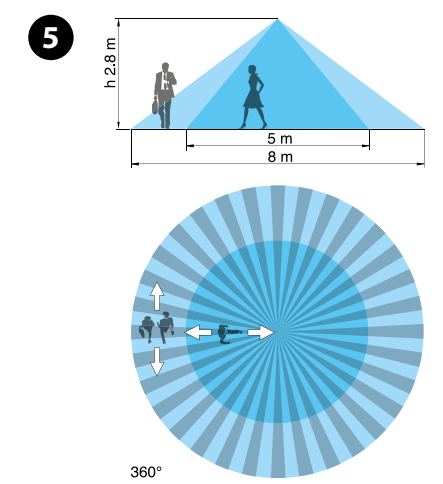
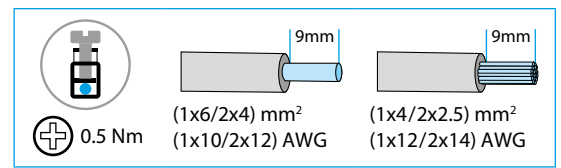
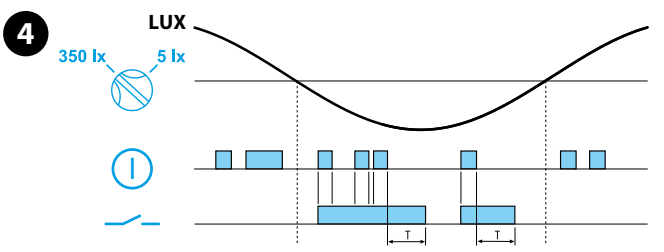
EN 60669 - 1 / EN 60669 - 2 - 1			
18.x1.8.230.0000 U_N (120...230)V AC (50/60 Hz) $U_{min} - U_{max}$ 96 V AC - 253 V AC	18.x1.8.230.0300 U_N (120...230)V AC (50/60 Hz) $U_{min} - U_{max}$ 96 V AC - 253 V AC		18.x1.0.024.0300 U_N 24 V AC (50/60 Hz) / DC $U_{min} - U_{max}$ (19.2 V - 26.4 V) AC/DC
	P _(AC/DC) 2 VA (50 Hz) / 1 W		
1 NO (SPST-NO) 10 A 120 V AC 10 A 230 V AC	1 NO (SPST-NO) 10 A 250 V AC		
	AC1 (230 V) 2300 VA AC15 (230 V) 450 VA	AC1 (230 V) 2500 VA AC15 (230 V) 450 VA	
(120 V AC) 500 W (230 V AC) 1000 W	(230 V) 1000 W		
(120 V AC) 200 W (230 V AC) 350 W	(230 V) 350 W		
CFL-LED (230 V) 300 W	CFL-LED (230 V) 300 W		
(-10...+50)°C			
IP40			

18.31



18.21-18.31 PIR DETECTOR FOR INTERNAL INSTALLATIONS

- 1 INSTALLATION SEQUENCE**
- 2 CONNECTION DIAGRAM**
2a-2b Internal connections
- 3 SETTINGS**
A: ambient light intervention threshold (5...350)lx
B: output on-pulse time (10s...12min)
NOTE
By adjusting the selector **A** to the maximum value the PIR will control the contact independent of the ambient light level
- 4 FUNCTION CHART**
① Detection of movement
— Output Contact
- 5 SIDE VIEW**
(Sensing area - Ceiling mounting)
5a Multiple installation
- 6 DISASSEMBLY**
- 7 ACCESSORIES**



NOTE

- Following the initial power-on, and power-on following a power interruption, the detector makes a hardware-software initialisation for approximately 30 seconds
- The versions with supply 24 V AC/DC are not suitable for the connection to a SELV circuit