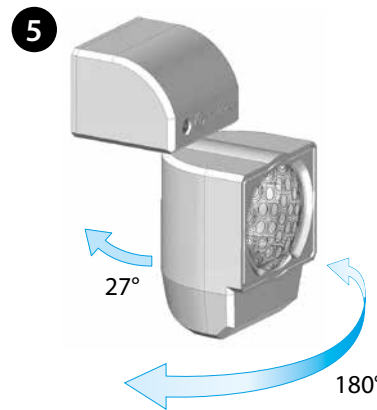
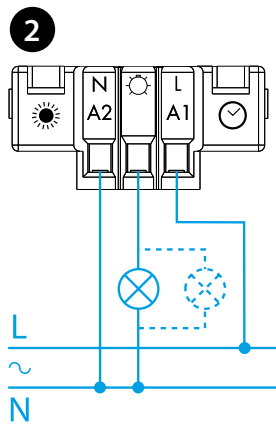




18.01

EN 60669 - 1 / EN 60669 - 2 - 1

18.01.8.230.0000 U_N (120...230)V AC (50/60 Hz) U_{min} 96 V AC U_{max} 253 V AC P 2.5 VA (50 Hz)			
1 NO (SPST-NO) 10 A 120 V AC μ		1 NO (SPST-NO) 10 A 230 V AC μ	
AC1	2300 VA	AC1	2300 VA
AC15 (120 V AC)	250 VA	AC15 (230 V AC)	450 VA
(120 V AC)	500 W	(230 V AC)	1000 W
(120 V AC)	200 W	(230 V AC)	350 W
CFL-LED (120 V AC)	150 W	CFL-LED (230 V AC)	300 W
(-10...+50)°C			
IP40			



ENGLISH

18.01 PIR DETECTOR FOR INTERNAL INSTALLATIONS

- 1 INSTALLATION SEQUENCE**
- 1a Fix bracket
 - 1b Pass cable through sensor body and terminate **2**
 - 1c Slide sensor into bracket and secure cover
 - 1d Adjust sensor to required position and lock by tightening screw
 - 1e Adjust settings
 - 1f Secure terminal cover using screws

2 CONNECTION DIAGRAM

3 SETTINGS

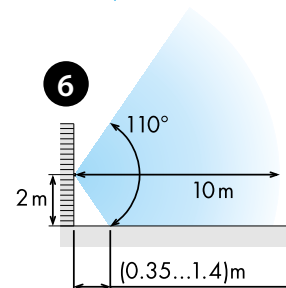
- A ambient light intervention threshold (5...350)lx
- B output on-pulse time (10 s...12 min)

4 FUNCTION CHART

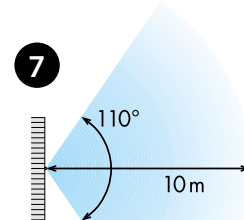
- Detection of movement
- Output Contact

5 MOUNTING AND ORIENTATION

6 SIDE VIEW
(wall mounting - sensing area)



7 PLAN VIEW
(wall mounting - sensing area)



NOTE

Following the initial power-on, and power-on following a power interruption, the detector makes a hardware-software initialisation for approximately 30 seconds.

